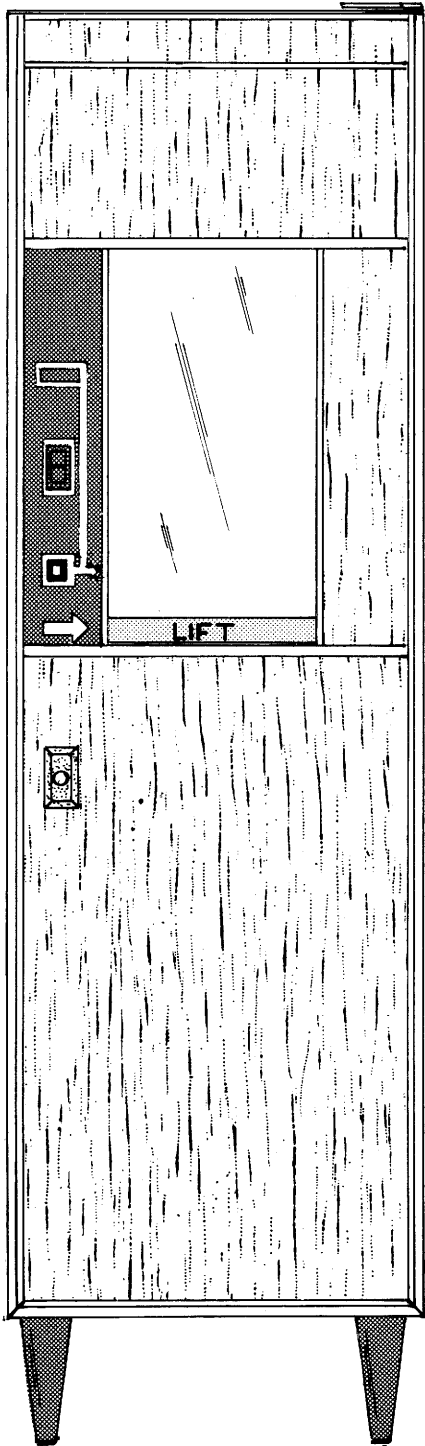


# COLD FOOD MERCHANDISER

## MODEL 3007



# PARTS MANUAL

JANUARY, 1990

P/N 4201941

# TABLE OF CONTENTS

---

GENERAL INFORMATION.....	1
ORDERING PROCEDURES.....	1
TERMS.....	2
RETURNS.....	2
LIMITATION OF LIABILITY.....	2
STYLING-PRESIDENTIAL WALNUT "A".....	3
STYLING-PRESIDENTIAL WALNUT "B".....	4
STYLING-IMPERIAL CROWN.....	5
STYLING-ROWE AWARD.....	6
STYLING-HONEYTONE TEAK.....	7
STYLING-RENAISSANCE BLUE.....	8
STYLING-HIGH TECH.....	9
LOOSE PARTS.....	10-11
HARNESSES.....	12
CONTROL BOX ASSY.....	13
COMPLETE DOOR ASSY.....	14-15
STACK ASSY. (FRONT).....	16-17
STACK ASSY. (BACK).....	18-19
CABINET ASSY. (FRONT).....	20-21
CABINET ASSY. (BACK).....	22
COMPLETE TRAY ASSY.....	23
REFRIGERATION ASSY.....	24-25
LATCH, SWITCH & SPRING ASSY'S.....	26-27
RACK, FLANGE & KICK PANEL.....	28-29

---

# GENERAL INFORMATION

Welcome to Selectivend, Inc., we offer you three convenient ways to order replacement parts. If you have any questions when placing your order, please call and we'll be happy to assist you. Please provide the following information when placing your order:

Quantity Required  
Part Number  
Description  
Vendor Model  
Serial Number

Shipping and Billing Address  
Preferred Method of Shipment  
Customer Account Number

---

## TO ORDER BY MAIL:

You may place your requirements for replacement parts by providing the necessary information as requested above, and mailing your order to:

Selectivend, Inc.  
P.O. Box 488  
Waukee, Iowa 50263

If you have any questions, please call (515) 247-3641, ask for Selectivend, Inc. and we will be happy to assist you.

Order forms are available upon request from Selectivend, Inc. or you may use your own purchase order form.

---

## TO ORDER BY FAX MACHINE:

**(515) 987-4447**

You may Fax your order for replacement parts by providing the necessary information as requested above, to Selectivend, Inc. by using our Fax (515) 987-4447.

If you have any questions, so indicate and we will respond via Fax, with your answer.

---

## TO ORDER BY PHONE:

**(515) 274-3641**

You may call in your order for replacement parts. Ask for Selectivend, Inc. Please provide the necessary information, as requested above, to allow us to provide you with prompt and courteous service.

If you have any questions, so indicate and we will be happy to assist you.

---

## **TERMS:**

- MINIMUM ORDER \$25.00. You may wish to inquire on prices of parts at the time of your order. If your order is less than the minimum, please check our catalog for other parts you may require to bring your order up to the \$25.00 minimum order.
- OPEN ACCOUNT with approved credit
- MASTER CARD — VISA — C.O.D.

If you have any questions, please call and we will be happy to assist you.

---

## **RETURNS:**

RESTOCKING CHARGE 20%. A restocking charge of 20% will apply to merchandise accepted by Selectivend for return, except items processed as a warranty.

All items returned must be accompanied by a "material return tag" clearly stating the reason for the return. Returns are to be shipped freight prepaid to Selectivend, Inc., Highway 6 and Route 22, Waukee, Iowa 50263. (Tags are available upon request from Selectivend.)

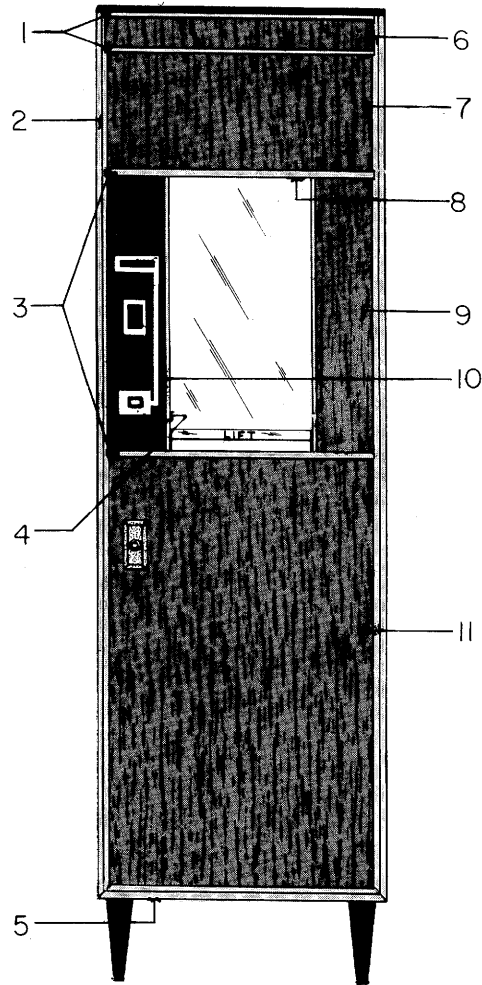
If you have any questions regarding returns, please call Selectivend, Inc. (515) 274-3641, we will be happy to assist you.

---

## **LIMITATION OF LIABILITY:**

Selectivend, Inc. shall not be liable for any injury, loss or damage, whether direct, incidental or consequential arising out of the use of or the inability to use any part, parts or products sold by Selectivend, Inc. The remedies of the buyer set forth herein are exclusive, and the liability of Selectivend, Inc. with respect to any contract or sale or anything done in connection therewith, whether in contract, in tort, under any warranty, or otherwise, shall not, except as expressly provided herein, exceed the price of the part, parts or products on which such liability is based. Any statements or representations about the parts or product, other than those contained herein, do not constitute warranties and shall not be relied on by the buyer and shall have no force or effect unless contained in a written agreement signed by officers of Selectivend, Inc.

# STYLING-PRESIDENTIAL WALNUT "A" 1210747-001

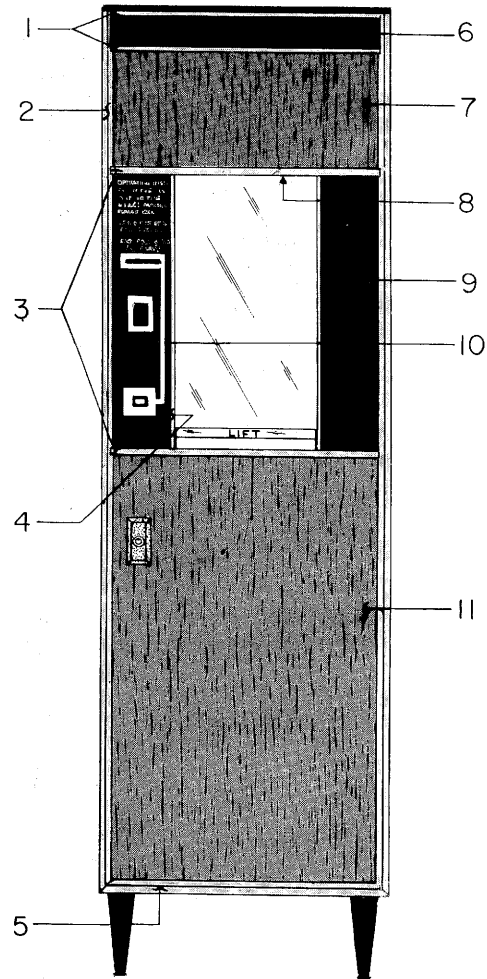


ITEM	PART NUMBER	QTY.	PART DESCRIPTION
—	1210747-001	1	PRESIDENTIAL WALNUT STYLING PACKAGE
1	8362965-029	1	TOP PLATE
—	4050513	2	TWIN WHIZ NUT
—	4050712	2	#10-16 X 3/8 T-BOLT
2	4201117-002	2	SIDE TRIM
—	4201116	10	#10-16 X 3/8 TRIM HEAD SCREW (SMS)
3	8383670-011	2	DISPLAY TRIM
—	4022406-003	2	DISPLAY TRIM MOUNTING BRACKET
4	8382520	2	SIDE WINDOW TRIM
5	4201117-006	1	LOWER TRIM
—	4201116	3	#10-16 X 3/8 TRIM HEAD SCREW (SMS)
6	4201119-022	1	PRESIDENTIAL WALNUT
7	4201315-001	1	PRESIDENTIAL WALNUT
8	4022406-003	1	INNER WINDOW TRIM
9	4201314-001	1	PRESIDENTIAL WALNUT
10	4201238	1	OPERATING INSTRUCTIONS
11	4201316-001	1	PRESIDENTIAL WALNUT

\* ALL STYLING PACKAGES NOT AVAILABLE

# STYLING-PRESIDENTIAL WALNUT "B"

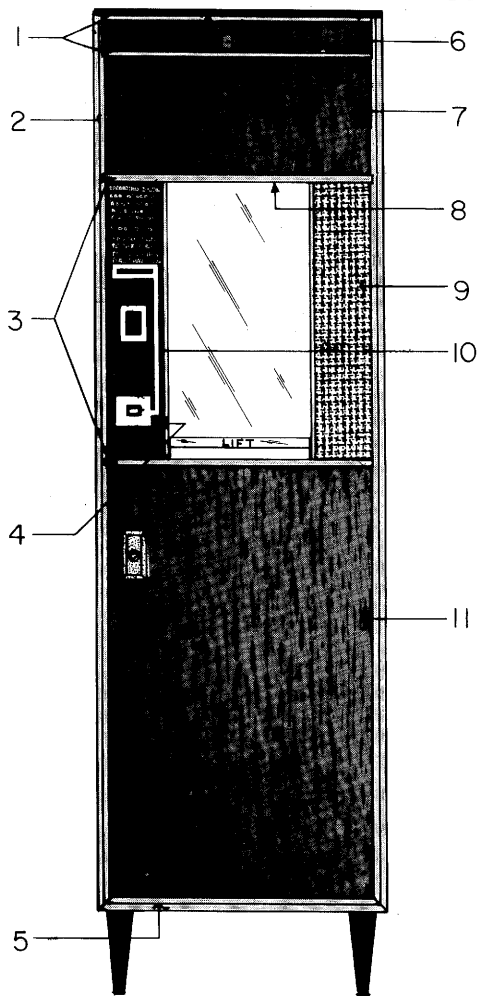
## 1210747-008



ITEM	PART NUMBER	QTY.	PART DESCRIPTION
—	1210747-008	1	PRESIDENTIAL WALNUT STYLING PACKAGE
1	8362965-029	1	TOP PLATE
—	4050513	2	TWIN WHIZ NUT
—	4050712	2	#10-16 X 3/8 T-BOLT
2	4201117-002	2	SIDE TRIM
—	4201116	10	#10-16 X 3/8 TRIM HEAD SCREW (SMS)
3	8383670-011	2	DISPLAY TRIM
---	4022406-003	2	DISPLAY TRIM MOUNTING BRACKET
4	8382520	2	SIDE WINDOW TRIM
5	4201117-006	1	LOWER TRIM
---	4201116	3	#10-16 X 3/8 TRIM HEAD SCREW (SMS)
6	4201119-026	1	BLACK MOROCCO
7	4201315-001	1	PRESIDENTIAL WALNUT
8	4022406-003	1	INNER WINDOW TRIM
9	4201314-005	1	BLACK MOROCCO
10	4201238	1	OPERATING INSTRUCTIONS
11	4201316-001	1	PRESIDENTIAL WALNUT

\* ALL STYLING PACKAGES NOT AVAILABLE

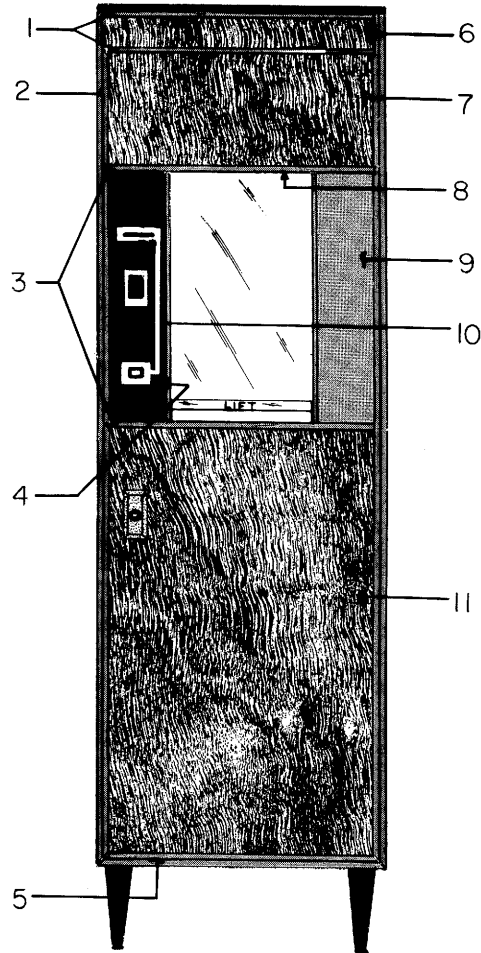
# STYLING-IMPERIAL CROWN 1210747-003



ITEM	PART NUMBER	QTY.	PART DESCRIPTION
—	1210747-003	1	IMPERIAL CROWN STYLING PACKAGE
1	8362965-029	1	TOP PLATE
—	4050513	2	TWIN WHIZ NUT
—	4050712	2	#10-16 X 3/8 T-BOLT
2	4201117-002	2	SIDE TRIM
—	4201116	10	#10-16 X 3/8 TRIM HEAD SCREW (SMS)
3	8383670-011	2	DISPLAY TRIM
—	4022406-003	2	DISPLAY TRIM MOUNTING BRACKET
4	8382520	2	SIDE WINDOW TRIM
5	4201117-006	1	LOWER TRIM
—	4201116	3	#10-16 X 3/8 TRIM HEAD SCREW (SMS)
6	4201119-022	1	PRESIDENTIAL WALNUT
7	4201315-001	1	PRESIDENTIAL WALNUT
8	4022406-003	1	INNER WINDOW TRIM
9	4201314-003	1	PORT AU PRINCE
10	4201238	1	OPERATING INSTRUCTIONS
11	4201316-001	1	PRESIDENTIAL WALNUT

\* ALL STYLING PACKAGES NOT AVAILABLE

# STYLING-ROWE AWARD 1210747-002

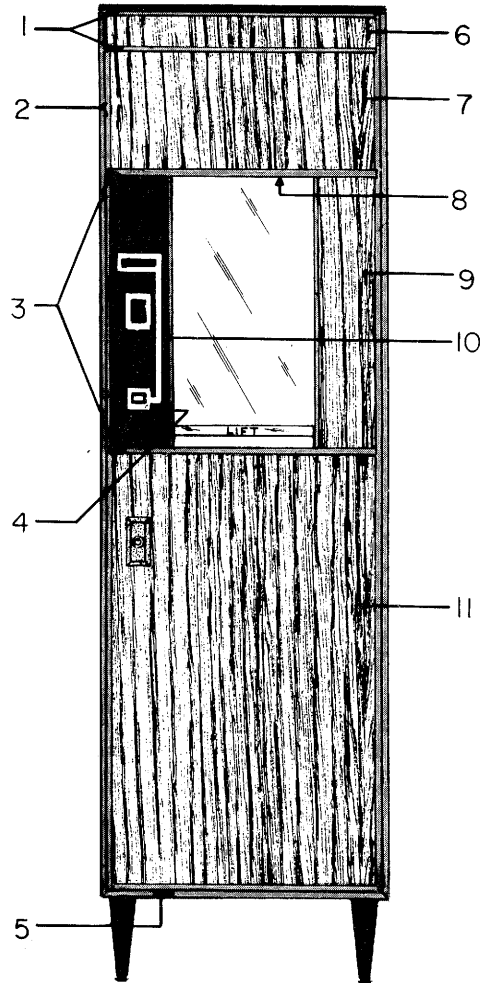


ITEM	PART NUMBER	QTY.	PART DESCRIPTION
—	1210747-002	1	ROWE AWARD STYLING PACKAGE
1	8362965-029	1	TOP PLATE
—	4050513	2	TWIN WHIZ NUT
—	4050712	2	#10-16 X 3/8 T-BOLT
2	4201117-002	2	SIDE TRIM
—	4201116	10	#10-16 X 3/8 TRIM HEAD SCREW (SMS)
3	8383670-011	2	DISPLAY TRIM
—	4022406-003	2	DISPLAY TRIM MOUNTING BRACKET
4	8382520	2	SIDE WINDOW TRIM
5	4201117-006	1	LOWER TRIM
—	4201116	3	#10-16 X 3/8 TRIM HEAD SCREW (SMS)
6	4201119-023	1	ROSEWOOD
7	4201315-002	1	ROSEWOOD
8	4022406-003	1	INNER WINDOW TRIM
9	4201314-004	1	SILVER SAFARI
10	4201238	1	OPERATING INSTRUCTIONS
11	4201316-002	1	ROSEWOOD

\* ALL STYLING PACKAGES NOT AVAILABLE



# STYLING-HONEYTONE TEAK 1210747-006

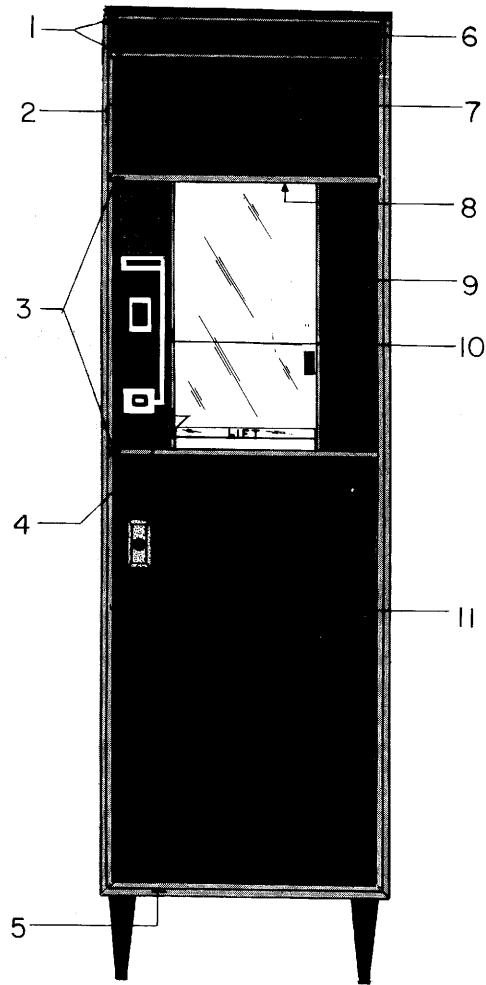


ITEM	PART NUMBER	QTY.	PART DESCRIPTION
—	1210747-006	1	HONEYTONE TEAK STYLING PACKAGE
1	8362965-029	1	TOP PLATE
—	4050513	2	TWIN WHIZ NUT
—	4050712	2	#10-16 X 3/8 T-BOLT
2	4201117-002	2	SIDE TRIM
—	4201116	10	#10-16 X 3/8 TRIM HEAD SCREW (SMS)
3	8383670-011	2	DISPLAY TRIM
—	4022406-003	2	DISPLAY TRIM MOUNTING BRACKET
4	8382520	2	SIDE WINDOW TRIM
5	4201117-006	1	LOWER TRIM
—	4201116	3	#10-16 X 3/8 TRIM HEAD SCREW (SMS)
6	4201119-030	1	HONEYTONE TEAK
7	4201315-008	1	HONEYTONE TEAK
8	4022406-003	1	INNER WINDOW TRIM
9	4201314-008	1	HONEYTONE TEAK
10	4201238	1	OPERATING INSTRUCTIONS
11	4201316-008	1	HONEYTONE TEAK

\* ALL STYLING PACKAGES NOT AVAILABLE

# STYLING-RENAISSANCE BLUE

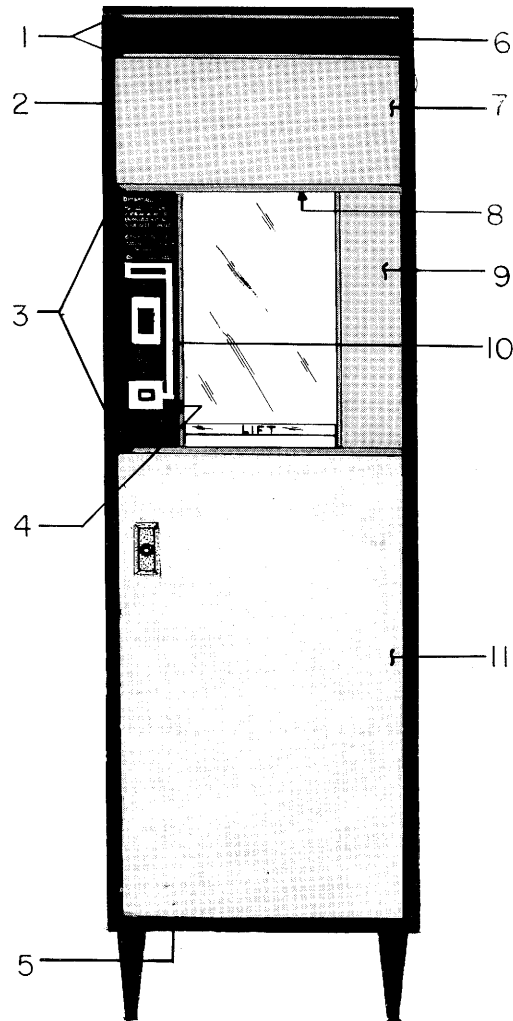
## 1210747-005



ITEM	PART NUMBER	QTY.	PART DESCRIPTION
—	1210747-005	1	RENAISSANCE BLUE STYLING PACKAGE
1	8362965-029	1	TOP PLATE
—	4050513	2	TWIN WHIZ NUT
—	4050712	2	#10-16 X 3/8 T-BOLT
2	4201117-002	2	SIDE TRIM
—	4201116	10	#10-16 X 3/8 TRIM HEAD SCREW (SMS)
3	8383670-011	2	DISPLAY TRIM
---	4022406-003	2	DISPLAY TRIM MOUNTING BRACKET
4	8382520	2	SIDE WINDOW TRIM
5	4201117-006	1	LOWER TRIM
---	4201116	3	#10-16 X 3/8 TRIM HEAD SCREW (SMS)
6	4201119-029	1	RENAISSANCE BLUE
7	4201315-009	1	RENAISSANCE BLUE
8	4022406-003	1	INNER WINDOW TRIM
9	4201314-009	1	RENAISSANCE BLUE
10	4201238	1	OPERATING INSTRUCTIONS
11	4201316-009	1	RENAISSANCE BLUE

\* ALL STYLING PACKAGES NOT AVAILABLE

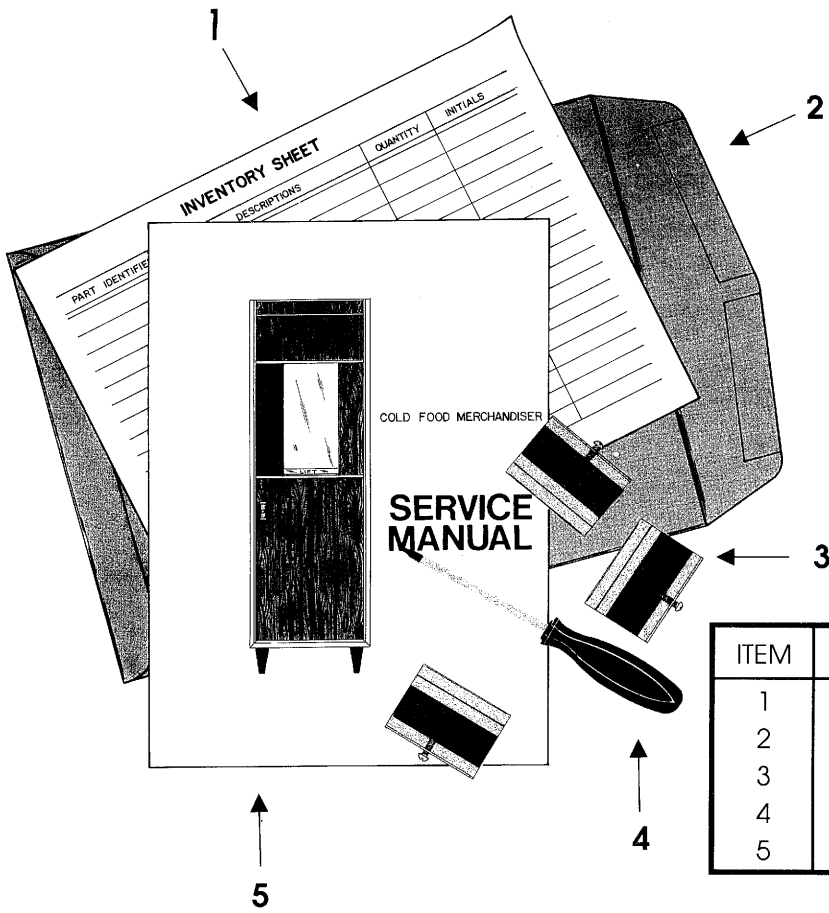
# STYLING-HIGH TECH 1210747-004



ITEM	PART NUMBER	QTY.	PART DESCRIPTION
—	1210747-004	1	HIGH TECH STYLING PACKAGE
1	8362965-029	1	TOP PLATE
—	4050513	2	TWIN WHIZ NUT
—	4050712	2	#10-16 X 3/8 T-BOLT
2	4201117-009	2	SIDE TRIM
—	4201116	10	#10-16 X 3/8 TRIM HEAD SCREW (SMS)
3	8383670-011	2	DISPLAY TRIM
---	4022406-003	2	DISPLAY TRIM MOUNTING BRACKET
4	8382520	2	SIDE WINDOW TRIM
5	4201117-013	1	LOWER TRIM
---	4201116	3	#10-16 X 3/8 TRIM HEAD SCREW (SMS)
6	4201119-026	1	BLACK MOROCCO
7	4201315-007	1	BRUSHED STAINLESS
8	4022406-003	1	INNER WINDOW TRIM
9	4201314-007	1	BRUSHED STAINLESS
10	4201238	1	OPERATING INSTRUCTIONS
11	4201316-007	1	BRUSHED STAINLESS

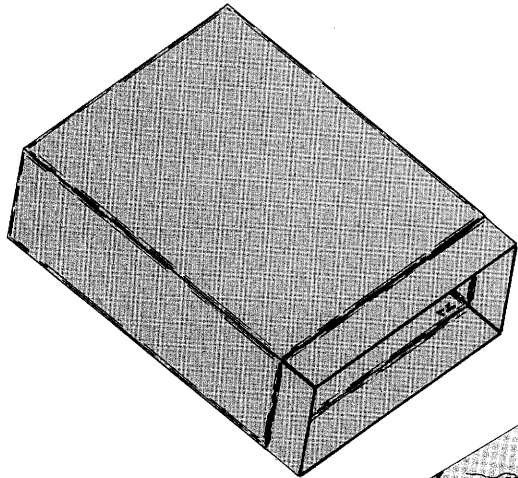
\* ALL STYLING PACKAGES NOT AVAILABLE

# LOOSE PARTS

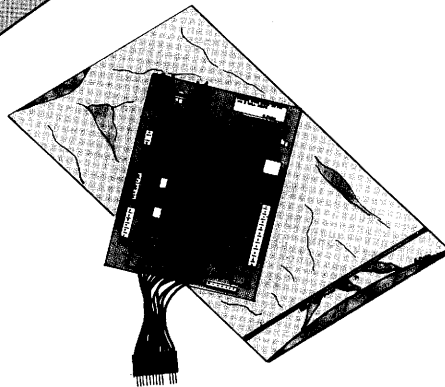


ITEM	PART NUMBER	QTY.	PART DESCRIPTION
1	4201733	1	INVENTORY SHEET
2	4020697	1	SERVICE ENVELOPE
3	1210809	3	TIE PLATE ASSY.
4	4201342	**	SCREWDRIVER
5	4201245	1	SERVICE MANUAL

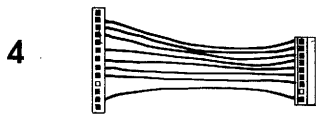
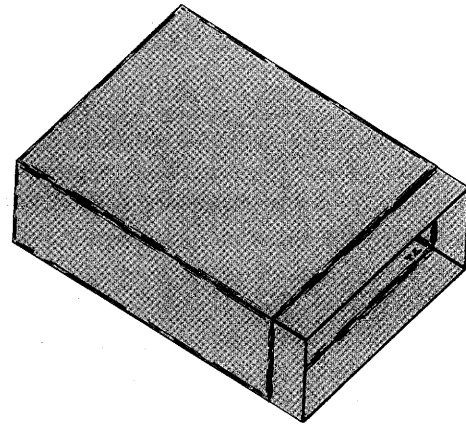
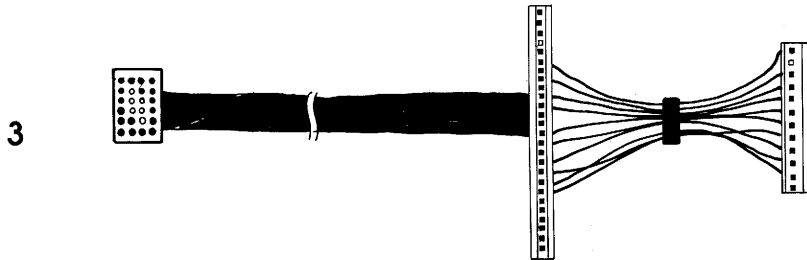
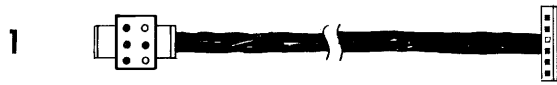
\*\* ON REQUEST



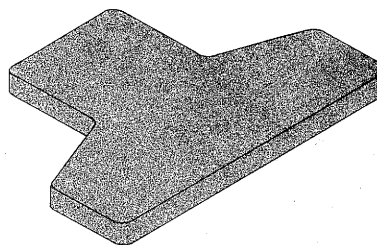
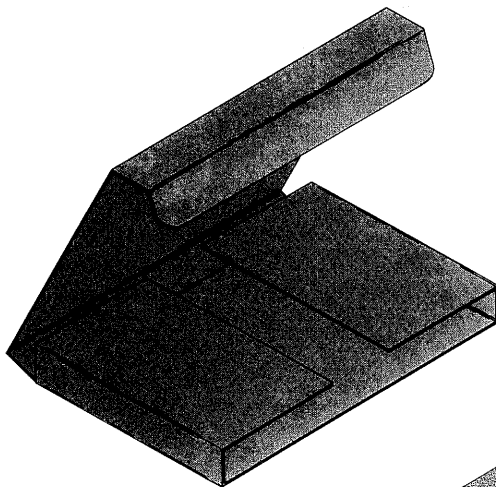
ITEM	PART NUMBER	QTY.	PART DESCRIPTION
1	4201329	1	SMART BOARD
---	4025714	1	STANDOFF
---	4201523	2	SPACER
---	8801186	2	#6-32 x 1 1/4 SCREW



# LOOSE PARTS

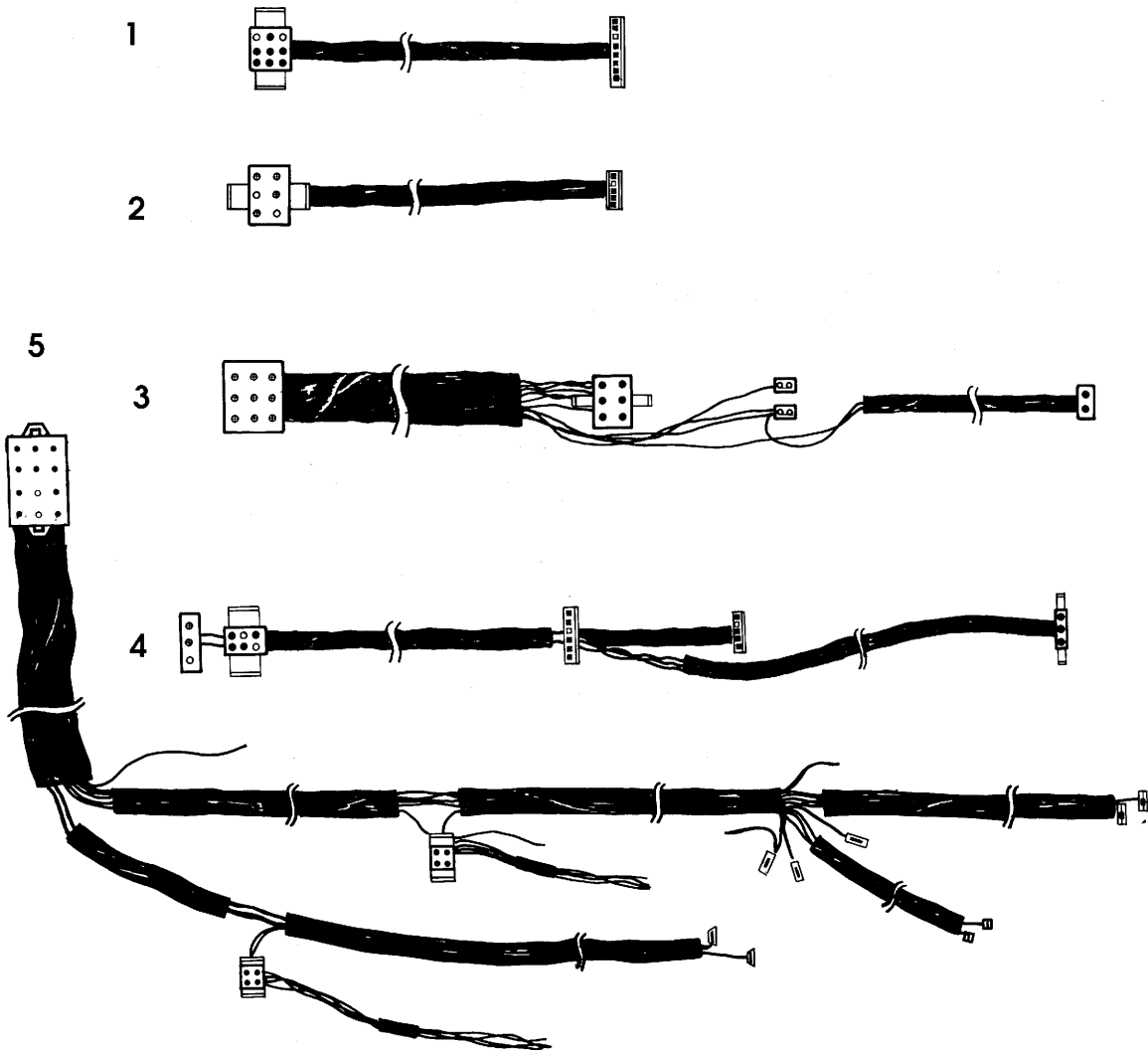


ITEM	PART NUMBER	QTY.	PART DESCRIPTION
1	4201353	1	CONTROL CABLE
2	4201406	1	SMART BOARD HARNESS
3	4200691-001	1	J-HARNESS
4	4201352	1	TOUCHPAD
5	4201418	1	MODE PLUG



ITEM	PART NUMBER	QTY.	PART DESCRIPTION
1	4060045	1	WATER WAFER

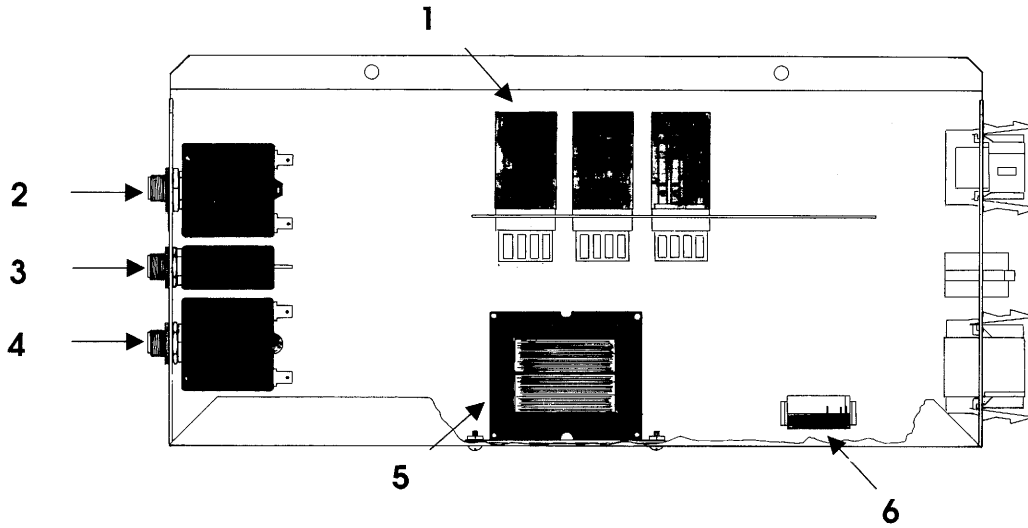
# HARNESSES



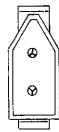
ITEM	PART NUMBER	QTY.	PART DESCRIPTION
1	4201406	1	SMART BOARD HARNESS
2	4201404	1	DISPLAY BOARD HARNESS
3	4201401	1	STACK HARNESS
4	4201405	1	STACK DISPLAY HARNESS
5	4201400	1	DOOR HARNESS

\*INTERNATIONAL USE

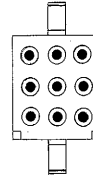
# CONTROL BOX ASSY. 1210765



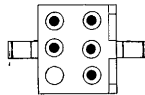
Main 115 VAC  
Power In



Conveyor  
Motor



24 VAC Power  
To Smart Board



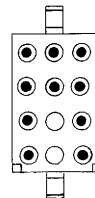
Door  
Switch



115 VAC  
Power to  
Refrigeration



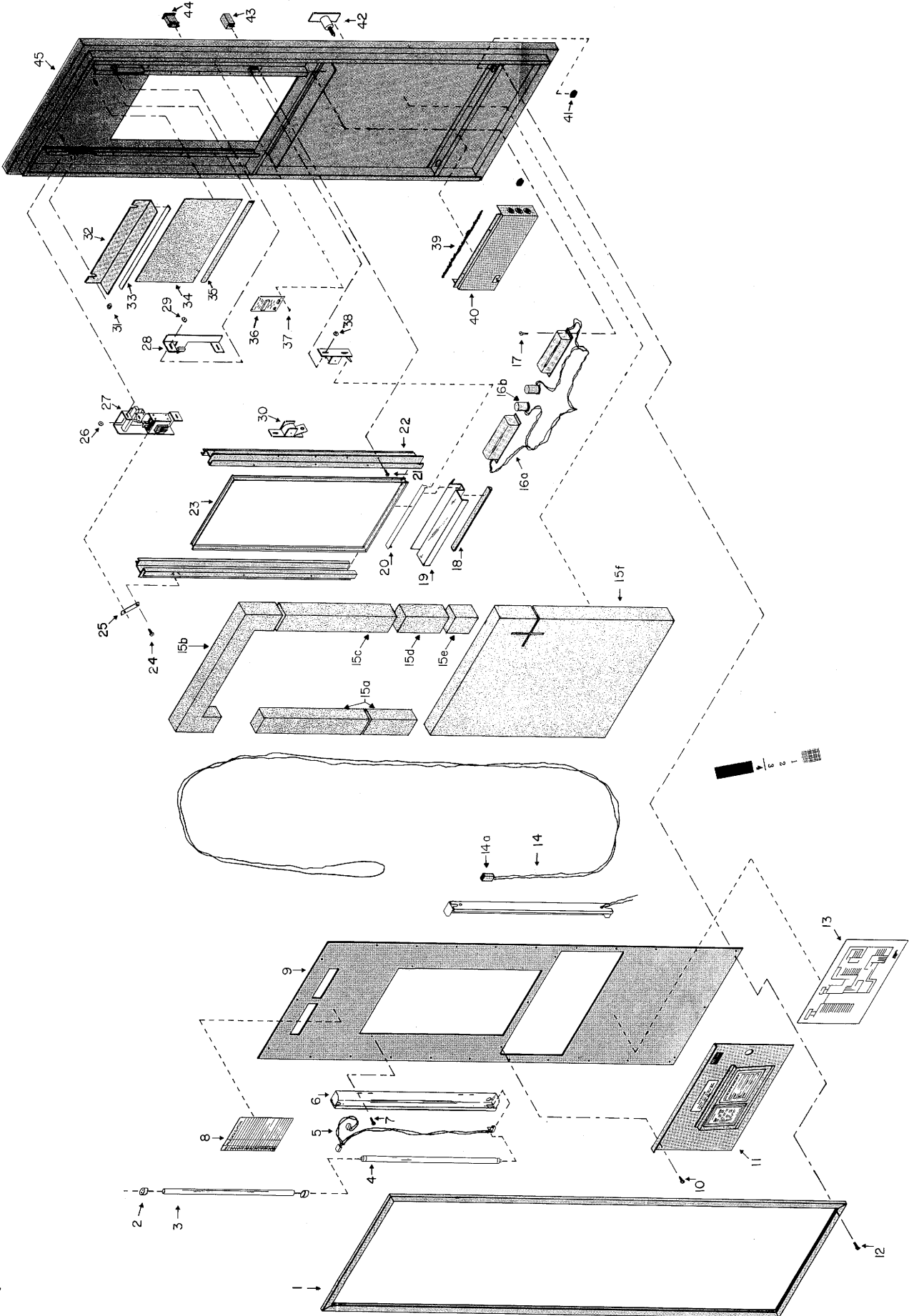
Door Harness



ITEM	PART NUMBER	QTY.	PART DESCRIPTION
---	1210765	1	COMPLETE CONTROL BOX ASSY.
1	4033994	3	RELAY (24 VAC.)
2	4033488	1	1.5 AMP BREAKER
3	4033071	1	3 AMP BREAKER
4	4033850	1	15 AMP BREAKER
5	4201305-001	1	TRANSFORMER
	4201684-001	*	220 VOLT TRANSFORMER
6	4201318	1	DOOR SWITCH
---	4201304	1	CONTROL BOX HARNESS

\* INTERNATIONAL USE

# COMPLETE DOOR ASSY. 1210697





# COMPLETE DOOR ASSY. 1210697

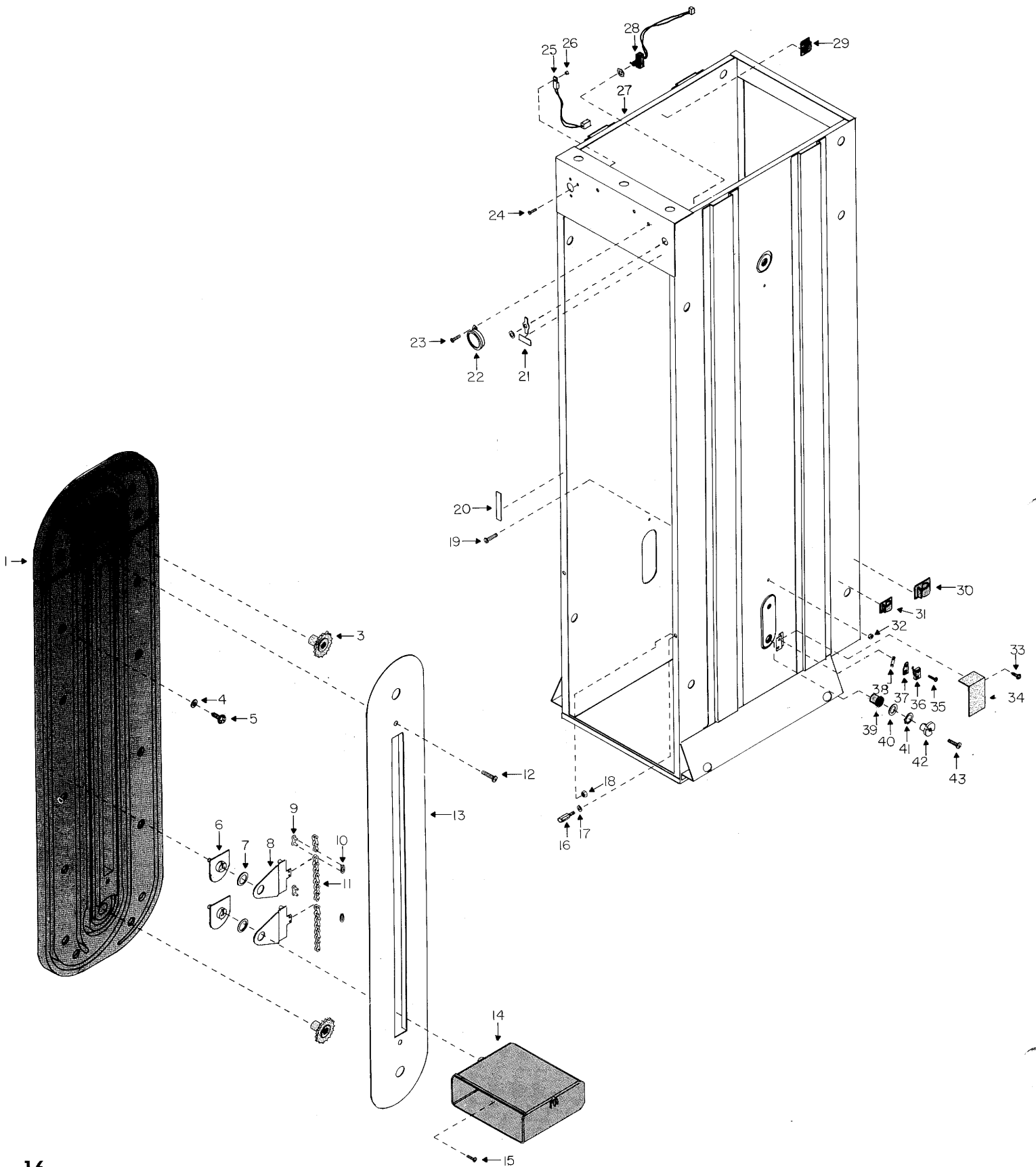
ITEM	PART NUMBER	QTY.	PART DESCRIPTION
---	4033617	2	STARTER SOCKET
17	4050240	4	#8-32 X 3/8 PHIL. PAN HD.
---	8800956	4	#8-32 HEX KEPS NUT
18	4201186-002	1	WINDOW SEAL (BOTTOM)
19	4201076-002	1	LIFT HANDLE
20	4201273	1	SPRING RETAINER
21	4050202	10	#8-18 X 1/2 TEK SCREW
22	4201055-001	2	WINDOW EXTRUSION
23	4201074	1	DISPLAY WINDOW
24	4050202	1	#8-18 X 1/2 TEK SCREW
25	4201791	1	PIN SUPPORT PLATE
26	8800956	2	#8-32 HEX KEPS NUT
27	1210717	1	LATCH ASSY. SEE PAGE (26)
	1210717-001	*	220 VOLT LATCH ASSY. SEE PAGE (26)
28	1210722	1	DOOR SWITCH ASSY. SEE PAGE (26)
29	8800956	2	#8-32 HEX KEPS NUT
30	1210755	2	SPRING ASSY. SEE PAGE (26)
31	4050513	2	TWIN WHIZ NUT
32	4201099-002	1	WINDOW STOP (TOP)
33	4201186-001	1	WINDOW SEAL (TOP)
34	4201510	1	UPPER DOOR INSULATION
35	4201698	1	WEATHER SEAL
36	1210761	1	DISPLAY BOARD ASSY.
---	4201275	1	DISPLAY BOARD
37	4201205	4	PINETREE CLIP
38	8800956	4	#8-32 HEX KEPS NUT
39	R-3994	6 FT	SEAL/MASTIC PERMAGUM
40	1210765	1	CONTROL BOX ASSY. SEE PAGE (13)
	1210950	*	220 VOLT CONTROL BOX ASSY.
41	7250135-000	1	1 3/8 HOLE PLUG
42	4060321	1	POP-OUT FLUSH T-HANDLE
43	4201414	1	VEND BUTTON
---	4201414-001	1	VEND BUTTON INSERT
44	4201211	1	ROCKER SWITCH
45	1210799-002	1	DOOR PANEL WELD ASSY.

\*INTERNATIONAL USE

ITEM	PART NUMBER	QTY.	PART DESCRIPTION
---	1210697	1	COMPLETE DOOR ASSY.
1	4201203	1	DOOR GASKET
---	1210756	2	COMPLETE LIGHT ASSY.
2	4201732-001	4	END CAP
3	4201204	2	SAFETY SHIELD
4	4201208	2	LAMP
5	4201277	4	BULB SOCKET T-5
---	4201279	2	LIGHT HARNESS
---	7200470-008	4	#6-32 X 3/16 SCREW
6	4200985-002	2	LIGHT REFLECTOR
7	4050202	4	#8-18 X 1/2 TEK SCREW
8	4201711	1	PRICE DESCRIPTION LABEL
9	4201184-001	1	DOOR LINER
10	4050202	3	#8-18 X 1/2 TEK SCREW
11	1210811	1	ACCESS DOOR LABEL ASSY.
---	4201365	1	WARNING LABEL
---	8038421	1	PATENT LABEL
---	8326915	1	CODE LABEL
---	4200032-000	1	AMERICAN FLAG STICKER
12	4050202	23	#8-18 X 1/2 TEK SCREW
13	4201246-001	1	WIRING DIAGRAM
14	7334795-002	1	HEATER WIRE
	4201686-000	*	220 VOLT HEATER WIRE
14a	7200276	1	MOLEX PLUGE
15a	4201270-001	1	DOOR INSULATION (RIGHT)
15b	4201271	1	DOOR INSULATION (TOP)
15c	4201270-002	1	DOOR INSULATION (LEFT UPPER)
15d	4201270-003	1	DOOR INSULATION (LEFT CENTER)
15e	4201270-004	1	DOOR INSULATION (LEFT LOWER RT)
15f	4201251	1	DOOR INSULATION (BOTTOM)
---	1210957	1	BALLAST HARNESS ASSY.
---	1210957-600	1	ELECTRICAL COMP.
16a	4201207	2	BALLAST T-5
	4201207-001	*	BALLAST 220 VOLT
16b	4201276	2	STARTER T-5

\*INTERNATIONAL USE

# STACK ASSY. (FRONT) 1210696

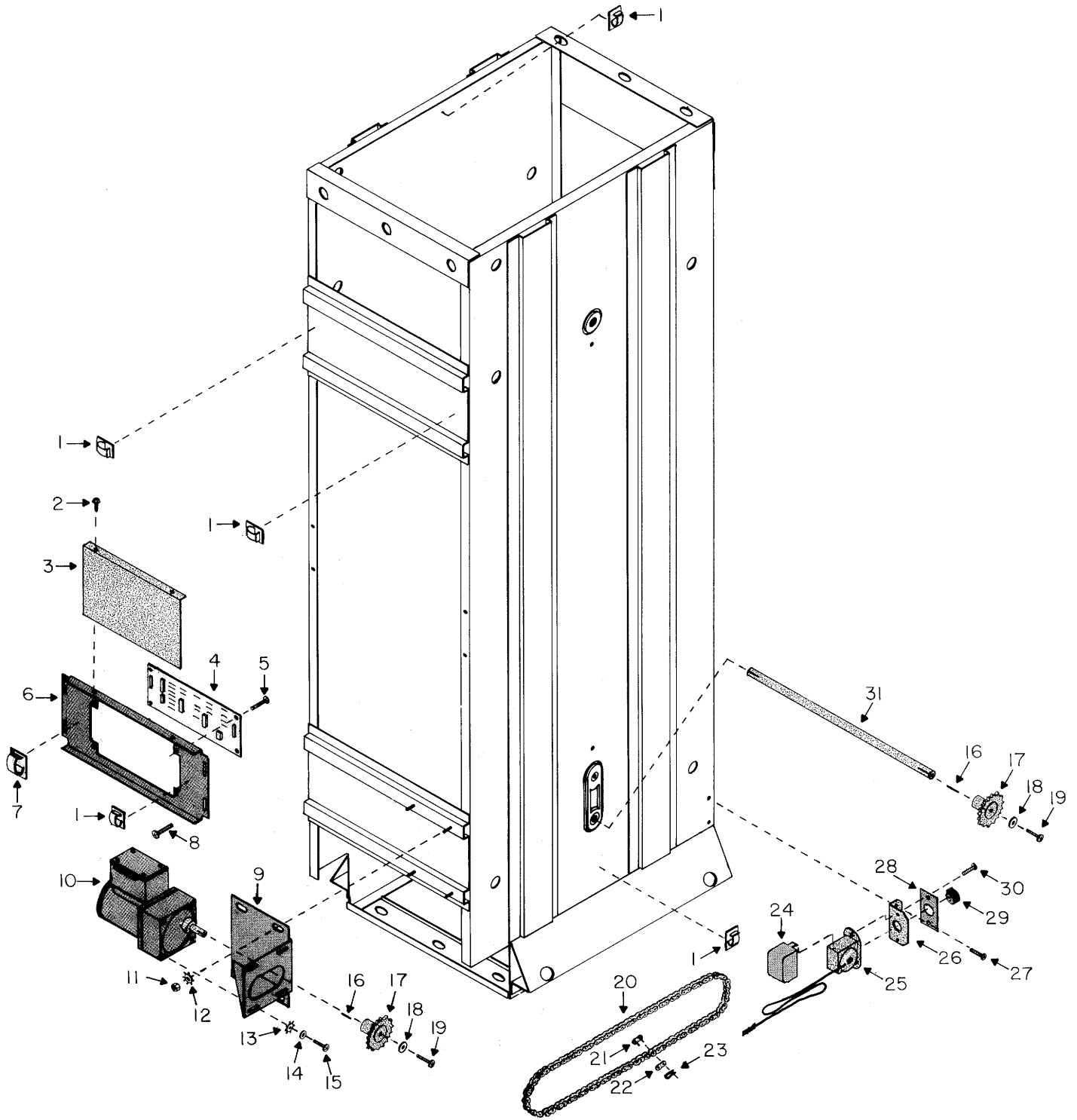


# STACK ASSY. (FRONT) 1210696

ITEM	PART NUMBER	QTY.	PART DESCRIPTION
—	1210696	1	COMPLETE STACK ASSY.
—	1130738	2	TRACK & BUSHING ASSY.
1	8382675	2	UPPER & LOWER TRACK
3	4201075-002	4	SPROCKET
4	8801018	32	5/16 WASHER
5	4201239	32	1/4-20 X 3/4 HEX HD SCREW
—	1130740	2	CARRIER CHAIN ASSY.
6	1130675	40	CARRIER ASSY.
7	8382602	40	SPACER
8	1130674	40	CARRIER ARM ASSY.
9	8382533	40	CONNECTING LINK
	8382533-001	40	CONNECTING LINK PLATE
10	8382532	40	SPRING CLIP
11	8382401	40	CHAIN LINKS
12	8800686	2	#10-32 X 1 1/2 SELF TAPPING
13	8382671-002	2	RETAINING PLATE
14	1210751-XXX	20	COMPLETE TRAY ASSY. SEE PAGE (23)
15	4201330	80	#8-32 X 3/8 TORQUE SCREW
16	4201397-001	2	STACK LOADING PIN
17	4050593	2	1/4 LOCKWASHER
18	4050531	2	1/4-20 HEX NUT
19	8800686	2	#10-32 X 1 1/2 SELF TAPPING
20	4201359	1	VENDING POSITION DECAL
21	4201361	1	LOADING SWITCH LABEL
22	8382043	1	HEALTH THERMOMETER
23	4050202	1	#8-18 X 1/2 TEK SCREW
24	4050113	1	#6-32 X 1/2 PHIL. PH. MS.
25	4201920	1	THERMISTOR
26	8800955	1	#6-32 HEX KEPS NUT
27	1210743	1	STACK WELD ASSY. BLK.
28	4201690	1	TOGGLE SWITCH ASSY. (SWITCH)
29	8370959	1	LOCKING CLAMP 1/2 DIA.
30	8370959-3	1	LOCKING CLAMP 3/4 DIA.
31	8370959	1	LOCKING CLAMP 1/2 DIA.
32	4050546	4	#10-32 TWIN WHIZ NUT
33	4050202	1	#8-32 X 1/2 TEK SCREW
34	4201740	1	CARRIER SWITCH COVER
35	8800027	2	#4-40 X 5/8 PHIL. PH. MS.
36	8337576	1	HELIX MOTOR SWITCH
37	8346774-1	1	INSULATION
38	8337588-1	1	SPEED NUT TWIN TYPE
39	8382507	4	7/8 BUSHING
40	4201206	4	SHAFT DRIVE WASHER
41	8382684	4	SNAP RING
42	8382687	1	CAM
43	8800364	1	#10-24 X 1/2 PHIL. PH. MS. LW.

\* INTERNATIONAL USE

# STACK ASSY. (BACK) 1210696

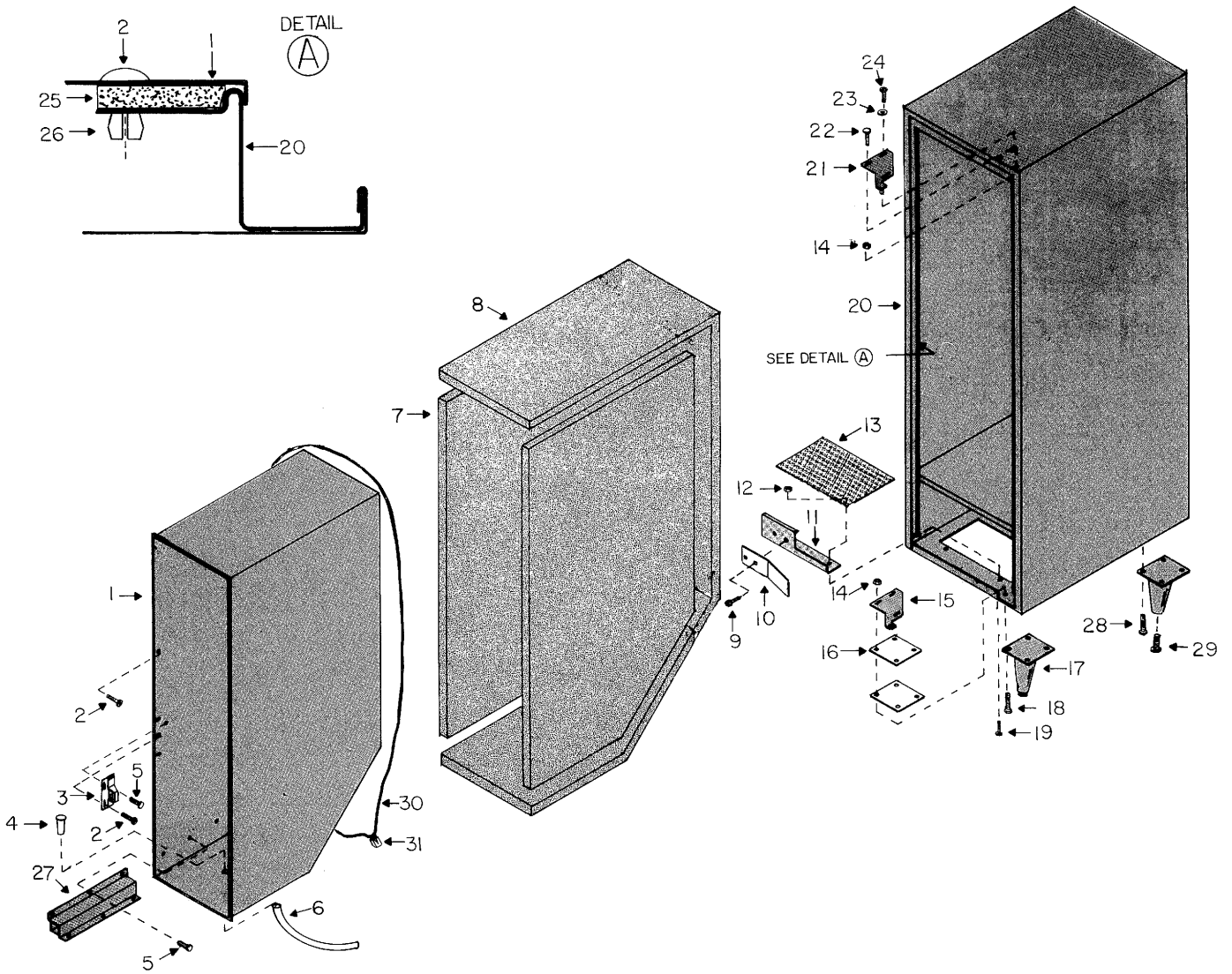


# STACK ASSY. (BACK) 1210696

ITEM	PART NUMBER	QTY.	PART DESCRIPTION
—	1210696	1	COMPLETE STACK ASSY.
1	8370959	5	LOCKING CLAMP 1/2 DIA.
—	1210898	1	SENSOR BOARD ASSY.
2	4050202	2	#8-18 X 1/2 TEK SCREW
3	4201737	1	SENSOR BOARD COVER PLATE
4	4201250	1	SENSOR BOARD
5	4050120	4	#6-32 X 5/16 PAN HD TYPE
6	4201224-002	1	SENSOR BOARD PLATE
7	8370959-3	1	LOCKING CLAMP 3/4 DIA.
8	4050202	4	#8-18 X 1/2 PAN. HD. SCREW
9	4201219-003	1	MOTOR MOUNTING PLATE
10	1210894	1	E1279-444GM (MOTOR ASSY.)
	1210894-001	*	220 VOLT (MOTOR ASSY.)
11	4050531	4	1/4-20 HEX NUT
12	4050593	4	1/4 LOCKWASHER
13	4050593	4	1/4 LOCKWASHER
14	4050589	4	#10 INT. LOCKWASHER
15	4050337	4	#10-32 X 5/8 SCREW
16	8382778	4	SQUARE KEY
17	4201075-002	2	SPROCKET
18	8330213-001	2	WASHER
19	8800364	3	#10-24 X 1/2 PHIL. PH. MS. LW.
20	8382686-002	1	CHAIN
21	8382533	1	CONNECTING LINK
22	8382533-001	1	CONNECTING LINK PLATE
23	8382532	1	SPRING CLIP
24	4201664	1	THERMOSTAT COVER
25	4034324	1	THERMOSTAT
26	7332408-000	1	THERMOSTAT BRACKET
27	4050202	2	#8-32 X 1/2 TEK SCREW
28	7333084-000	1	THERMOSTAT DIAL DECAL
29	4201663	1	THERMOSTAT KNOB
30	4050234	2	#8-32 X 3/8 SCREW
31	8382508	1	DRIVE SHAFT

\* INTERNATIONAL USE

# CABINET ASSY. (FRONT) 1210695

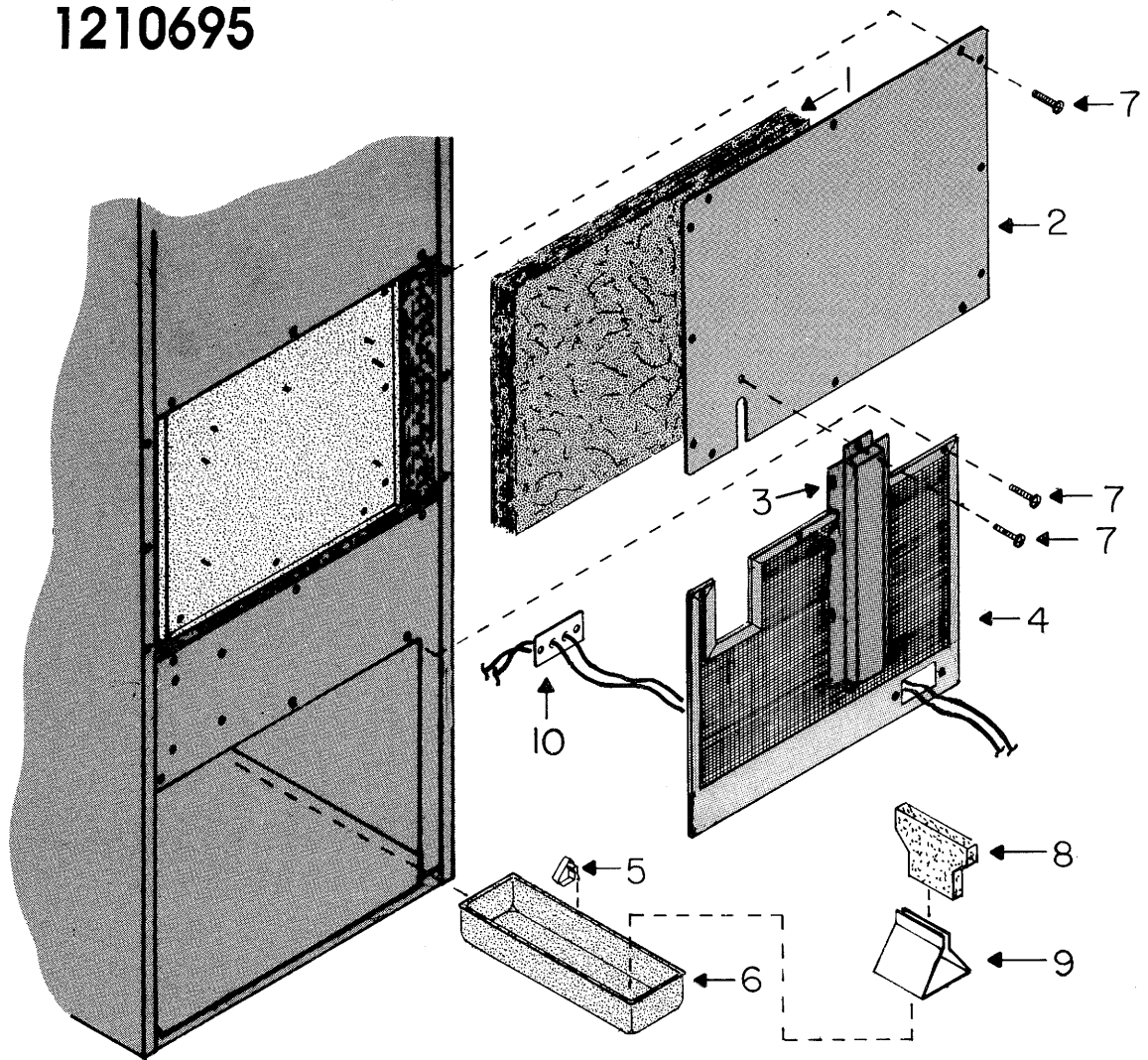


# CABINET ASSY. (FRONT) 1210696

ITEM	PART NUMBER	QTY.	PART DESCRIPTION
—	1210695	1	COMPLETE CABINET ASSY.
1	1130664-002	1	LINER WELD ASSY.
2	7200468-001	19	#10 X 1 TYPE SCREW
3	1210789-002	1	BRACKET LOCK
4	4201622	1	SNAP-IN DRAIN TUBE
5	4201239	7	1/4-20 X 3/4 HEX HD. SCREW
6	4025410-000	24"	MAYLON TUBING
7	8382690	2	CABINET SIDES INSULATION
8	8382689	1	CABINET INSULATION
9	8800636	2	#8-12 X 1/2 PAN HD. SCREW
10	4003365	1	SWITCH ACTIVATOR
11	4201267-002	1	DOOR SWITCH ACTIVATOR
12	8800956	2	#8-32 HEX KEPS NUT
13	4201222-002	1	CABINET BASE SCREEN
14	8810015	5	5/16 FLANGE LOCK NUT
15	1210709-004	1	BOTTOM HINGE PLATE
16	4201129-001	2	HINGE SPACER PLATE
17	1131275	4	LEG WELD
18	4201385	4	5/16-18 X 1 THREAD ROLLER
19	8800824	2	#8-32 X 5/8 PHIL. HD. TYPE
20	1210736-003	1	CABINET WELD ASSY.
21	1210709-003	1	TOP HINGE PLATE
22	4050099	2	5/16-18 X 3/4 CARRIAGE BOLT
23	7186148-000	1	5/16 LOCKWASHER
24	8800236	1	1/4-20 X 5/8 PHIL. TRUSS
25	7960247-000	13.25'	"A" FRAME GASKET
26	7090004-300	18	PLASTIC GROMMET
27	1210742-002	2	SLIDE BRACE
28	8801388	12	5/16-18 X 3/4 HEX HD. SCREW
29	8363374	4	LEG LEVELER
30	7334795-002	1	HEATER WIRE
31	7200276-000	1	MOLEX PLUG

\* INTERNATIONAL USE

# CABINET ASSY. (BACK) 1210695

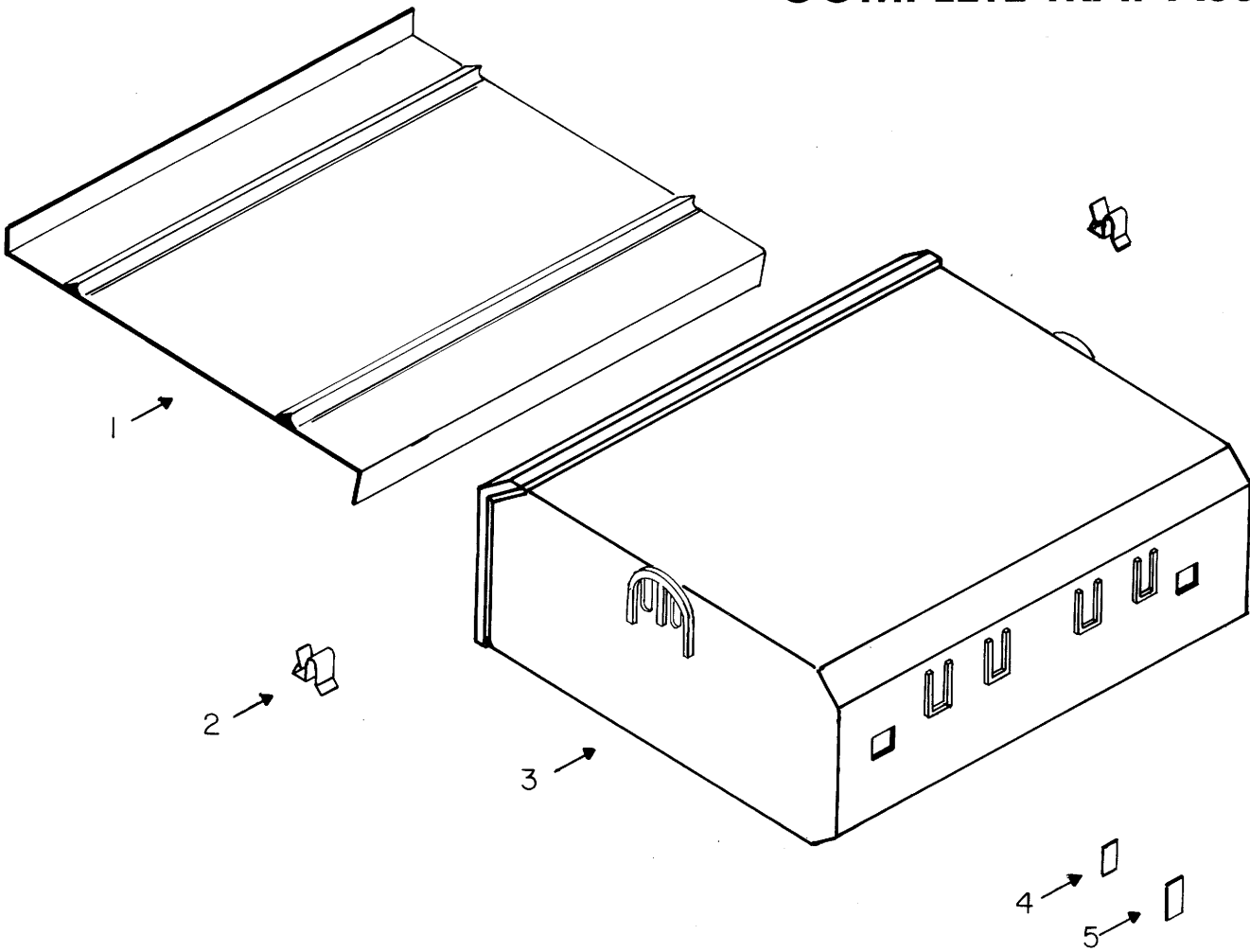


ITEM	PART NUMBER	QTY.	PART DESCRIPTION
—	1210695	1	COMPLETE CABINET ASSY.
1	8382689	1	CABINET INSULATION (BACK)
2	8382876-002	1	CABINET BACK COVER
3	8382881-002	1	SUCTION LINE COVER
4	1210745-002	1	CABINET BACK SCREEN
5	7200341	1	TUBE-CLIP
6	7200623-000	1	DRAIN PAN
7	7200468-001	13	#10 X 1 TYPE SCREW
8	4060045	1	WATER WAFER
9	4008535	1	WAFER HOLDER
10	1210785	1	POWER CORD ASSY.
---	4033631-000	1	POWER CABLE
---	4201334	1	UMBILICAL CORD
---	4201333-002	1	COVER PLATE
---	4050595-001	2	J-TYPE SPEED NUT
---	7331309-000	2	#8 X 1/2 SCREW

\* INTERNATIONAL USE



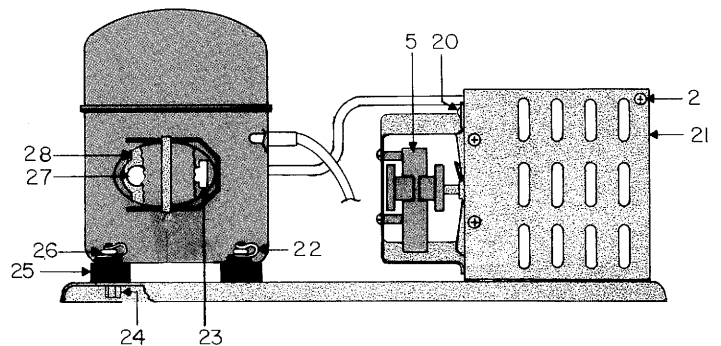
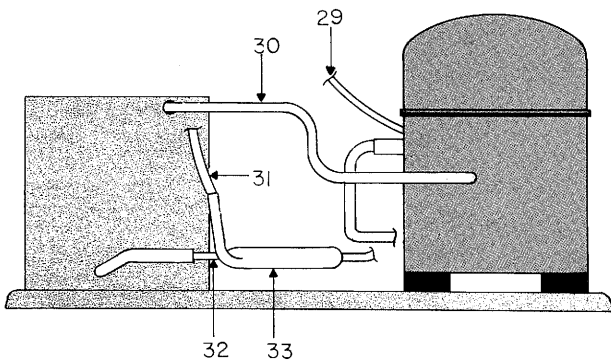
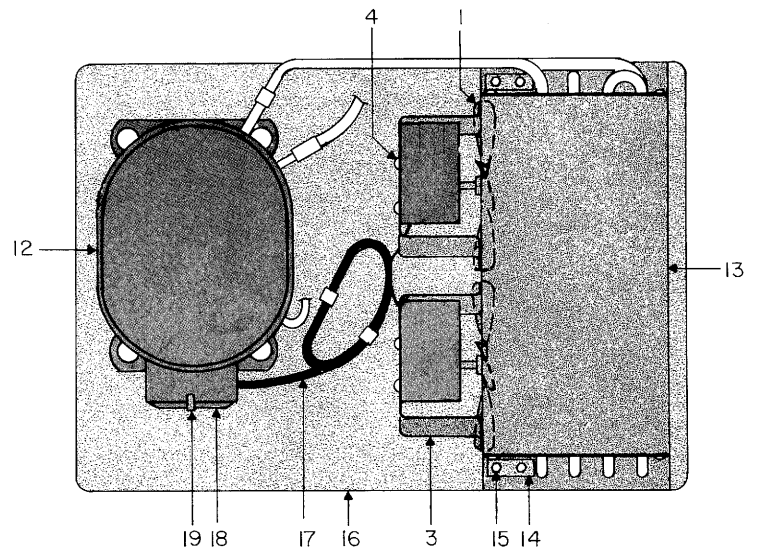
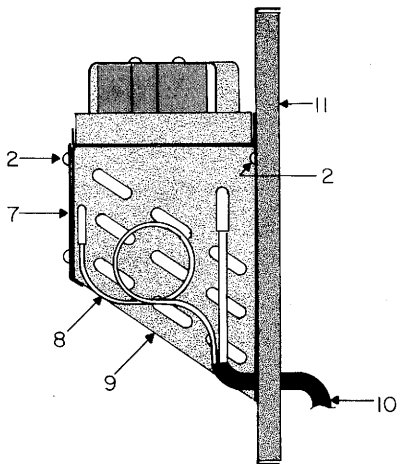
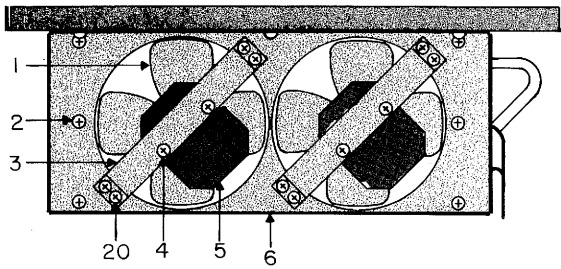
# COMPLETE TRAY ASSY'S.



ITEM	PART NUMBER	QTY.	PART DESCRIPTION
—	1210751-000	2	PLASTIC TRAY ASSY.
—	1210751-001	2	PLASTIC TRAY ASSY.
—	1210751-002	2	PLASTIC TRAY ASSY.
—	1210751-003	2	PLASTIC TRAY ASSY.
—	1210751-004	2	PLASTIC TRAY ASSY.
—	1210751-005	2	PLASTIC TRAY ASSY.
—	1210751-006	2	PLASTIC TRAY ASSY.
—	1210751-007	2	PLASTIC TRAY ASSY.
—	1210751-008	2	PLASTIC TRAY ASSY.
—	1210751-009	2	PLASTIC TRAY ASSY.
1	4201069	4	TRAY ANGLE
2	4201077	8	SPRING CLIP
3	8382400	20	PLASTIC TRAY
4	4201265	32	1/2 X 1 TAPE X .5
5	4201212	32	SENSOR MAGNET

\* INTERNATIONAL USE

# REFRIGERATION ASSY. 1130814

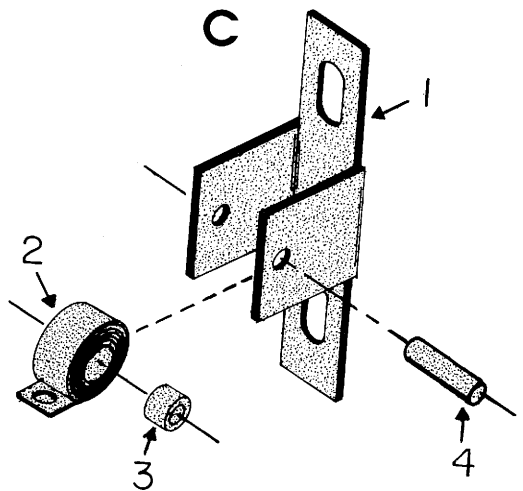
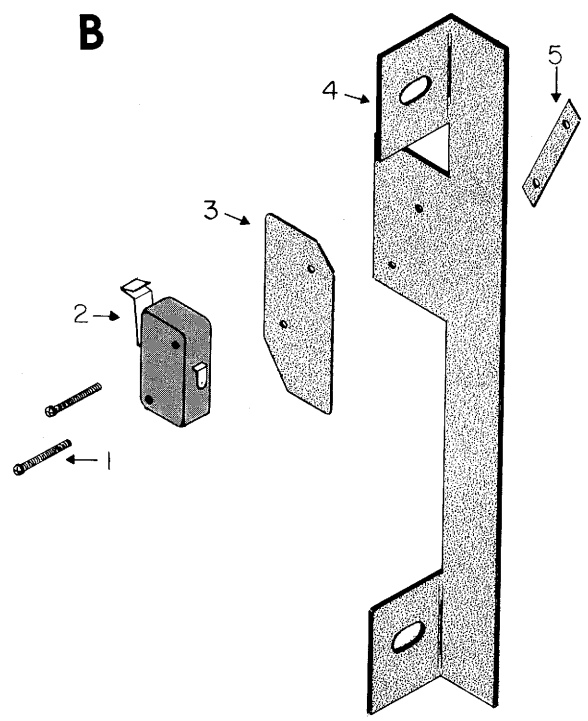
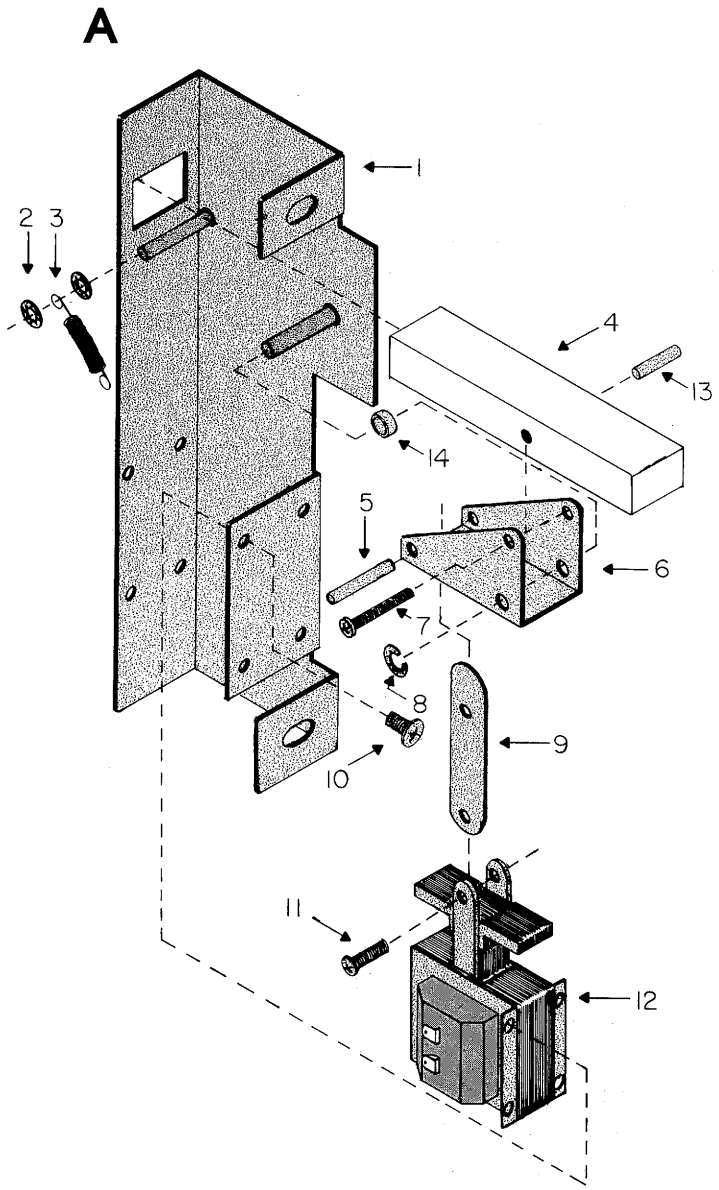


# REFRIGERATION ASSY. 1130814

ITEM	PART NUMBER	QTY.	PART DESCRIPTION
—	1130814	1	REFRIGERATION ASSY.
1	4201176-001	4	FAN BLADE
2	8801204	23	#10-16 X 3/8 PHIL. TH. TYPE
3	8382579	4	FAN BRACKET
4	8800247	8	#10-32 X 3/8 PHIL. TH. MS.
5	7331297-000	4	EVAPORATOR FAN
	7250309-000	*	220 VOLT EVAPORATOR FAN
6	8382581	1	ORIFICE/EVAPORATOR FAN
7	8382580	1	FRONT COVER
8	1130657	1	HEATER EXCHANGE ASSY.
9	8382295	1	EVAPORATOR
10	8365271-2	1	INSULATION
11	1130824	1	MOTOR BRACKET WELD ASSY.
12	8343851	1	COMPRESSOR-1/4
	8343851-1	*	220 VOLT COMPRESSOR-1/4
13	8382293	1	SHROUD/CONDENSER FAN
14	8916923	2	TINNERMAN CLIP
15	7332393-000	4	1/4-20 X 1/2 SCREW
16	8343839	1	BASE PLATE
17	4201399	1	REFRIGERATION HARNESS
18	8344308	1	TERMINAL COVER
19	8344306	1	BALE STRAP
20	8800503	16	3/8 PHIL. PAN HD. TAP
21	8382294	1	CONDENSER
22	8343874	4	SPRING CLIP
23	8333894-8	1	RELAY
	8333894-10	*	220 VOLT RELAY
24	8800949	4	3/8 - 16 HEX NUT
25	8323090-1	4	GROMMET
26	8343872	4	MOUNTING STUD
27	8045052-28	1	OVERLOAD PROTECTOR
	8045052-16	*	220 VOLT OVERLOAD PROTECTOR
28	8344305	1	OVERLOAD SPRING
29	8801180-003	1	1/4 COPPER TUBING X 6"
30	8382297	1	LINE-DISCHARGE
31	8801180-003	1	1/4 COPPER TUBING X 6"
32	8801180-002	2	1/4 COPPER TUBING X 3"
33	7189453-000	1	DRIER

\* INTERNATIONAL USE

# LATCH, SWITCH & SPRING ASSY'S.

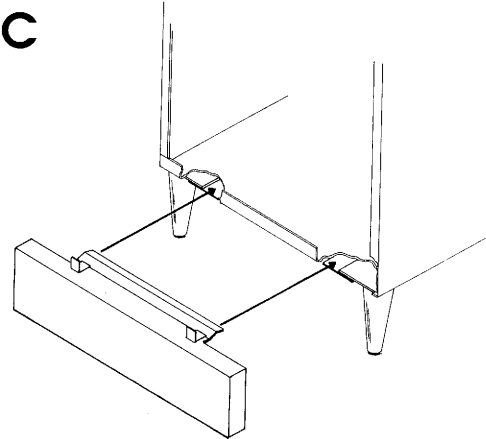
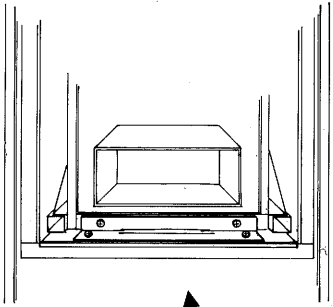
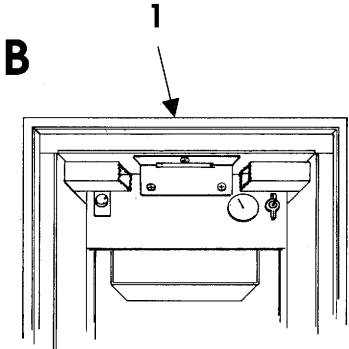
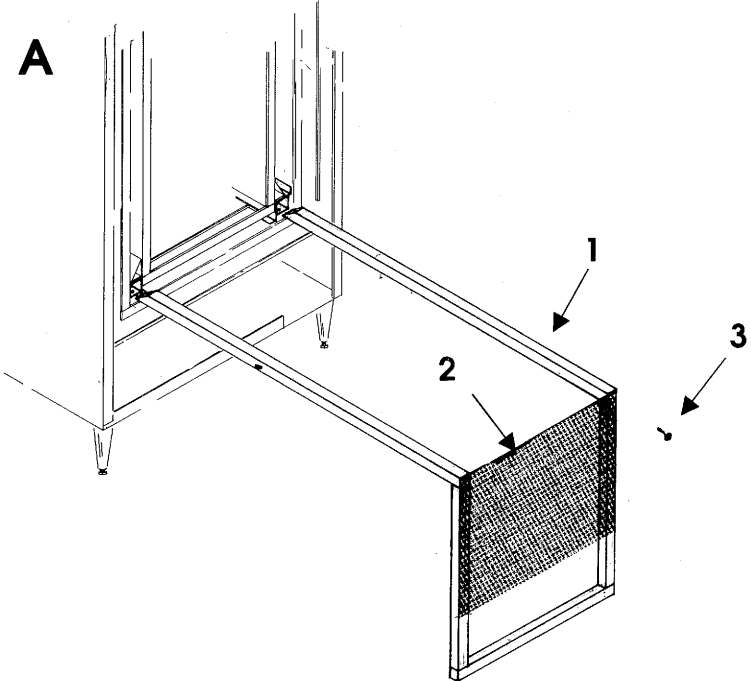


# LATCH, SWITCH & SPRING ASSY'S.

ITEM	PART NUMBER	QTY.	PART DESCRIPTION
A	1210717	1	COMPLETE WINDOW LATCH ASSY.
1	1210759	1	WINDOW LATCH HOUSING
2	7332477-000	2	1/8 PUSH-ON NUT
3	4201041	1	SPRING
4	4201130	1	WINDOW LATCH
5	8801134	1	1/8 X 1 PIN
6	4201125-002	1	WINDOW LATCH CAM
7	8800755	1	#6-32 X 1 PAN HD. TAP TYPE
8	8801077	1	1/4 RETAINING E-RING
9	4201284-002	1	LATCH LINKAGE
10	4050430	4	#10 X 5/16 SCREW
11	7200470-012	1	#8-32 X 3/8 SCREW
	4050643	*	COTTER PIN
12	4033635-002	1	SOLENOID
	4201685	*	220 VOLT SOLENOID
13	4201547-001	1	LATCH SLEEVE PLATE
14	4201138	1	HINGE SPACER
<hr/>			
B	1210722	1	WINDOW SWITCH ASSY.
1	8800027	2	#4-40 X 5/8 PHIL. PAN MS.
2	8337576	1	SWITCH
3	8346774-1	1	INSULATION
4	4201124	1	DOOR SWITCH PLATE
5	8337588-1	1	SPEED NUT TWIN TYPE
<hr/>			
C	1210755	2	WINDOW SPRING ASSY.
1	4201132	1	WINDOW TENSION MOUNT
2	4201201	1	WINDOW COUNTER SPRING
3	8383081	1	BEARING
4	8801134	1	1/8 X 1 PIN

\* INTERNATIONAL USE

# RACK, FLANGE & KICK PANEL



# RACK, FLANGE & KICK PANEL

ITEM	PART NUMBER	QTY.	PART DESCRIPTION
A	1210778	1	STACK SLIDE FRAME ASSY.
1	4201254-002	1	STACK SLIDE FRAME
2	4201255-002	1	PRODUCT LOAD PLATE
3	4050202	4	#8-18 X 1/2 TEK SCREW
B			
1	4201229	1	UPPER STACK FLANGE
—	7200468-001	1	#10-16 X 1 TYPE A SCREW
—	8801312	2	#10-16 X 1/2 TYPE B SCREW
2	4201223	1	LOWER STACK FLANGE
—	7200468-001	2	#10-16 X 1 TYPE A SCREW
—	8801312	2	#10-16 X 1/2 TYPE B SCREW
C	1210800	1	KICK PANEL **AS REQUESTED BY SERVICE ORDER

