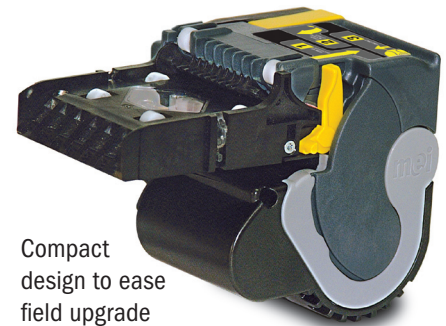


MEI CASHFLOW® Series 2000 VNR Vending Recycler

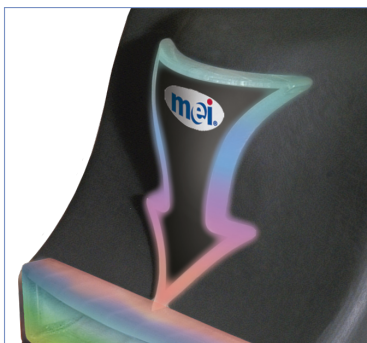


MEI and bill recycling; the winning combination for YOUR business

- ▶ Programmable recycler module holds up to 30 bills
- ▶ Series 2000 heritage of reliability
- ▶ Most accessible bill path
- ▶ Smallest footprint for increased retrofit potential
- ▶ Cash accountability with tamper-evident sensors
- ▶ Compatible with any MDB coin mech
- ▶ High-visibility bezel:
 - Bright, low-powered LEDs
 - Enhances merchandising
 - Displays denominations



Compact design to ease field upgrade



High-visibility bezel option
strobes through a wide range of colors



Accepts up to \$20's,
Pays out \$1 or \$5 bills

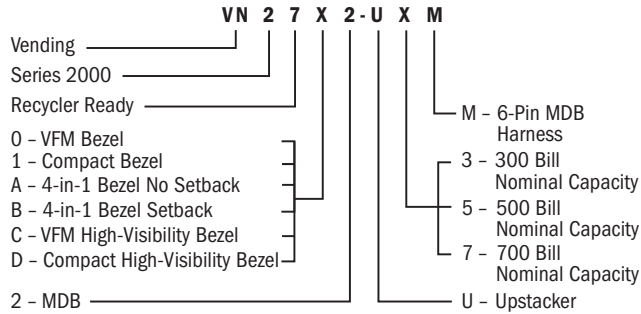
mei | **cashflow**®
series 2000 vnr

www.meigroup.com

MEI CASHFLOW® Series 2000 VNR Vending Recycler

CONFIGURATION AND OPTIONS

Configuration Sample



Options/Accessories

| Part Number | Description |
|-------------|--|
| 250066027 | Series 2000 Locking Hasp Kit (two per box) |
| 250061038 | Armored Bezel |

Magazine Options

| Part Number | Description |
|-------------|-------------------|
| 250061016 | 300 Bill Magazine |
| 250069017 | 500 Bill Magazine |
| 250068021 | 700 Bill Magazine |



Options can be easily customized on location via a simple-to-use configuration coupon.

SPECIFICATIONS

Acceptance Rate

- 95% or greater for \$1, \$2, \$5, \$10 and \$20 U.S. bills

Bill Insertion

- Lengthwise, four-way (face up or down, either direction)

Transaction Speed

- Approximately 4 seconds (from bill insertion to completed bill-stacking)

Interfaces

- MDB

Power Sources

- 22 to 45 VDC

Power Consumption

- Standby: 5 Watts
- Acceptance: 15 Watts
- Full Stack Max: 20 Watts

Escrow Supported

Approximate Shipping Weight

- 5 pounds

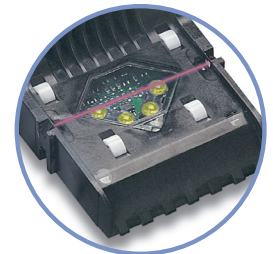
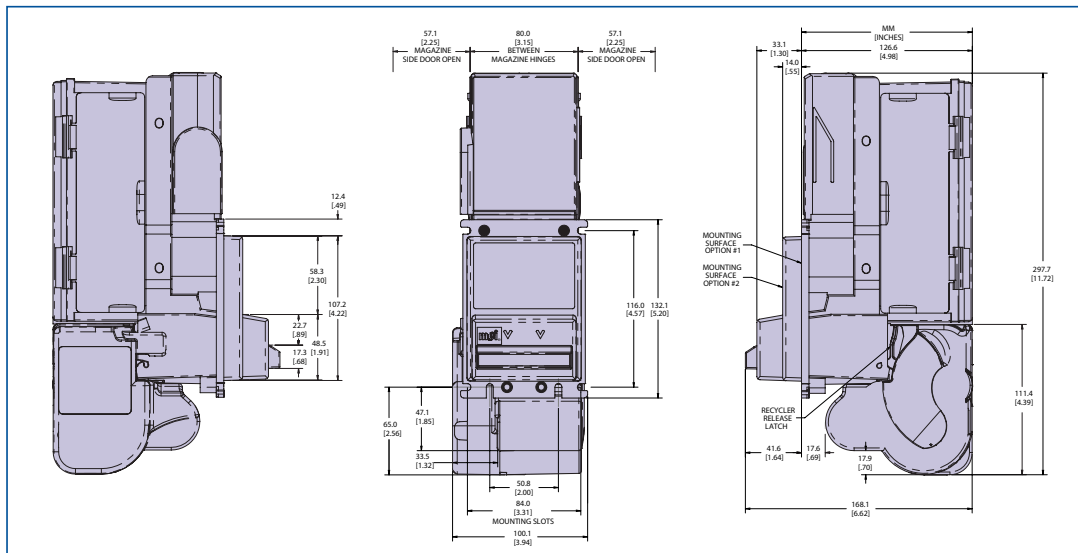
Environment

- Operating temperature: -15° C to 60° C
- Storage temperature: -40° C to 70° C



The MEI coupon program provides custom and generic coupons for free vends or dollar-value vends.

CASHFLOW® SERIES 2000 VNR WITH COMPACT BEZEL



The fully enclosed, optical sensors ensure consistent, high-quality recognition, security and value.

MEI Corporate Headquarters
 1301 Wilson Drive
 West Chester, Pennsylvania 19380
 1-610-430-2700
 1-800-345-8215



The MEI Device and MEI CASHFLOW are trademarks of MEI. Information is subject to change without notice. MEI has made every effort to ensure that the information in this document is accurate. However, we cannot be held responsible for any errors or omissions.

© 2009 MEI. All rights reserved. 7/09



MEI is ISO 9001:2000 Certified