

MEI® AE 2600 BILL VALIDATOR



User friendly

It's the device your customers can trust to perform reliably—time and time again. The low jam rate, high acceptance rate, and increased bill capacity mean more transactions, less customer frustration and greater profits.

Enhanced security

Borrowing from our gaming industry expertise, we've applied the same high-security technology to the AE 2600 bill validator. Our **enhanced** multi-wavelength optics and sophisticated data processing combine to make the AE 2600 a superior value. MEI's current products do not rely on older magnetic technology to provide protection against counterfeit currency but rather, fully encased, optical sensors that use advanced algorithms to reduce the acceptance of counterfeit currency and ensure consistent, high-quality recognition. The AE 2600 bill validator's sensors greatly reduce vulnerability to both "yank cheating" and invalid bills.

High four-way acceptance rate

Satisfy customers by accepting torn, wrinkled, faded, damp, dirty, limp, spindled or mutilated bills. Little or no bill preparation is required and bills can be fed four ways (in either direction, face up or down).

Vending coupons

The MEI coupon program provides custom and generic coupons for free vends or dollar-value vends. The MEI coupon solution uses a unique security coding process to prevent coupons from crossing into competing companies' operations.

Low maintenance

The streamlined recognition system features sensors embedded under a sealed plastic bill path and elimination of the magnetic head and pinch roller—dramatically reducing debris buildup and the need for cleaning.

Resists vandalism

The AE 2600's enclosed sensors are designed to divert the liquid from "salting" attempts. If "salted," the bill validator is designed to recover without the need for a service call—continuing to operate and satisfy customers. And, the coin-resistant bezel design prevents coins from getting jammed when inadvertently inserted. Plus, an optional armored bezel for protection against breaking is available.

Easy, time-saving setup

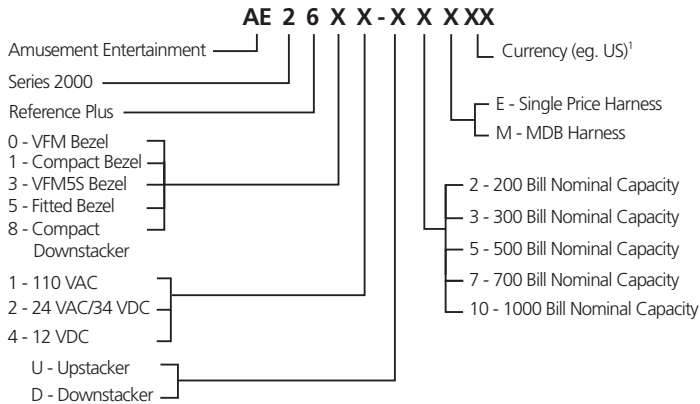
The AE 2600 bill validator's design ensures convenient access to all switches. Easy-to-read labels explain switch settings. With the AE 2600, options can be easily customized on location via a simple-to-use configuration coupon.

MEI FLASHPORT™ for future flexibility

The AE 2600 accepts \$1, \$2, \$5, \$10 and \$20 bills in circulation. Also, the unit's re-programmable flash memory enables quick, easy updates of software files such as new currency designs or value coupons.

AE 2600 MODEL CONFIGURATION

AE 2600 Model Configuration Sample



AE 2600 Options/Accessories

| Part Number | Description |
|-------------|--|
| 250066027 | Series 2000 Locking Hasp Kit (two per box) |
| 91-16-159-4 | Mounting Kit (Metal Door) |
| 01-12-139 | Gaming Interface Kit |
| 250072034 | RS 232 External interface Box |

AE 2600 Magazine Options

| Part Number | Description |
|-------------|-----------------------------|
| 250063015 | 200 Bill Magazine |
| 250061016 | 300 Bill Magazine |
| 250069017 | 500 Bill Magazine |
| 250068021 | 700 Bill Magazine |
| 250060086 | 1000 Bill Magazine (pack 4) |

AE 2600 BILL VALIDATOR SPECIFICATIONS

Acceptance Rate

95% or greater for \$1, \$2, \$5, \$10, and \$20 U.S. bills²

Bill Insertion

Lengthwise, four-way (faceup/down, either direction)

Transaction Speed

Approximately 4 seconds (from bill insertion to completed bill-stacking)

Interfaces

MEI Serial Protocol and MDB
Multiple Pulse—Vending
Multiple Pulse—Gaming

¹ Call MEI for other currency options

² Acceptance at nominal conditions

³ Maximum Relative Humidity of 50% at extreme temperatures

Power Sources

90 to 135 VAC, 60 Hz or 18 to 28 VAC, 60 Hz, 22 to 45 VDC or 12 VDC

Power Consumption

Standby: 5 Watts, **Acceptance:** 10 Watts, **Full Stack Max:** 50 Watts

Escrow

One bill

Approximate Shipping Weight

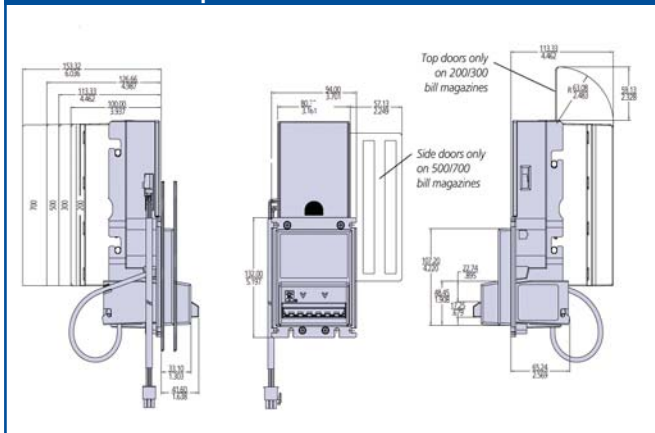
4 pounds

Operating temperature: -15° C to 60° C

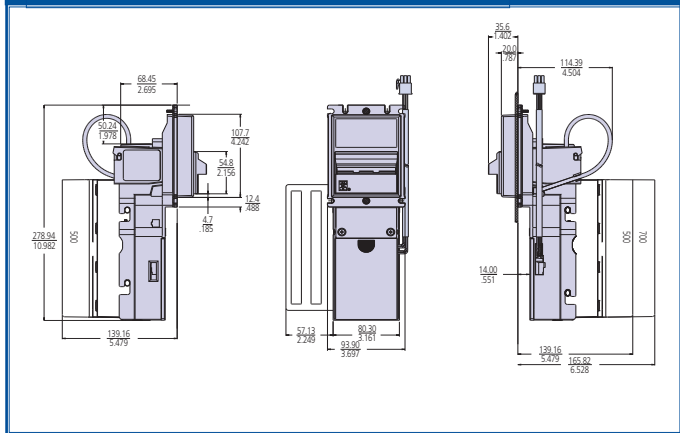
Storage temperature: -40° C to 70° C

Humidity: 5% to 95% Relative Humidity (non-condensing)³

AE 2600 with Compact Bezel



AE 2600 with VFM5S Bezel



MEI Corporate Headquarters
1301 Wilson Drive
West Chester, Pennsylvania 19380
1-610-430-2700
1-800-345-8215

mei
www.meigroup.com

The MEI Device and MEI CASHFLOW are trademarks of MEI. Information is subject to change without notice. MEI has made every effort to ensure that the information in this document is accurate. However, we cannot be held responsible for any errors or omissions.

© 2009 MEI. All rights reserved. 4/09

FSC Mixed Sources
Cert no SW-COC-002607
© 1996 FSC

MEI is ISO 9001:2000 Certified