

MEI® VN 2500 bill acceptor



KEEP YOUR MACHINES RUNNING, NOT YOUR SERVICE TECHS

A bill jam shuts down your machine, costs you a service call, and worse, can jeopardize placements at your hard-won locations. MEI has spared no effort in virtually eliminating bill jams.

With over 4,000,000 bill validators sold worldwide and 20 years of advancing technology, the MEI Series 2000 bill validator uses:

- Non-contact sensing, eliminating pinch points
- Patented dual-shot tools, assuring no edges to catch a limp bill
- Secure multi-wavelength sensors for high security

These features increase bill acceptance and provide the industry's lowest jam rate, resulting in happier consumers, fewer service calls, and more profitable locations.

Enhanced security

MEI's current products rely on fully enclosed, optical sensors with advanced algorithms to reduce the acceptance of counterfeit currency and ensure consistent, high-quality recognition. The VN 2500 bill acceptor's sensors greatly reduce vulnerability to both "yank cheating" and invalid bills.

High four-way acceptance rate

Satisfy customers by accepting torn, wrinkled, faded, damp, dirty, limp, spindled or mutilated bills. Little or no bill preparation is required and bills can be fed four ways (in either direction, face up or down).

Vending coupons

The MEI coupon program provides custom and generic coupons for free vends or dollar-value vends. This coupon solution uses a unique security coding process to prevent coupons from crossing into competing companies' operations.

Resists vandalism

The VN 2500's enclosed sensors are designed to divert the liquid from "salting" attempts. If "salted," the bill acceptor is designed to recover without the need for a service call—continuing to operate and satisfy customers. And, the coin-resistant bezel design prevents coins from getting jammed when inadvertently inserted. Plus, an optional Armored bezel for protection against breaking is available.

Easy, time-saving setup

The VN 2500 bill acceptor's design ensures convenient access to all switches. Easy-to-read labels explain switch settings. With the VN 2500, options can be easily customized on location via a simple-to-use configuration coupon.

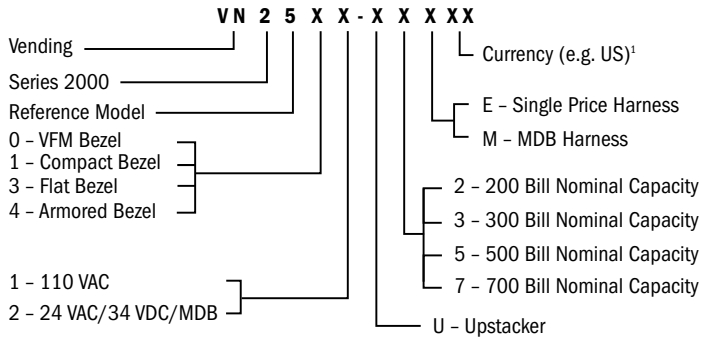
MEI FLASHPORT™ for future flexibility

The VN 2500 accepts \$1, \$2 and \$5 bills in circulation. Also, the unit's re-programmable flash memory enables quick, easy updates of software files such as new currency designs or value coupons.

MEI® VN 2500 bill acceptor

VN 2500 CONFIGURATION AND OPTIONS

VN 2500 Model Configuration Sample



VN 2500 Options/Accessories

Part Number	Description
250066027	Series 2000 Locking Hasp Kit (two per box)
250061038	Armored Bezel
250062041	Sealed Cover (five per box)

VN 2500 Magazine Options

Part Number	Description
250063015	200 Bill Magazine
250061016	300 Bill Magazine
250069017	500 Bill Magazine
250068021	700 Bill Magazine

VN 2500 BILL ACCEPTOR SPECIFICATIONS

Acceptance Rate

- 95% or greater for \$1, \$2, \$5 U.S. bills

Bill Insertion

- Lengthwise, four-way (face up or down, either direction)

Transaction Speed

- Approximately 4 seconds (from bill insertion to completed bill-stacking)

Interfaces

- MEI Serial Protocol
- MDB
- Multiple Pulse - Vending

Power Sources

- 90 to 135 VAC, 60 Hz or 18 to 28 VAC, 60 Hz, 22 to 45 VDC

Power Consumption

- Standby: 5 Watts
- Acceptance: 10 Watts
- Full Stack Max: 50 Watts

Escrow

- One bill

Approximate Shipping Weight

- 4 pounds²

Environment

- Operating temperature: -15° C to 60° C
- Storage temperature: -40° C to 70° C



Options can be easily customized on location via a simple-to-use configuration coupon.



The fully enclosed, optional sensors ensure consistent, high-quality recognition, security and value.



The MEI coupon program provides custom and generic coupons for free vends or dollar-value vends.

¹ Call MEI for other currency options

² Armored bezel unit weighs 5 pounds

The MEI Device and MEI FLASHPORT are trademarks of MEI. Information is subject to change without notice. MEI has made every effort to ensure that the information in this document is accurate. However, we cannot be held responsible for any errors or omissions.

© 2007 MEI. All rights reserved. 6/07

MEI Corporate Headquarters
1301 Wilson Drive
West Chester, Pennsylvania 19380
1-610-430-2700
1-800-345-8215

mei[®]
www.meigroup.com

MEI is ISO 9001:2000 Certified 