

MEI® 12v Battery Series 2000 Bill Validator



The proven high reliability and exceptional performance of MEI Series 2000 — PLUS...

- NEW enhanced sleep mode
- Instant-ON wake-up circuit, with minimal idle current
- Low operational current draw for long battery life
- Available in AE2400 and AE2600 configurations

User friendly

It's the device your customers can trust to perform reliably — time and time again. The low jam rate, high acceptance rate, and increased bill capacity mean more transactions, less customer frustration and greater profits.

Enhanced security

Our enhanced multi-wavelength optics and sophisticated data processing combine for exceptional security and value. Fully enclosed, optical sensors use advanced algorithms to reduce the acceptance of counterfeit currency and ensure consistent, high-quality recognition. MEI bill validator sensors greatly reduce vulnerability to both "yank cheating" and invalid bills.

High four-way acceptance rate

Satisfy customers by accepting torn, wrinkled, faded, damp, dirty, limp, spindled or mutilated bills. Little or no bill preparation is required and bills can be fed four ways (in either direction, face up or down).

MEI coupons

The 12v battery Series 2000 bill validator accepts custom and generic coupons for dollar-value vends. The MEI coupon solution uses a unique security coding process to prevent coupons from being accepted in competing companies' operations.

Low maintenance

The streamlined recognition system features sensors embedded under a sealed plastic bill path and elimination of the magnetic head and pinch roller—dramatically reducing debris buildup and the need for cleaning.

Resists vandalism

The enclosed sensors in the 12v battery Series 2000 are designed to divert the liquid from "salting" attempts. If "salted," the bill validator is designed to recover without the need for a service call — continuing to operate and satisfy customers. And, the coin-resistant bezel design prevents coins from getting jammed when inadvertently inserted.

Easy, time-saving setup

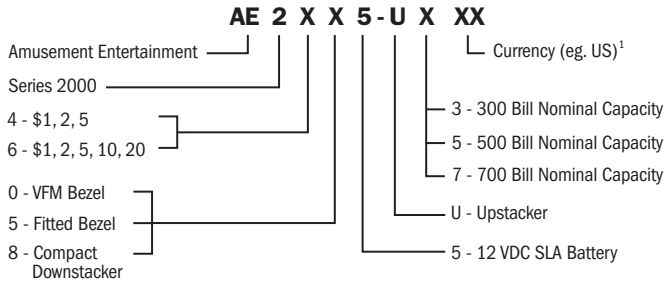
The bill validator's design ensures convenient access to all switches. Easy-to-read labels explain switch settings. Options can be easily customized on location via a simple-to-use configuration coupon.

MEI FLASHPORT™ for future flexibility

The unit's re-programmable flash memory enables quick, easy updates of software files such as new currency designs or value coupons.

AE 2XX5 MODEL CONFIGURATION

Configuration and Options



Options/Accessories

Part Number	Description
250066027	Series 2000 Locking Hasp Kit (two per box)
91-16-159-4	Mounting Kit (Metal Door)
01-12-139	Gaming Interface Kit
250072034	RS 232 External interface Box

Magazine Options

Part Number	Description
250061016	300 Bill Magazine
250069017	500 Bill Magazine
250068021	700 Bill Magazine

SPECIFICATIONS

Acceptance Rate

95% or greater for \$1, \$2, \$5, \$10, and \$20 U.S. bills²

Bill Insertion

Lengthwise, four-way (face up/down, either direction)

Transaction Speed

Wake-up time: 0.4 seconds.

Bill insertion to complete bill stacking: approximately 4 seconds.

Interfaces

Isolated Pulse

Non-Isolated Pulse+

Power Sources

12 VDC SLA Battery

¹ Call MEI for other currency options

² Acceptance at nominal conditions

³ Maximum Relative Humidity of 50% at extreme temperatures

Operating Currents

Power saving mode: 12V, 60µA

Accepting: 289 mA (Typical Average)

Stalled: 4.0A (Peak)

Escrow

One bill

Approximate Shipping Weight

4 pounds

Environment

Operating temperature: -15° C to 60° C

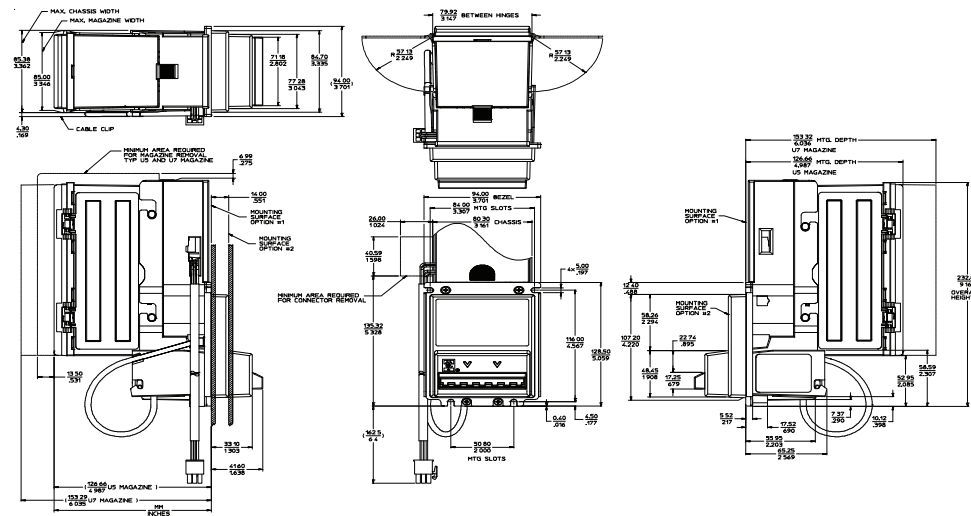
Storage temperature: -40° C to 70° C

Humidity: 5% to 95% Relative Humidity (non-condensing)³

Warranty

2 Years

AE 2XX5 with Fitted Bezel



High Performance Features

- Low power sleep current: 60µA
- Fast wake up time
 - Sleep mode to bill accept: less than 1 sec.
- Longer battery life between charges due to significantly lower idle current requirements
 - Idle current before bill is inserted: 206 mA
 - Idle time before bill is inserted: 402 ms
- Hot swappable batteries - does not require validator reset

MEI Corporate Headquarters
 1301 Wilson Drive
 West Chester, Pennsylvania 19380
 1-610-430-2700
 1-800-345-8215



The MEI Device is a trademark of MEI. Information is subject to change without notice. MEI has made every effort to ensure that the information in this document is accurate. However, we cannot be held responsible for any errors or omissions.

