

**PARTS
MANUAL
FOR
HBA 7 B
FRESH BREW
COFFEE**

LITERATURE NO. 620164



U-Select-It Corporation
P.O. Box 488 • 165 North 10th St. • Waukee, Iowa 50263
515-277-5397 – 800-247-8709

TABLE OF CONTENTS

Introduction, Model Designation & Specifications	3
Material Return Procedure	4 & 5
Reading A Parts List	5
Parts Ordering Procedure	6
Notes	7
Door Styling Outside (Standard, Teak & Walnut)	8 & 9
Door Styling Outside (Rowe Award)	10 & 11
Door Styling Outside (National Crown)	12 & 13
Door Styling Outside (National Imperial Crown)	14 & 15
Door Styling Outside (National Golden Furniture)	16 & 17
Door Styling Outside (National Golden Furniture)	18 & 19
Door Styling Outside (Grandura)	20 & 21
Interior Common Door	22 & 23
Display Light Assembly	24
Selection Harness	25
Door Harness	26 & 27
Upper Panel Assembly	28 & 29
Coin Insert Assembly	30 & 31
Vend Door Assembly	32
Cup Chute Assembly	33
Cabinet Latch Assembly	34
Door Latch Assembly	35
Cup Dropper & Cup Turret Assembly	36 & 37
Interior Common Cabinet	38 & 39
Spout & Spout Support Assembly	40 & 41
Skirt Carton & Leg Weld Assembly	42
Coffee, Chocolate Shelf Assembly	43
Cabinet Harness Assembly	44 & 45
Ingredient Shelf Assembly (Tea & Soup)	46
Chocolate Whipper Assembly	47
Cream & Sugar Shelf Assembly	48 & 49
Single Jumper Harness for Tea Ingredient Shelf	48 & 49
Heater Assembly	50 & 51
Mixing Bowl	50 & 51
Canister Assembly	52 & 53
Control & Cam Box Assembly (Outside Front)	54 & 55
Control & Cam Box Assembly (Inside Back)	56 & 57
Cam & Cam Shaft Assembly	58 & 59
Cam Box Assembly	60 & 61
Cam Motor Harness	62 & 63
Cam & Motor Harness	62 & 63
Timer Pump Flush Assembly	64
Blower Assembly	65
Water Inlet (With Filter)	66
Water Inlet (Without Filter)	67
Brew Unit Assembly, Lower Housing	68 & 69
Brew Unit Assembly, Upper Housing	70 & 71
Water Tank & Valve Assembly	72 & 73
Water Tank Lid Assembly	74
Water Valve (Double)	75
Water Valve (Single)	76
Product Labels	77

INTRODUCTION

The HBA7B is a medium size single cup coffee vender. It provides six selections. Coffee four ways, whipped hot chocolate, and an optional tea or soup. An extra strong coffee selection is available as optional equipment.

Extra creme and/or sugar buttons are standard on all models.

The cup level for all products is controlled by adjustable cams located in the control box.

The brew unit is a paperless recirculating type. A pump is used for brewing the coffee and drying the grounds.

MODEL DESIGNATION

This service manual applies to the basic vender and its various model designations as called out in the model code numbers. You will find these code numbers on your machine in the following locations. 1. Inspection label on the main door. 2. The serial number plate attached to the rear of the cabinet.

Please refer to this number in all correspondence regarding your machine.

SPECIFICATIONS

DIMENSIONS:	30" Wide X 30 5/8" Deep	—	66" High and 6" Legs (Standard)
CUP CAPACITY:	6 Column		
	7 oz. Squat Cups	*525	
	7 oz. Tall Cups	*650	
	9 oz. Cups	*500	
CANISTER CAPACITY:	Coffee	10 lbs.	
	Creme	4 lbs.	
	Sugar	7 lbs.	
	Chocolate	12 lbs.	
	Tea	1 lb.	
	Soup	2.8 lbs.	
ELECTRICAL:	115 Volt 20 amp		
	60 Cycle A.C.		
WATER SUPPLY:	20-125 P.S.I. Line Pressure		
WATER TANK:	1500 Watt Heater	3 Gallon	
SHIPPING WEIGHT:	375 lbs.		

* Capacity will vary due to different "nesting" characteristics of cups.

PARTS ORDERING PROCEDURE

When ordering parts, include the following information:

1. Shipping address.
2. Address where the invoice should be sent.
3. The number of parts required.
4. Always refer to the pertinent parts and/or service manual for the correct part number and description of a specific part.
 - a. If you do not have the right parts manual at the time you order, contact VENDO/USI, P.O. Box 488, 165 No. 10th Street, Waukee, Ia. 50263. They will provide a copy for you.
Don't hold the order pending receipt of the parts manual; use the most accurate description you can (and the model number and serial number of the machine); include the name of the assembly in which the part is used and, if practical, a sample part. Furnish any information which will enable our order department to pinpoint the exact part needed.
 - b. When "RIGHT" and "LEFT" are used in connection with the name of a part, it is taken to mean that the person is facing the machine.
5. Always include model number and the serial number of the machines for which the parts are needed on the order.
6. List any special shipping instructions.
 - a. Always note on the order if you require air or air special, truck, parcel post, or rail. If a specific carrier is desired note it on the order.
7. Sign the order and note the date entered on the order.
8. When a purchase order number is used, be sure that it is legible and visible.

Mail your order to: VENDO/USI
P.O. Box 488
165 North 10th Street
Waukee, Iowa 50263

All orders are carefully packed and inspected prior to shipment. Damage incurred during shipment should be reported at once and a claim filed with the terminating carrier.

READING A PARTS LIST

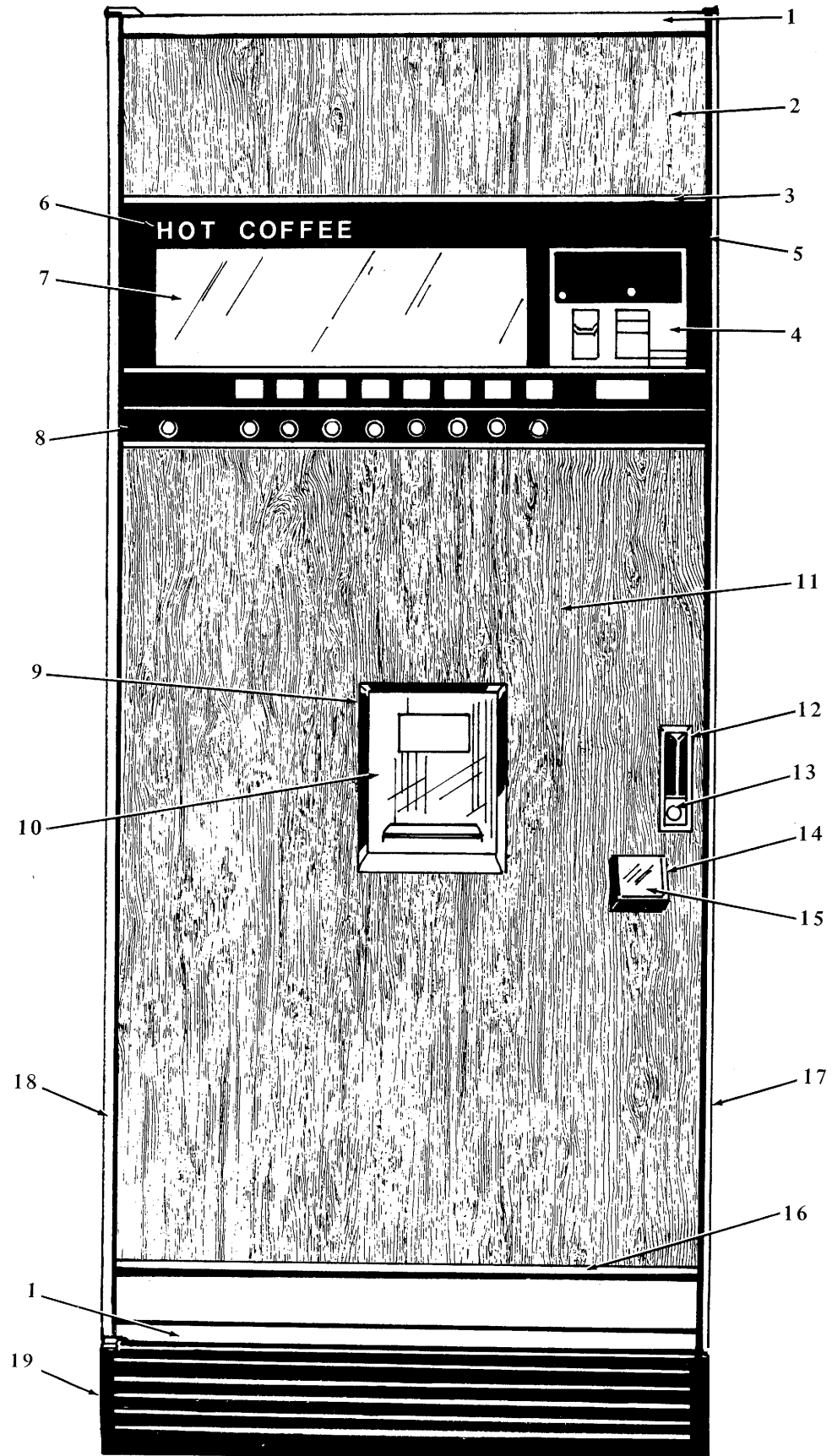
1. Step 1 is the Door Final Assembly Complete. Anything indented (A) under that part is a detail of the assembly and will be included in that part number.
2. Step 2 is an assembly which is a part of the Door Final Assembly Complete. Example: Sign Assembly - Any part indented (B) under the Sign Assembly is a detail part of that assembly.
3. Step 3. This step shows that the parts which are not a part of the Sign Assembly, return to the left in line with the Sign Assembly; thus continuing the Door Final Assembly. All parts indented under The Door Final Assembly Complete are part of the Door Final Assembly, and all parts indented under the Sign Assembly make up the Sign Assembly.
4. Step 4 shows individual parts. This shows that any part that is not indented under an assembly is not part of an assembly on that page.
5. In the Item Number column, a dash may appear. The dash may mean one of two things; the item described is a complete assembly, or the item is a detail part not shown in the drawing.

	ITEM NO.	PART NO.	NO. REQ.	PART NAME AND DESCRIPTION
Step 1	-	117420	1	Door Final Assy. Complete
<div style="display: flex; flex-direction: column; align-items: center;"> <div style="margin-bottom: 10px;"> A <div style="border-left: 1px solid black; border-bottom: 1px solid black; padding-left: 5px;"> <div style="margin-bottom: 5px;">Step 2</div> <div style="margin-bottom: 5px;">Step 3</div> <div style="margin-bottom: 5px;">Step 4</div> </div> </div> <div style="margin-bottom: 10px;"> B <div style="border-left: 1px solid black; padding-left: 5px;"> <div style="margin-bottom: 5px;">4</div> <div style="margin-bottom: 5px;">5</div> </div> </div> </div>	1	117228-1	1	Door Weld Assy.
	2	341870	1	Vend Door
	3	330259	1	Trim - Vend Door
	-	110506-14	1	Sign Assy. - Complete
	4	331303-1	2	Frame - Bottom & Top
	5	331303-2	2	Frame - Sides
	6	329672	1	Glass - Sign
	7	112073	8	Tee Weld Assy.
	8	327490	8	Thumb Nut
	9	V800899	1	Screw
10	V800570	1	Nut	

NOTES

NOTES

HBA7B - STANDARD TEAK & WALNUT



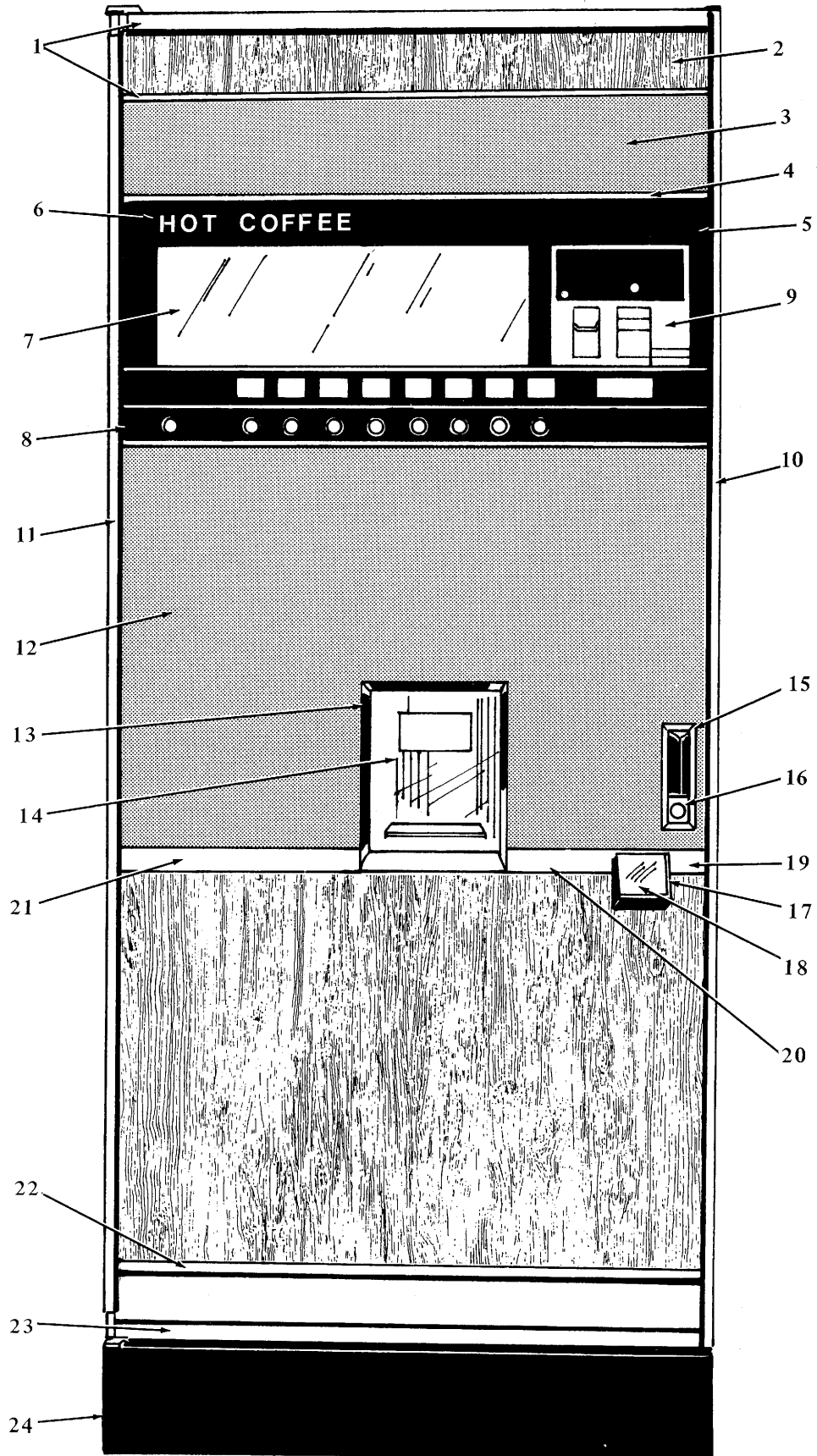
HBA7B – STANDARD TEAK & WALNUT

ITEM NO.	CLIP - ON TRIM PART NO.	TEE BOLT TRIM PART NO.	NO. REQ.	PART NAME AND DESCRIPTION
-	-	380327-1	1	Door Final Assembly (Standard or Beige)
-	-	380327-2	1	Door Final Assembly (Teak)
-	-	380327-3	1	Door Final Assembly (Walnut)
1	379724*	380970-1	1	Trim - Top & Bottom
-	V800866	-	3	Tapping Screw (AP for Item 1)
-	-	V328708	3	Tee Bolt (AP for Item 1)
-	-	V800956	3	Hex Nut & Lock Washer (AP for Item 1)
2	379596-1	379596-1	1	Outer Panel - Upper (Painted Beige)
2	129146	129146	1	Outer Panel - Upper (Honeytone Teak) Vendura
2	129146-1	129146-1	1	Outer Panel - Upper (Walnut) Vendura
3	379642	379642	1	Trim - Center
-	V350494	V350494	3	Tee Bolt (AP for Item 3)
-	V800955	V800955	3	Hex Nut (AP for Item 3)
4	-	-	1	Coin Insert Assembly (See Pages 30 & 31)
-	V801312	V800204	14	Tapping Screws (AP for Item 5)
5	-	-	1	Upper Panel Assembly (See Pages 28 & 29)
6	379643	379643	1	Strip Product Ident. (HOT COFFEE)
7	371551	371551	1	Sign Display (See Pages 28 & 29)
8	-	-	1	Selection Panel (See Pages 28 & 29)
9	330259	330259	1	Trim - Vend Door
-	V880818	V800818	6	Tapping Screw (AP for Item 8)
-	45404	45404	2	Cup Washer (AP for Item 8)
10	341870	341870	1	Vend Door (See Page 32)
11	379623-1	379623-1	1	Outer Panel Door - Lower (Standard)
11	128737	128737	1	Outer Panel Door - Lower (Honeytone Teak)
11	128737-1	128737-1	1	Outer Panel Door - Lower (Walnut)
12	369526	369526	1	Trim - Latch
-	V801011	V801011	1	Flat Washer (AP for Item 12)
-	V800821	V800821	1	Tapping Screw (AP for Item 12)
-	V800831	V800831	1	Tapping Screw (AP for Item 12)
13	127161-1	127161-1	1	Door Latch Assembly (See Page 35)
14	379619	379619	1	Trim - Coin Cup
-	379043	379043	1	Retainer - Coin Cup Trim (AP for Item 13)
-	322904	322904	2	Nut (AP for Retainer)
15	349892-2	349892-2	1	Door - Coin Cup
16	379605-3	379605-3	1	Trim - Lower Panel
-	V801204	V801204	4	Tapping Screw (AP for Item 15)
17	379644	380971	1	Trim - Door (Right Side)
-	366444	-	8	Clip - Moulding (AP for Item 16)
-	-	V328708	3	Tee Bolt (AP for Item 16)
-	-	V800456	3	Hex Nut & Lock Washer (AP for Item 16)
18	379644-1	380972	1	Trim - Door (Left Side)
-	366444	-	8	Clip - Moulding (AP for Item 17)
-	-	V328708	3	Tee Bolt (AP for Item 17)
-	-	V800956	3	Hex Nut & Lock Washer (AP for Item 17)
19	123942-6	123942-6	1	Skirt Carton Assembly (See Page 42)

AP - Attaching Parts

*Used on Top only.
**Trim Style Code.

HBA7B - ROWE AWARD

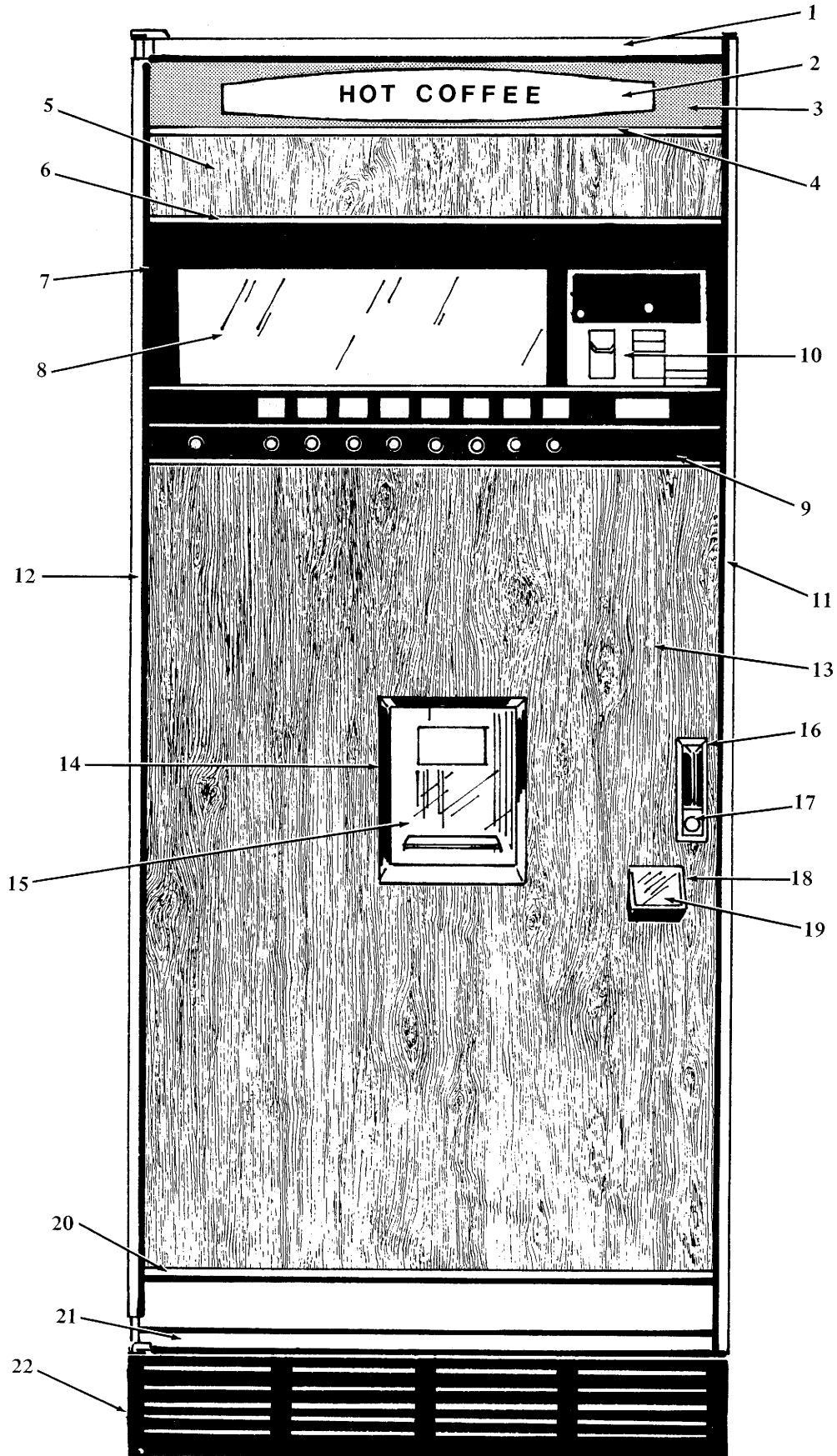


HBA7B - ROWE AWARD

ITEM NO.	CLIP - ON TRIM PART NO.	TEE BOLT TRIM PART NO.	NO. REQ.	PART NAME AND DESCRIPTION
-	-	380327-5	1	Door Final Assembly
1	379725	379725	1	Trim - Door Top
-	V328708	V328708	3	Tee Bolt (AP for Item 1)
-	V800956	V800956	3	Hex Nut & Lock Washer (AP for Item 1)
2	123094	123094	1	Vinyl Panel Assembly
3	379593	379593	1	Outer Panel - Upper
4	379642	379642	1	Trim - Upper Center
-	V350494	V350494	3	Tee Bolt (AP for Item 4)
-	V800955	V800955	3	Hex Nut & Lock Washer (AP for Item 4)
5	-	-	1	Upper Panel Assembly (See Pages 28 & 29)
6	379643	379643	1	Strip Product Ident. - HOT COFFEE
7	374551	374551	1	Sign Display (See Pages 28 & 29)
8	-	-	1	Selection Panel (See Pages 28 & 29)
9	-	-	1	Coin Insert Assembly (See Pages 30 & 31)
10	379645	380974	1	Trim R.H. Side
-	-	V328708	3	Tee Bolt (AP for Item 10)
-	-	V800956	3	Hex Nut & Lock Washer (AP for Item 10)
-	366444	-	8	Clip - Moulding (AP for Item 10)
11	379645-1	380973	1	Trim - L.H. Side
-	-	V328708	3	Tee Bolt (AP for Item 11)
-	-	V800956	3	Hex Nut & Lock Washer (AP for Item 11)
-	366444	-	8	Clip - Moulding (AP for Item 11)
12	128739	128739	1	Panel Assembly - Lower (Paint & Vinyl)
13	330259	330259	1	Trim - Vend Door
-	V800818	V800818	6	Tapping Screw (AP for Item 13)
-	45404	45404	2	Cup Washer (AP for Item 13)
14	341870	341870	1	Door - Vend (See Page 32)
15	369526	369526	1	Trim - Latch
-	V801011	V801011	1	Flat Washer (AP for Item 15)
-	V800821	V800821	1	Tapping Screw (AP for Item 15)
-	V800831	V800831	1	Tapping Screw (AP for Item 15)
16	127161-1	127161-1	1	Door Latch Assembly (See Page 35)
17	379619	379619	1	Trim - Coin Cup
-	379043	379043	1	Retainer - Coin Cup (AP for Item 17)
-	322904	322904	2	Nut - Speed (AP for Item 17)
18	349892-2	349892-2	1	Door - Coin Cup
19	379726-1	379726-1	1	Trim - R.H. Lower Center
-	V328708	V328708	1	Tee Bolt (AP for Item 19)
-	V800956	V800956	1	Hex Nut & Lock Washer (AP for Item 19)
20	379726-2	379726-2	1	Trim - Center - Lower Center
-	V328708	V328708	1	Tee Bolt (AP for Item 20)
-	V800956	V800956	1	Hex Nut & Lock Washer (AP for Item 20)
21	379726	379726	1	Trim - L.H. Lower Center
-	V328708	V328708	2	Tee Bolt (AP for Item 21)
-	V800956	V800956	2	Hex Nut & Lock Washer (AP for Item 21)
22	379605-1	379605-1	1	Trim - Lower Panel
-	V801204	V801204	4	Tapping Screw (AP for Item 22)
23	None	380975	1	Trim - Bottom
-	None	V800956	3	Tee Bolts (AP for Item 23)
-	None	V328708	3	Hex Nut & Lock Washer (AP for Item 23)
24	123942-7	123942-7	1	Skirt Carton Assembly (See Page 42)

AP - Attaching Parts

HBA7B - NATIONAL CROWN

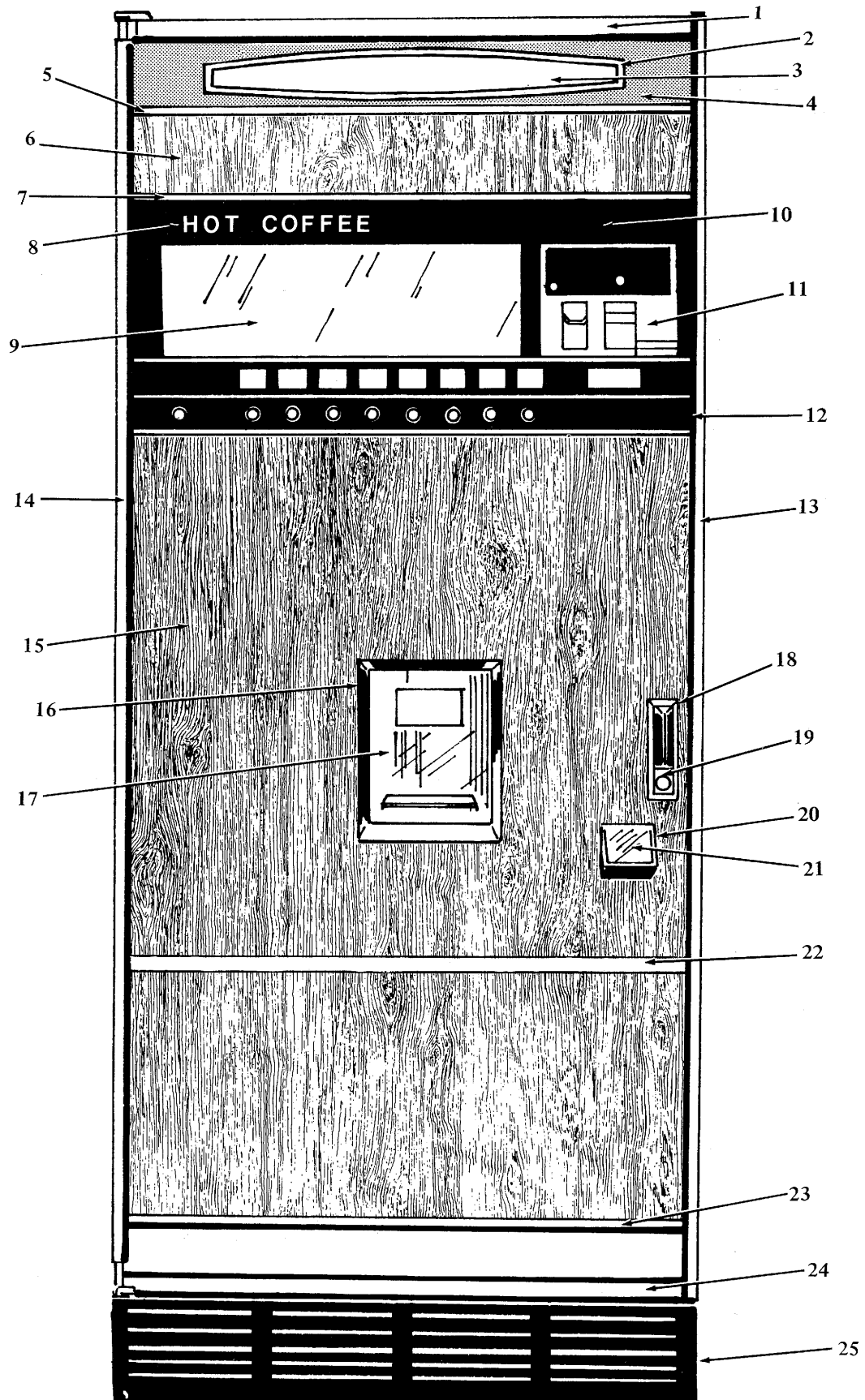


HBA7B – NATIONAL CROWN

ITEM NO.	CLIP - ON TRIM PART NO.	TEE BOLT TRIM PART NO.	NO. REQ.	PART NAME AND DESCRIPTION
-	380327-7	380327-7	1	Door Final Assembly
1	129162	308970-1	1	Trim - Door Top
-	366444	-	4	Clip - Moulding (AP for Item 1)
-	-	V328708	3	Tee Bolt (AP for Item 1)
-	-	V800956	3	Hex Nut & Lock Washer (AP for Item 1)
2	361589-3	361589-3	1	Sign Face
3	361590-1	361590-1	1	Sign Frame
4	379723	380970-1	1	Trim - Sign
-	V350494	V350494	3	Tee Bolts (AP for Item 4)
-	V800955	V800955	3	Hex Nut & Lock Washer (AP for Item 4)
5	129148-1	129148-1	1	Upper Panel Vinyl Assembly
6	379642	379642	1	Trim - Upper Center
-	V350494	V350494	3	Tee Bolt (AP for Item 6)
-	V800955	V800955	3	Hex Nut & Lock Washer (AP for Item 6)
7	-	-	1	Upper Panel Assembly (See Pages 28 & 29)
8	379551	379551	1	Sign - Display (See Pages 28 & 29)
9	-	-	1	Selection Panel (See Pages 28 & 29)
10	-	-	1	Coin Insert Assembly (See Pages 30 & 31)
11	379649-1	380971	1	Trim - R.H. Side
-	366444	-	8	Clip - Moulding (AP for Item 11)
-	-	V328708	3	Tee Bolt (AP for Item 11)
-	-	V800956	3	Hex Nut & Lock Washer (AP for Item 11)
12	379644-1	380972	1	Trim - R.H. Side
-	366444	-	8	Clip - Moulding (AP for Item 12)
-	-	328708	3	Tee Bolt (AP for Item 12)
-	-	V800956	3	Hex Nut & Lock Washer (AP for Item 12)
13	128737-2	128737-2	1	Panel - Lower Vinyl Assembly
14	330259	330259	1	Trim - Vend Door
-	V800818	V800818	6	Tapping Screw (AP for Item 14)
-	45404	45404	2	Cup Washer (AP for Item 14)
15	341870	341870	1	Vend Door (See Page 32)
16	369526	369526	1	Trim - Door Latch
-	V801011	V801011	1	Washer - Flat (AP for Item 16)
-	V800821	V800821	1	Tapping Screw (AP for Item 16)
-	V800831	V800831	1	Tapping Screw
17	127161-1	127161-1	1	Door Latch Assembly (See Page 35)
18	379619	379619	1	Trim - Coin Cup
-	379043	379043	1	Retainer - Trim (AP for Item 18)
-	322904	322904	2	Nut - Speed (AP for Item 18)
19	349892-2	349892-2	1	Door Coin Cup
20	379605-3	379605-3	1	Trim - Lower Panel
-	V801204	V801204	4	Tapping Screw (AP for Item 20)
21	None	380970-1	1	Trim - Bottom
-	None	V328708	3	Tee Bolt (AP for Item 21)
-	None	V800956	3	Hex Nut & Lock Washer (AP for Item 21)
22	123942-8	123942-8	1	Skirt Carton Assembly (See Page 42)

AP - Attaching Parts

HBA7B - NATIONAL IMPERIAL CROWN

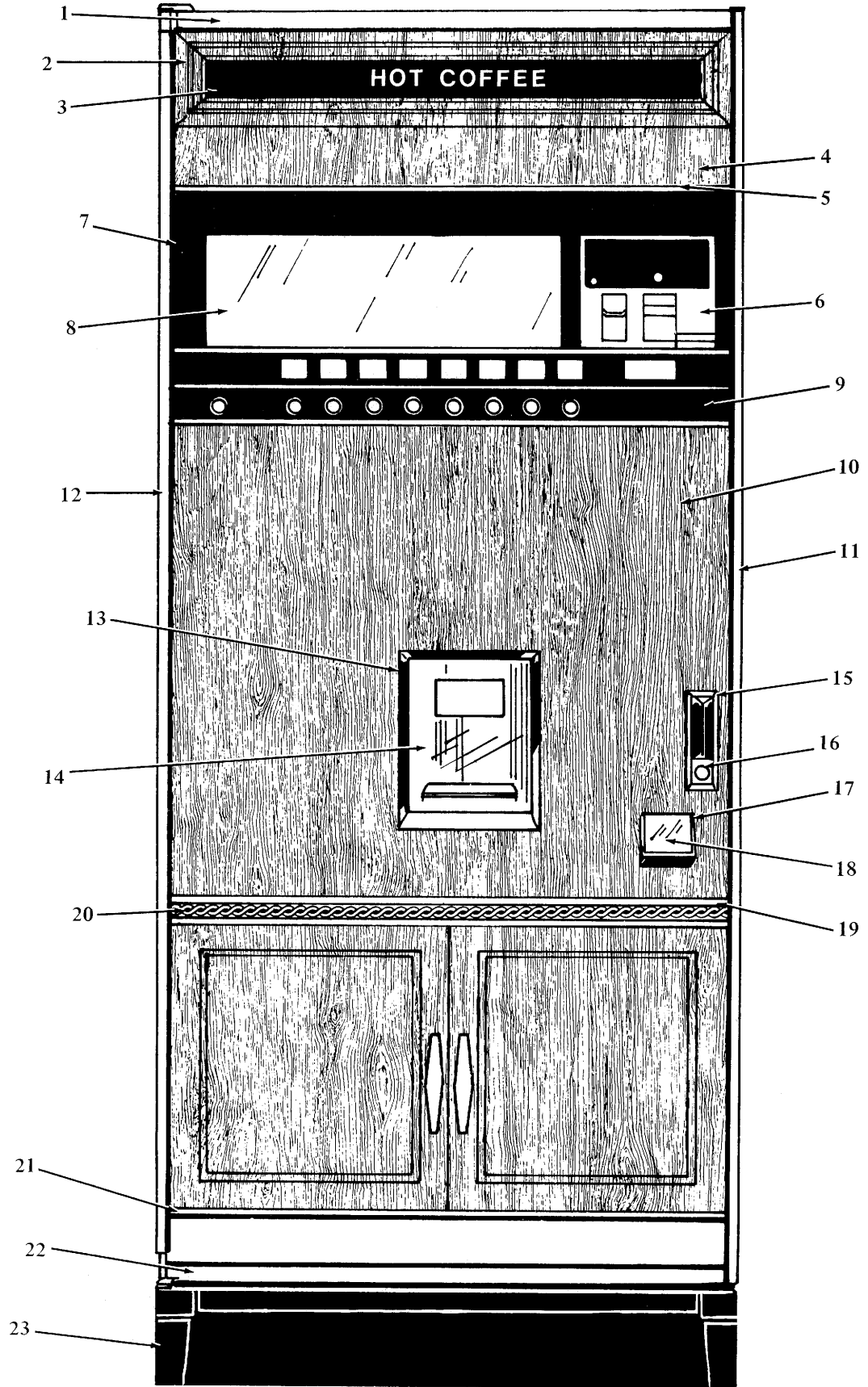


HBA7B – NATIONAL IMPERIAL CROWN

ITEM NO.	PART NO.	NO. REQ.	PART NAME AND DESCRIPTION
-	380327-9	1	Door Final Assembly (Tee Bolt Trim)
1	382153-1	1	Trim - Door Top
-	V328708	3	Tee Bolt (AP for Item 1)
-	V800956	3	Hex Nut & Lock Washer (AP for Item 1)
2	382177	1	Frame - Upper
3	382178	1	Strip - Upper (Decorative)
-	V800611	4	Tapping Screw (AP for Items 2 & 3)
4	130586	1	Upper Panel Vinyl Assembly
5	380975	1	Trim - Lower
-	V328708	3	Tee Bolt (AP for Item 4)
-	V800956	3	Hex Nut & Lock Washer (AP for Item 4)
6	130586	1	Panel - Upper Vinyl Assembly
7	379642	1	Trim - Center
-	V350494	3	Tee Bolt (AP for Item 6)
-	V800955	3	Hex Nut & Lock Washer (AP for Item 6)
8	379643	1	Strip - Product Ident.
9	379551	1	Sign - Display (See Pages 28 & 29)
10	-	1	Upper Panel Assembly (See Pages 28 & 29)
11	-	1	Coin Insert Assembly (See Pages 30 & 31)
12	-	1	Selection Panel (See Pages 28 & 29)
13	380971	1	Trim - Door R.H. Side
-	V328708	3	Tee Bolt (AP for Item 12)
-	V800956	3	Hex Nut & Lock Washer (AP for Item 12)
14	380972	1	Trim - Door L.H. Side
-	V328708	3	Tee Bolt (AP for Item 13)
-	V800956	3	Hex Nut & Lock Washer (AP for Item 13)
15	130568	1	Panel - Lower Vinyl Assembly
16	330259	1	Trim - Vend Door
-	45404	2	Cup Washer (AP for Item 15)
-	V800818	6	Tapping Screw (AP for Item 15)
17	341870	1	Vend Door (See Page 32)
18	369526	1	Trim - Door Latch
-	V801011	1	Flat Washer (AP for Item 17)
-	V800821	1	Tapping Screw (AP for Item 17)
-	V800831	1	Tapping Screw (AP for Item 17)
19	127161-1	1	Door Latch Assembly (See Page 35)
20	379619	1	Trim - Coin Cup
-	379043	1	Retainer - Coin Cup Trim (AP for Item 19)
-	322904	2	Hex Nut (AP for Item 19)
21	349892-2	1	Door - Coin Cup
22	380975	1	Trim - Lower
-	V328708	3	Tee Bolt (AP for Item 21)
-	V800956	3	Hex Nut & Lock Washer (AP for Item 21)
23	379605-3	1	Trim - Lower Panel
-	V801204	4	Tapping Screw (AP for Item 22)
24	380975	1	Trim - Lower (Bottom)
-	V328708	3	Tee Bolt (AP for Item 23)
-	V800956	3	Hex Nut & Lock Washer (AP for Item 23)
25	123942-8	1	Skirt Carton Assembly (See Page 42)

AP - Attaching Parts

HBA7B – NATIONAL GOLDEN FURNITURE

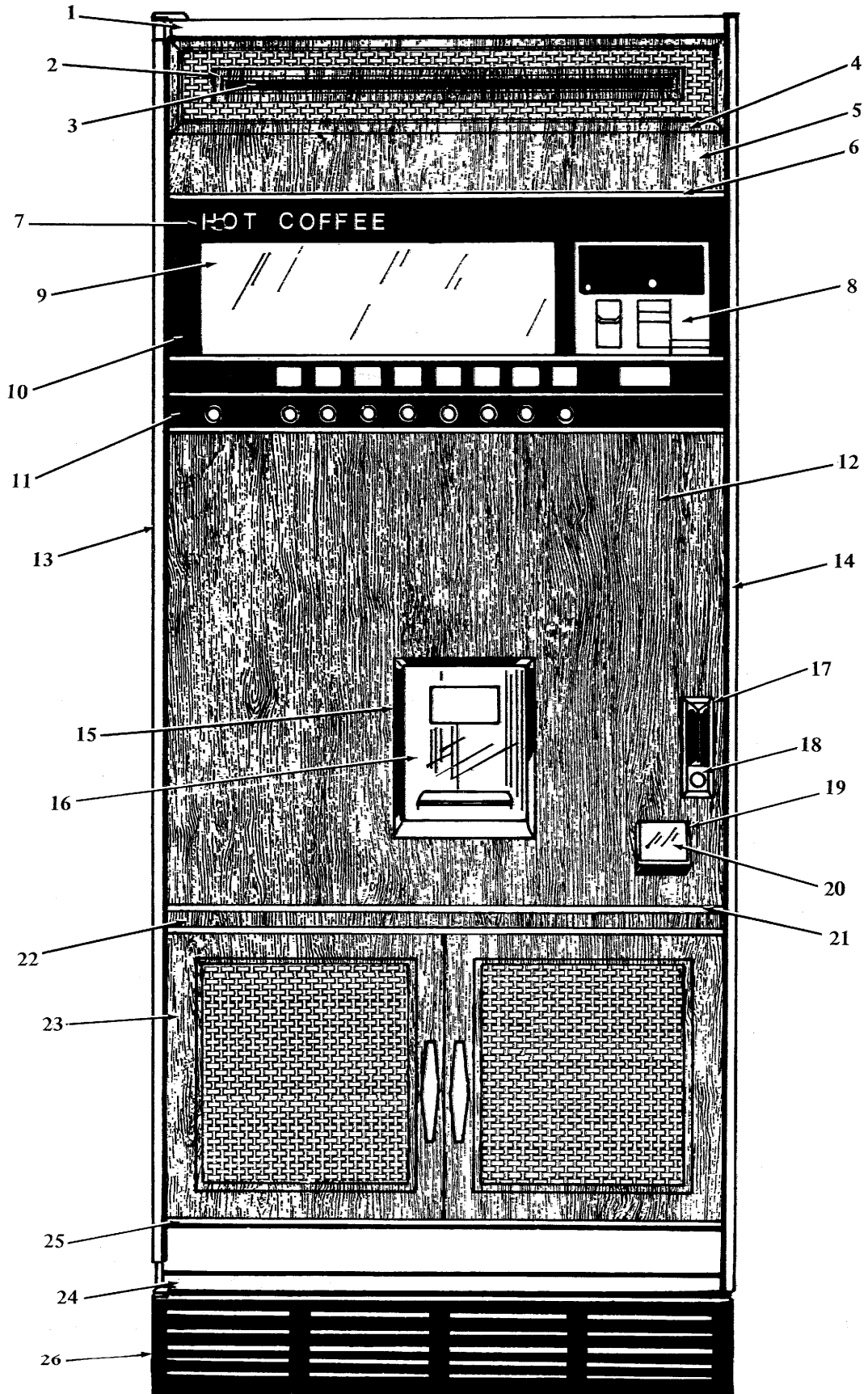


HBA7B - NATIONAL GOLDEN FURNITURE

ITEM NO.	PART NO.	NO. REQ.	PART NAME AND DESCRIPTION
-	380327-6	1	Final Door Assembly
1	379648	1	Trim - Top
-	V328708	3	Tee Bolt (AP for Item 1)
-	V800956	3	Hex Nut & Lock Washer (AP for Item 1)
2	376422	1	Sign Frame
-	V800611	6	Tapping Screw (AP for Items 2 & 3)
3	376418-10	1	Strip - Product Ident.
4	129148-3	1	Outer Panel - Upper
5	379642	1	Trim - Upper Center
-	V350494	3	Tee Bolt (AP for Item 5)
-	V800955	3	Hex Nut & Lock Washer (AP for Item 5)
6	-	1	Coin Insert Assembly (See Pages 30 & 31)
7	-	1	Upper Panel Assembly (See Pages 28 & 29)
8	379551	1	Sign - Display (See Pages 28 & 29)
9	-	1	Selection Panel (See Pages 28 & 29)
10	128740	1	Lower Panel Vinyl Assembly
11	379648-9	1	Trim - R.H. Side
-	V328708	3	Tee Bolt (AP for Item 11)
-	V801204	3	Hex Nut & Lock Washer (AP for Item 11)
12	379648-2	1	Trim - L.H. Side
-	V328708	3	Tee Bolt (AP for Item 12)
-	V801204	3	Hex Nut & Lock Washer (AP for Item 12)
13	330259	1	Trim - Vend Door
-	45404	2	Cup Washer (AP for Item 13)
-	V800818	6	Tapping Screw (AP for Item 13)
14	341870	1	Vend Door (See Page 32)
15	369526	1	Trim - Latch
-	V801011	1	Flat Washer (AP for Item 15)
-	V800821	1	Tapping Screw (AP for Item 15)
-	V800831	1	Tapping Screw (AP for Item 15)
16	127161-1	1	Door Latch Assembly (See Page 35)
17	379619	1	Trim - Coin Cup
-	379043	1	Retainer - Coin Cup Trim (AP for Item 17)
-	322904	2	Nut - Speed (AP for Item 17)
18	349892-2	1	Door - Coin Cup
19	376412	1	Trim - Lower Center
-	V800520	3	Tapping Screw (AP for Item 19)
20	376417-6	1	Strip - Lower Trim
21	379605-1	1	Trim - Lower Panel
-	V801204	4	Tapping Screw (AP for Item 21)
22	379648	1	Trim - Bottom
-	V328708	3	Tee Bolt (AP for Item 22)
-	V800956	3	Hex Nut & Lock Washer (AP for Item 22)
23	123942-9	1	Skirt Carton Assembly (See Page 42)

AP - Attaching Parts

HBA7B - NATIONAL GOLDEN II

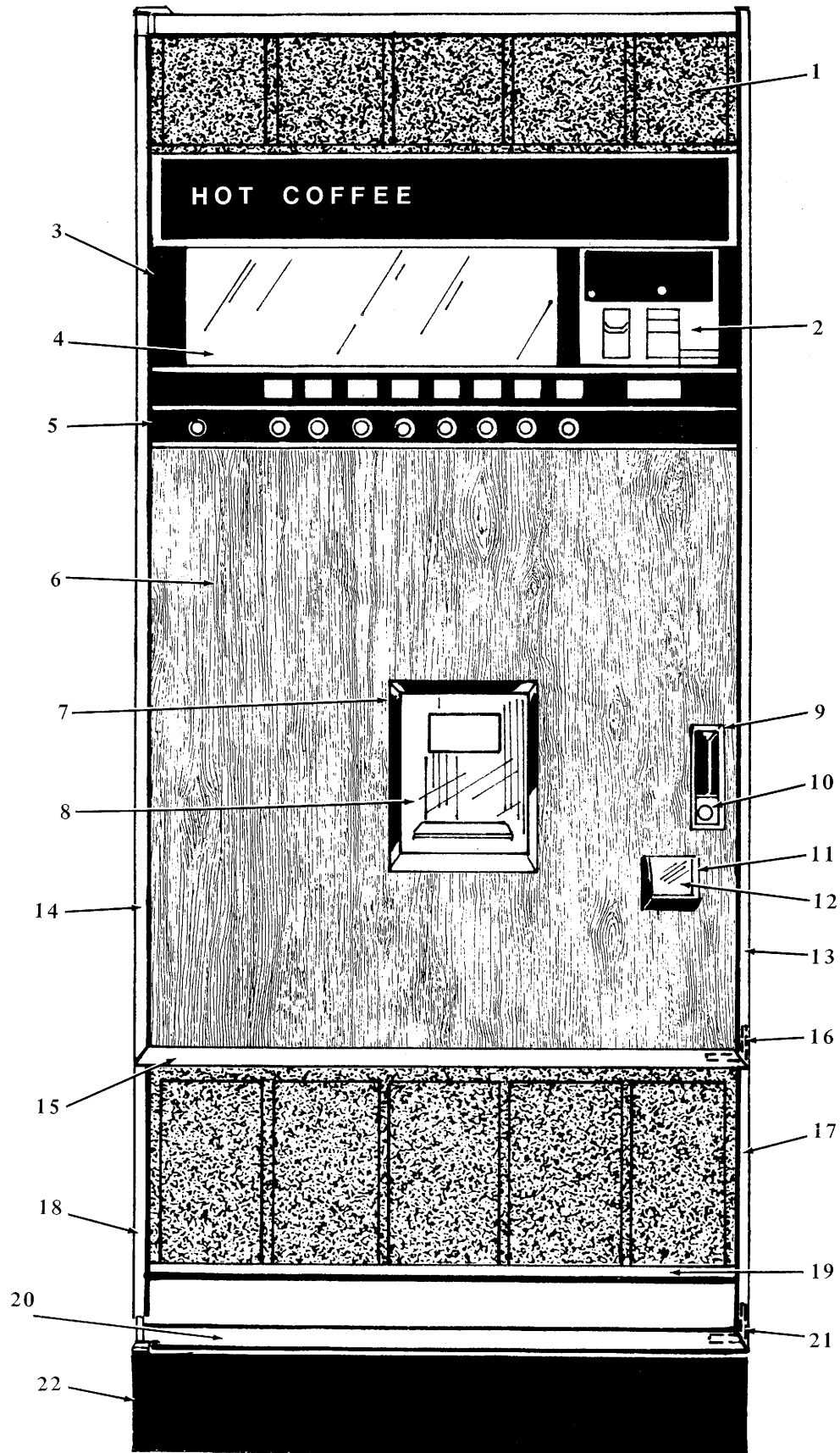


HBA7B – NATIONAL GOLDEN II

ITEM NO.	PART NO.	NO. REQ.	PART NAME AND DESCRIPTION
-	380327-8	1	Final Door Assembly
1	382143-1	1	Trim - Top
-	V328708	3	Tee Bolt (AP for Item 1)
-	V800956	3	Hex Nut & Lock Washer (AP for Item 1)
2	382121	1	Frame - Center Upper
3	382118	1	Strip - Upper
4	382120-1	1	Frame - Upper
-	V800611	16	Tapping Screw (AP for Items 2, 3 & 4)
5	130532	1	Upper Panel Vinyl Assy.
6	379642	1	Trim - Center
-	V350494	3	Tee Bolt (AP for Item 6)
-	V800955	3	Hex Nut & Lock Washer (AP for Item 6)
7	379643	1	Strip - Product Ident.
8	-	1	Coin Insert Assembly (See Pages 30 & 31)
9	379551	1	Sign - Display (See Pages 28 & 29)
10	-	1	Upper Panel Assembly (See Pages 28 & 29)
11	-	1	Selection Panel (See Pages 28 & 29)
12	130540	1	Lower Panel Vinyl Assembly
13	382145	1	Trim - Side L.H.
-	V328708	3	Tee Bolt (AP for Item 13)
-	V800956	3	Hex Nut & Lock Washer (AP For Item 13)
14	382144	1	Trim - Side R.H.
-	V328708	3	Tee Bolt (AP for Item 14)
-	V800956	3	Hex Nut & Lock Washer (AP for Item 14)
15	330259	1	Trim - Vend Door
-	45404	2	Cup Washers (AP for Item 15)
-	V800818	6	Tapping Screw (AP for Item 15)
16	341870	1	Vend Door (See Page 32)
17	369526	1	Latch Trim
-	V801011	1	Flat Washer (AP for Item 17)
-	V800821	1	Tapping Screw (AP for Item 17)
-	V800831	1	Tapping Screw (AP for Item 17)
18	127161-1	1	Door Latch Assembly (See Page 35)
19	379619	1	Trim - Coin Cup
-	379043	1	Retainer - Coin Cup Trim (AP for Item 19)
-	322904	2	Nut - Speed (AP for Item 19)
20	349892-2	1	Door - Coin Cup
21	376412	1	Trim - Lower Center
-	V801318	3	Machine Screw (AP for Item 21)
-	V800956	3	Hex Nut & Lock Washer (AP for Item 21)
22	130531-3	1	Strip - Lower Trim - Vinyl
23	382126	1	Frame - Lower
-	V800611	15	Tapping Screw (AP for Item 23)
24	382142	1	Trim - Lower Door
-	V328708	3	Tee Bolt (AP for Item 24)
-	V800956	3	Hex Nut & Lock Washer (AP for Item 24)
25	382197	2	Cover - Frame (Tape)
26	123942-9	1	Skirt Carton Assembly (See Page 42)

AP - Attaching Parts

HBA7B - GRANDURA

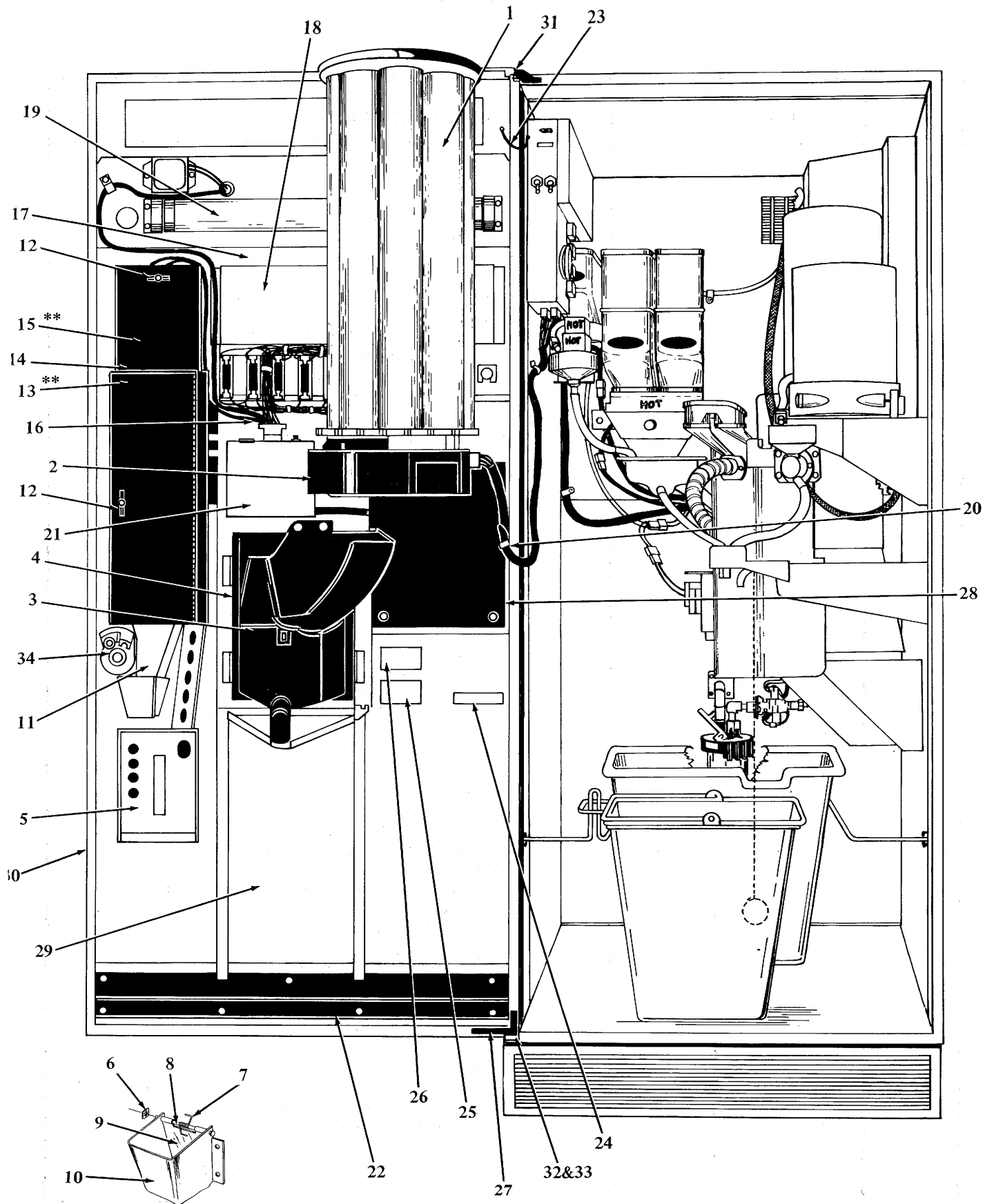


HBA7B – GRANDURA

ITEM NO.	PART NO.	NO. REQ.	PART NAME AND DESCRIPTION
-	380327-4	1	Door Final Assembly
1	370795	1	Upper Outer Panel - Door
-	V801322	6	Tapping Screw (AP for Item 1)
-	V801011	6	Washer (AP for Item 1)
-	376696	1	Retainer (AP for Item 1)
-	V801204	3	Tapping Screw (AP for Item 1)
2	-	1	Coin Insert Assembly (See Pages 30 & 31)
-	V801312	12	Tapping Screw (AP for Item 3)
3	-	1	Upper Panel Assembly (See Pages 28 & 29)
4	379551	1	Sign - Display (See Pages 28 & 29)
5	-	1	Selection Panel (See Pages 28 & 29)
6	128738	1	Outer Panel Door - Lower
7	330259	1	Trim - Vend Door
-	V800818	6	Tapping Screw (AP for Item 7)
-	45404	2	Cup Washers (AP for Item 7)
8	341807	1	Vend Door (See Page 32)
9	369526	1	Trim Latch
-	V801011	1	Flat Washer (AP for Item 9)
-	V800821	1	Tapping Screw (AP for Item 9)
-	V800831	1	Tapping Screw (AP for Item 9)
10	127161-1	1	Door Latch Assembly (See Page 35)
11	379619	1	Trim - Coin Cup
-	379043	1	Retainer - Coin Cup (AP for Item 10)
-	322904	2	Nut (AP for Item 10)
12	349892-2	1	Door - Coin Cup
13	379727-1	1	Trim - Side (Right)
-	V328708	3	Tee Bolt (AP for Item 13)
-	V800956	3	Hex Nut & Lock Washer (AP for Item 13)
14	379727-2	1	Trim - Side (Left)
-	V328708	3	Tee Bolt (AP for Item 14)
-	V800956	3	Hex Nut & Lock Washer (AP for Item 14)
15	379727	1	Trim - Lower Center
-	372358	1	Screw - Strip (AP for Item 15)
-	V801203	1	Tapping Screw (AP for Item 15)
16	333967-5	1	Angle Corner (AP for Items 13 & 15)
-	V801203	2	Tapping Screw (AP for Item 16)
17	380976	1	Trim - Lower R.H. Side (Mitered Bottom Corner)
17	379650-1	1	Trim - Lower R.H. Side (Square Cut Bottom)
-	366444	2	Clip - Moulding (AP for Item 17)
18	379650	1	Trim - Lower L.H. Side
-	366444	2	Clip - Moulding (AP for Item 18)
19	379605-1	1	Trim - Lower Panel
-	V801204	4	Tapping Screw (AP for Item 19)
20	380976-2	1	Trim - Bottom (If Used With Mitered Corner)
-	V328708	3	Tee Bolt (AP for Item 20)
-	V800956	3	Hex Nut & Lock Washer (AP for Item 20)
21	333967-5	1	Angle Corner (Used Only With Mitered Corner & Item 20)
-	V801203	1	Tapping Screw (AP for Item 21)
22	123942-7	1	Skirt Carton Assembly (See Page 42)

AP - Attaching Parts

HBA7B INTERIOR VIEW - INSIDE COMMON DOOR



HBA7B INTERIOR VIEW – INSIDE COMMON DOOR

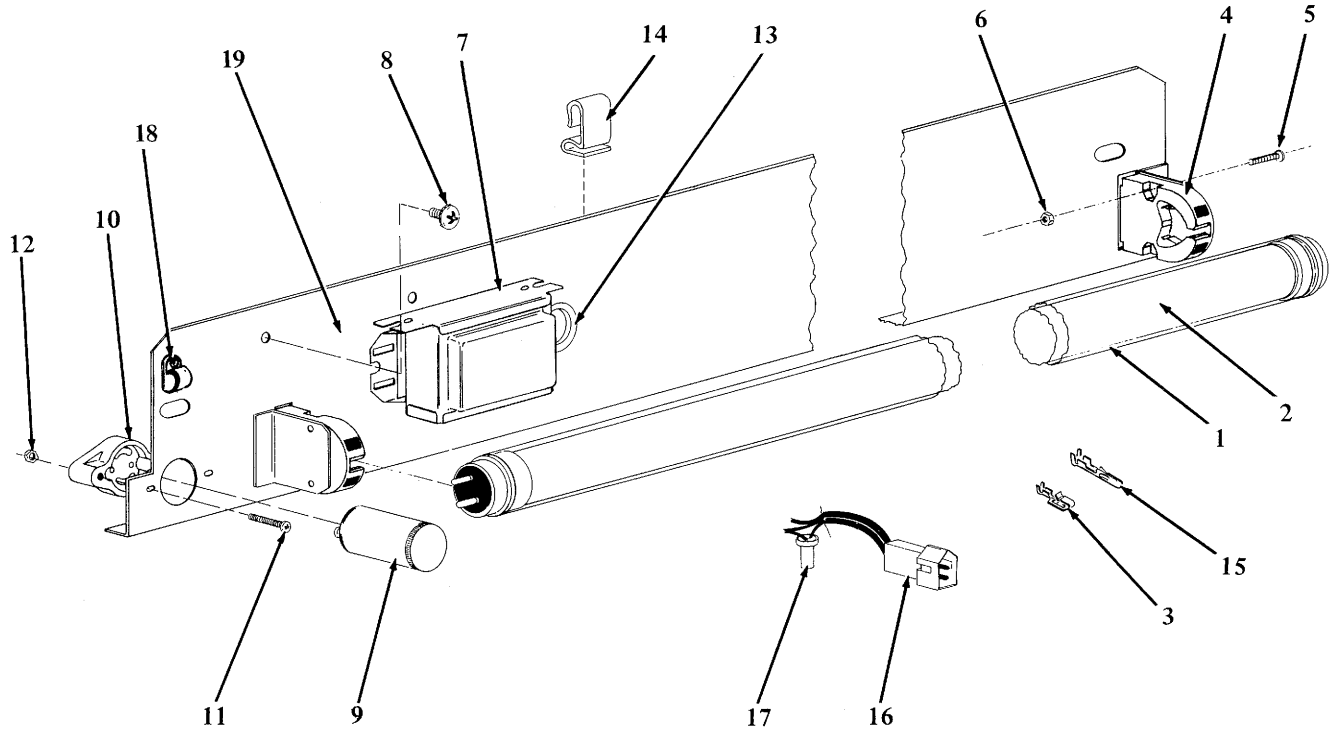
ITEM NO.	PART NO.	NO. REQ.	PART NAME AND DESCRIPTION
1	123062	1	Cup Turret Assembly (See Pages 36 & 37)
2	-	1	Cup Dropper Assembly (See Pages 36 & 37)
-	V801360	4	Tapping Screw (AP for Item 2)
3	117546	1	Cup Chute Assembly (See Page 33)
4	341870	1	Vend Door Assembly (See Page 32)
5	119032	1	Coin Box Weld Assembly
6	V337564	1	Speed Nut - Push On
7	350338	1	Spring
8	346087-1	1	Pin
9	349892-2	1	Door - Coin Cup
10	349894	1	Coin Cup - Plastic
-	V800956	4	Hex Nut (AP for Item 10)
11	123129	1	Coin Return Chute Assembly
-	V800565	2	Tapping Screw (AP for Item 11)
12	379407-1	2	Latch
13 **	129180	1	Coinage Cover Weld Assembly
-	V801204	2	Tapping Screw (AP for Item 13)
14	-	1	Coin Changer *
-	V800082	3	Machine Screw (AP for Item 14)
15 **	379733	1	Cover - Coin Insert
16	129578	1	Selection Harness (See Page 25)
17	-	1	Upper Panel Assembly (See Pages 28 & 29)
18	379580	1	Reflector - Sign
-	V801204	14	Tapping Screw (AP for Item 18)
19	129349	1	Lamp Assembly (See Page 24)
-	V801204	3	Tapping Screw (AP for Item 19)
20	324099-8	1	Cable - Clamp
-	V801204	1	Tapping Screw (AP for Item 20)
21	129576	1	Door Harness Assembly (See Pages 26 & 27)
-	V801204	2	Tapping Screw (AP for Item 21)
22	379618-3	1	Grill - Lower Door
-	V801204	7	Tapping Screw (AP for Item 22)
23	113577-5	1	Ground Strap
-	V801204	1	Tapping Screw (AP for Item 23)
-	V801312	1	Tapping Screw (AP for Item 23)
24	373537	1	Label - FOR INDOOR USE ONLY
25	38421	1	Label - PATENT NOTICE
26	326915	1	Label - Parts Replacement Information
27	379606	1	Gasket - Hinge
28	129169-1	1	Bracket - Cup Dropper
-	V800272	2	Machine Screw (AP for Item 28)
-	V800704	2	Machine Screw (AP for Item 28)
29	129149	1	Door Panel Weld Assembly
-	V801204	4	Tapping Screw (AP for Item 29)
-	V801312	10	Tapping Screw (AP for Item 29)
30	129152-4	1	Door Frame Weld Assembly
31	365453	1	Hinge Pin (Upper)
-	365454	1	Set Screw (AP for Item 31)
32	365822	1	Spacer - Hinge Pin (Lower)
33	365822-1	1	Spacer - Hinge Pin (Lower)
34	127161-1	1	Door Latch Assembly (See Page 35)
35	129706	1	Coinage Cover Weld Assembly

AP - Attaching Parts

* Reference Manufactures Manual for Parts & Service

** Item 35 - Single Cover Replacement for Items 13 & 15

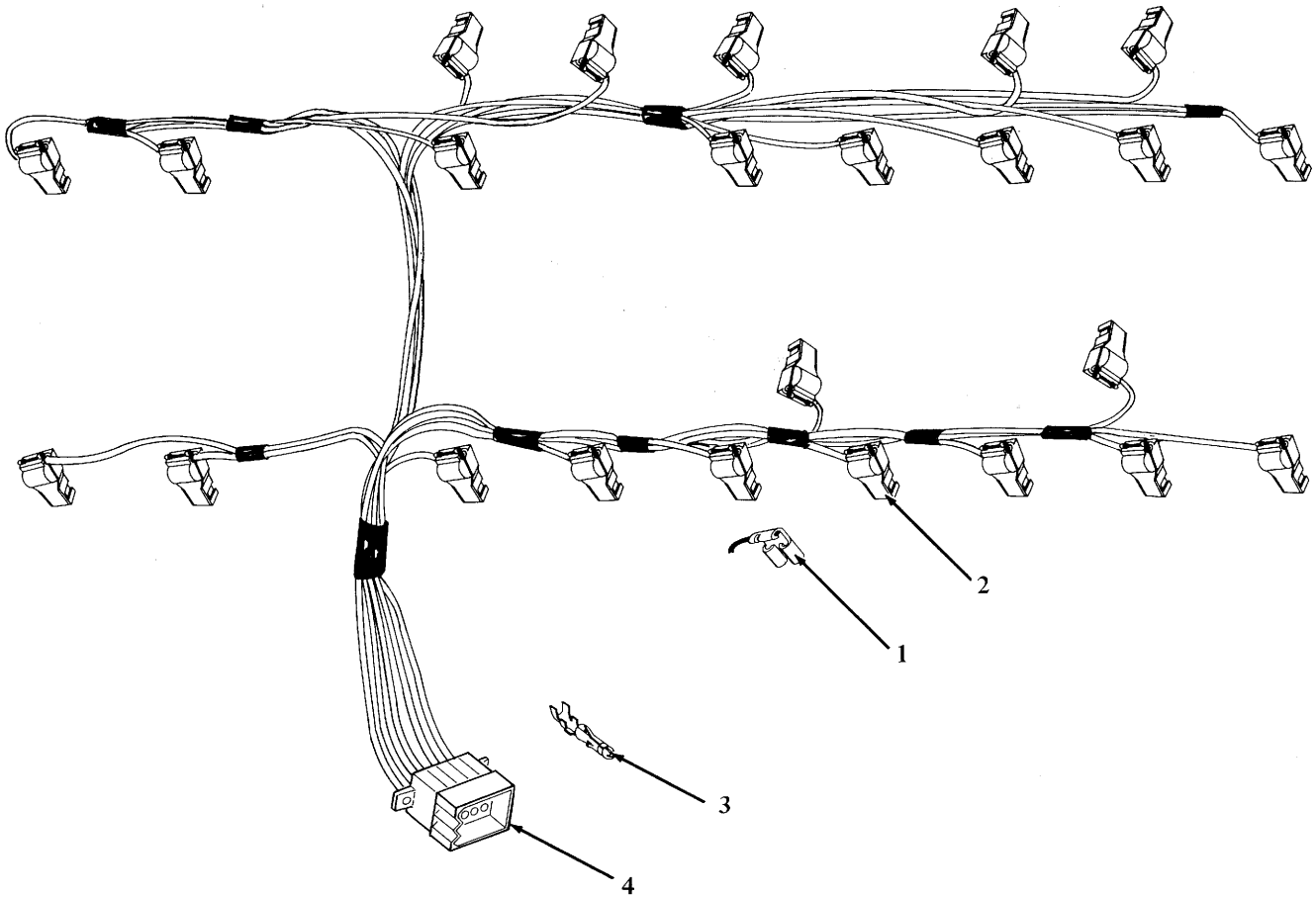
**DISPLAY LIGHT ASSEMBLY
(NATIONAL CROWN AND GOLDEN FURNITURE STYLES)**



ITEM NO.	PART NO.	NO. REQ.	PART NAME AND DESCRIPTION
-	129349	1	Display Light Assembly
1	379967	1	Shield - Lamp
2	362982	1	Lamp - Fluorescent
3	343300	4	Terminal - Lamp Holder
4	343301	2	Lamp Holder
5	V800025	4	Machine Screw (AP for Item 4)
6	V800889	4	Nut - Machine Screw (AP for Item 4)
7	321345-2	1	Ballast
8	V801204	2	Tapping Screw (AP for Item 7)
9	321350	1	Starter
10	321344	1	Socket - Starter
11	V800027	2	Machine Screw (AP for Item 10)
12	V800889	2	Nut - Machine Screw (AP for Item 10)
13	V329607	1	Grommet
14	380661	2	Clip - Wire
15	320196	2	Terminal - Male
16	345005-1	1	Plug - 2 Terminal
17	41707	2	Wire Nut
18	324099-2	1	Clamp
-	V801204	1	Tapping Screw (AP for Item 18)
19	129136	1	Reflector Weld Assembly

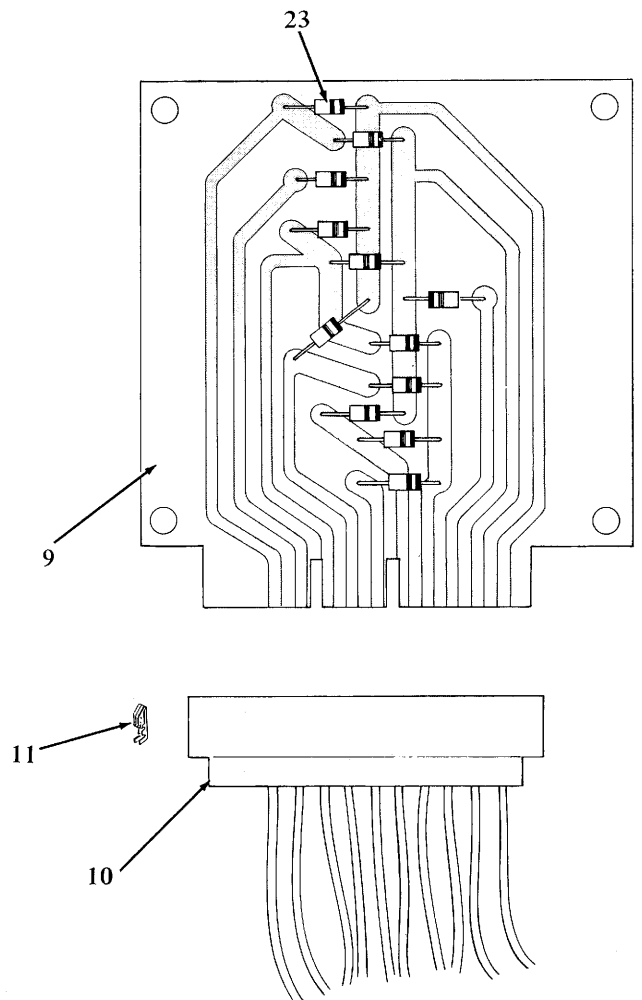
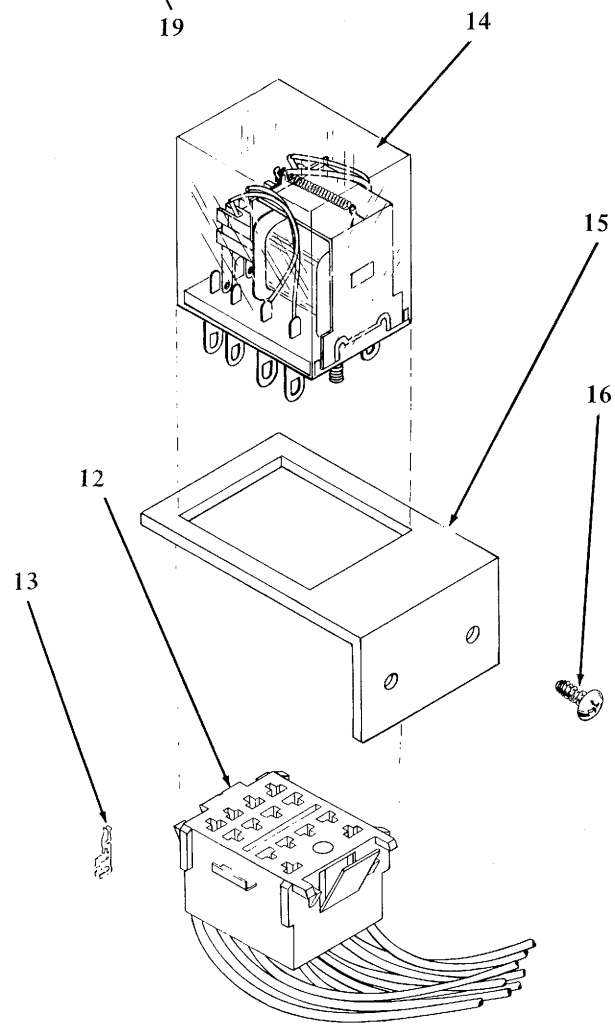
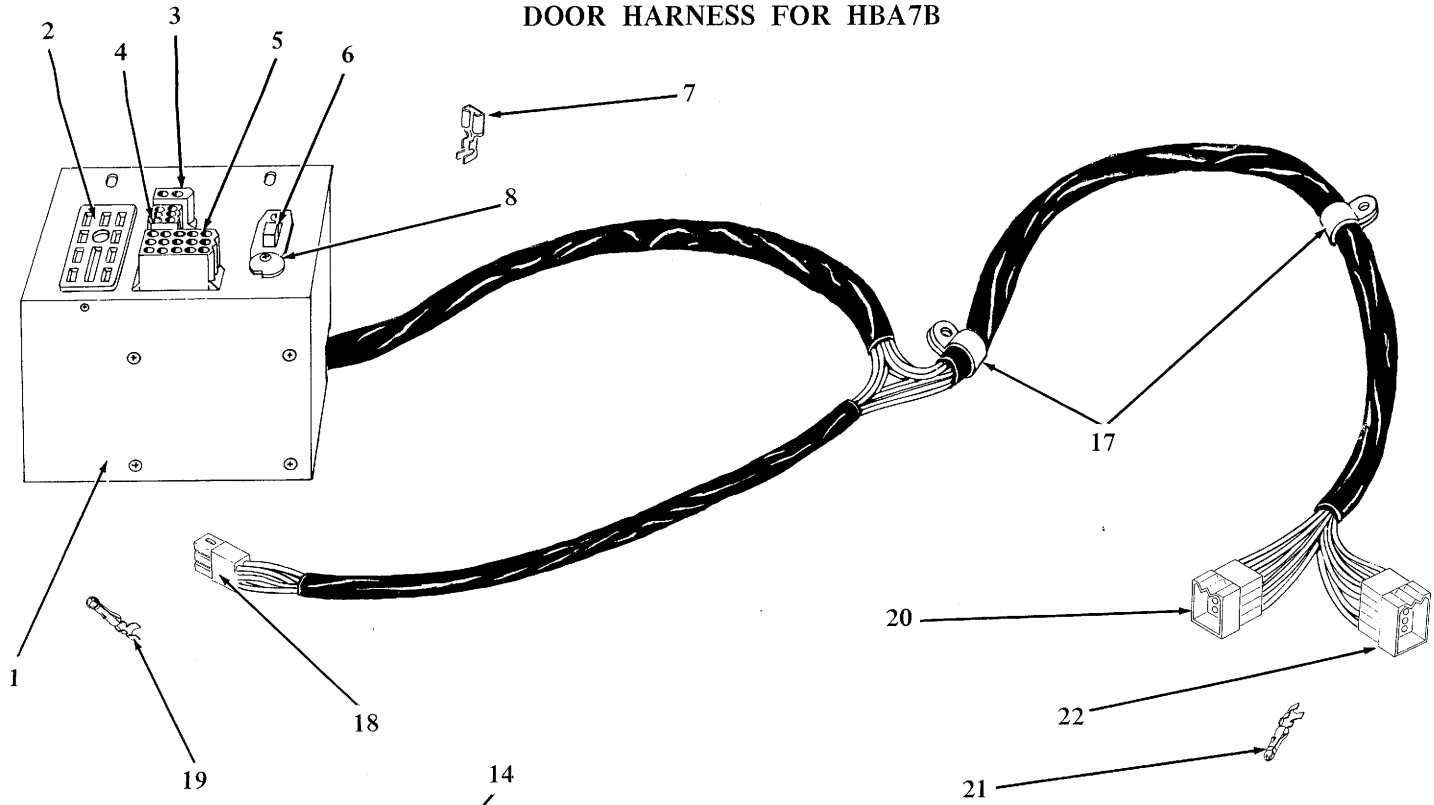
AP - Attaching Parts

SELECTION HARNESS



ITEM NO.	PART NO.	NO. REQ.	PART NAME AND DESCRIPTION
-	129578	1	Selection Harness
1	44617	24	Terminal - Female Quick Connect
2	341203	24	Cover - Flag
3	320196	11	Terminal - Male
4	345006	1	Plug - 15 Terminal

DOOR HARNESS FOR HBA7B

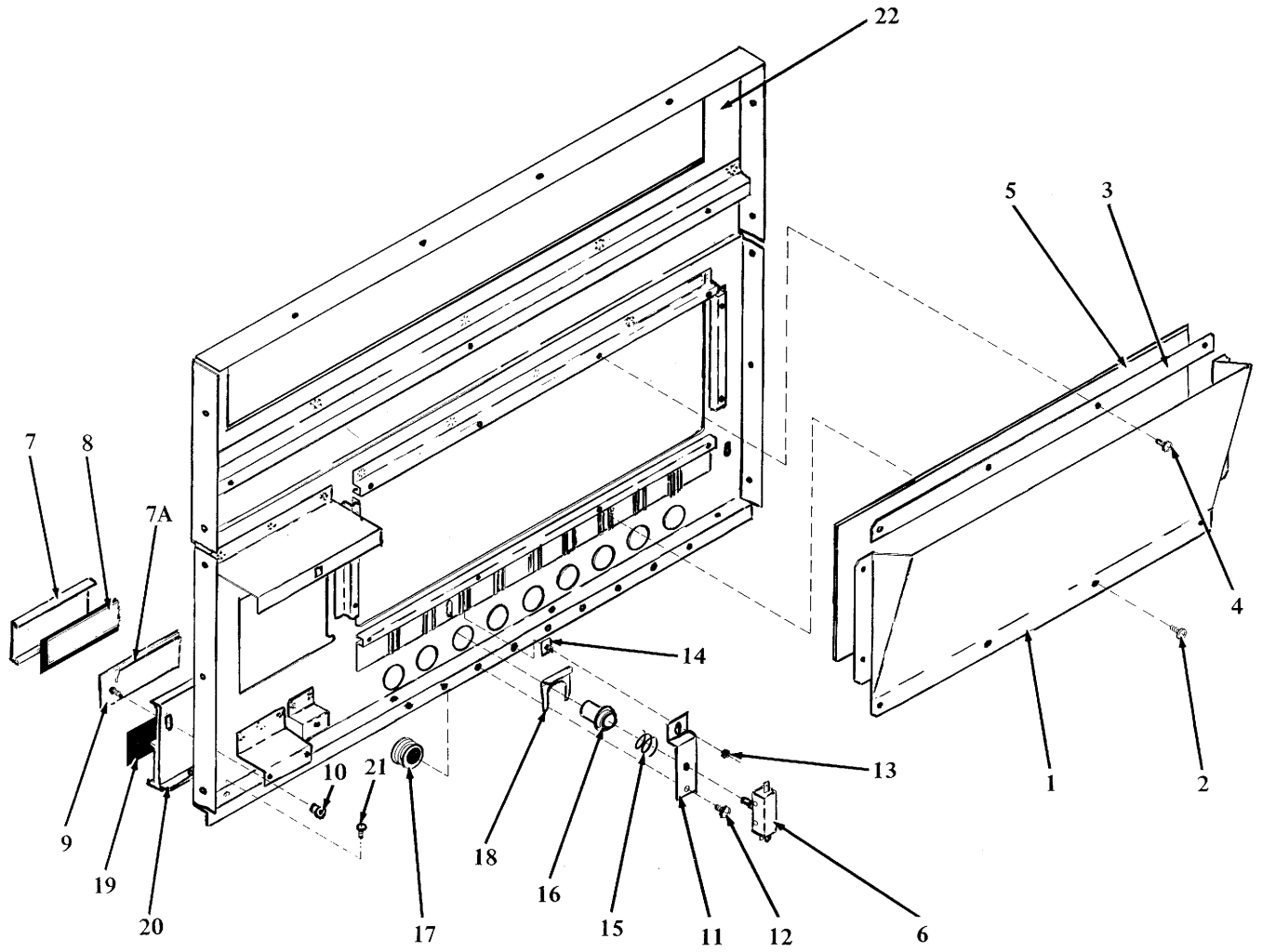


DOOR HARNESS FOR HBA7B

ITEM NO.	Standard Regular Coffee PART NO.	Strong Coffee PART NO.	NO. REQ.	PART NAME AND DESCRIPTION
-	129576	129577	1	Door Harness
1	380340	380340	1	Box - Door Harness
2	327254	327254	1	Receptacle
-	327060	327060	6	Terminal
-	V800331	V800331	2	Machine Screw & Lock Washer
3	345008	345008	1	Receptacle - 2 Terminal
4	345738-2	345738-2	1	Receptacle - 6 Terminal
5	345007	345007	1	Receptacle - 15 Terminal
-	320195	320195	A/R	Terminal (Female) Used With Items 2, 3, 4 & 5
6	379424	379424	1	Switch - Momentary
7	612139-2	612139-2	2	Terminal (AP for Item 6)
8	379285	379285	1	Lock Switch
-	V800629	V800629	2	Tapping Screw (AP for Items 6 & 7)
-	360956	360956	2	Receptacle - 1 Terminal (Inside Box)
-	320195	320195	2	Terminal (Female) (Inside Box)
-	365689	365689	1	Plug - 1 Terminal (Inside Box)
-	320196	320196	1	Terminal (Male) (Inside Box)
9	129637	129637	1	P C Board Assembly (Inside Box)
-	376248	376248	4	Stepper Standoff (Inside Box) (AP for Item 9)
-	V800819	V800819	8	Tapping Screw (Inside Box) (AP for Item 9)
10	379139-3	379139-3	1	Edge Connector (Inside Box)
11	379144	379144	10	Terminal (Used with Item 10)
12	-	361833	1	Receptacle - Relay Socket (Inside Box)
13	-	361834	7	Terminal (Used with Item 12)
14	-	361421	1	Relay (Inside Box)
15	-	380703	1	Mounting Bracket (AP for Items 12, 13 & 14)
16	-	V801204	2	Tapping Screw (AP for Item 15)
17	324099-7	324099-7	3	Clamp
-	V800346	V800346	1	Machine Screw (AP for Item 17)
-	V800957	V800957	1	Hex Nut & Lock Washer (AP for Item 17)
18	345738-1	345738-1	1	Receptacle - 6 Terminal
19	320195	320195	A/R	Terminal (Female)
20	345739-1	345739-1	1	Plug - 12 Terminal
21	320196	320196	A/R	Terminal - Male
22	345006	345006	1	Plug - 15 Terminal
23	370702	370702	12	Diode

AP - Attaching Parts

UPPER PANEL ASSEMBLY



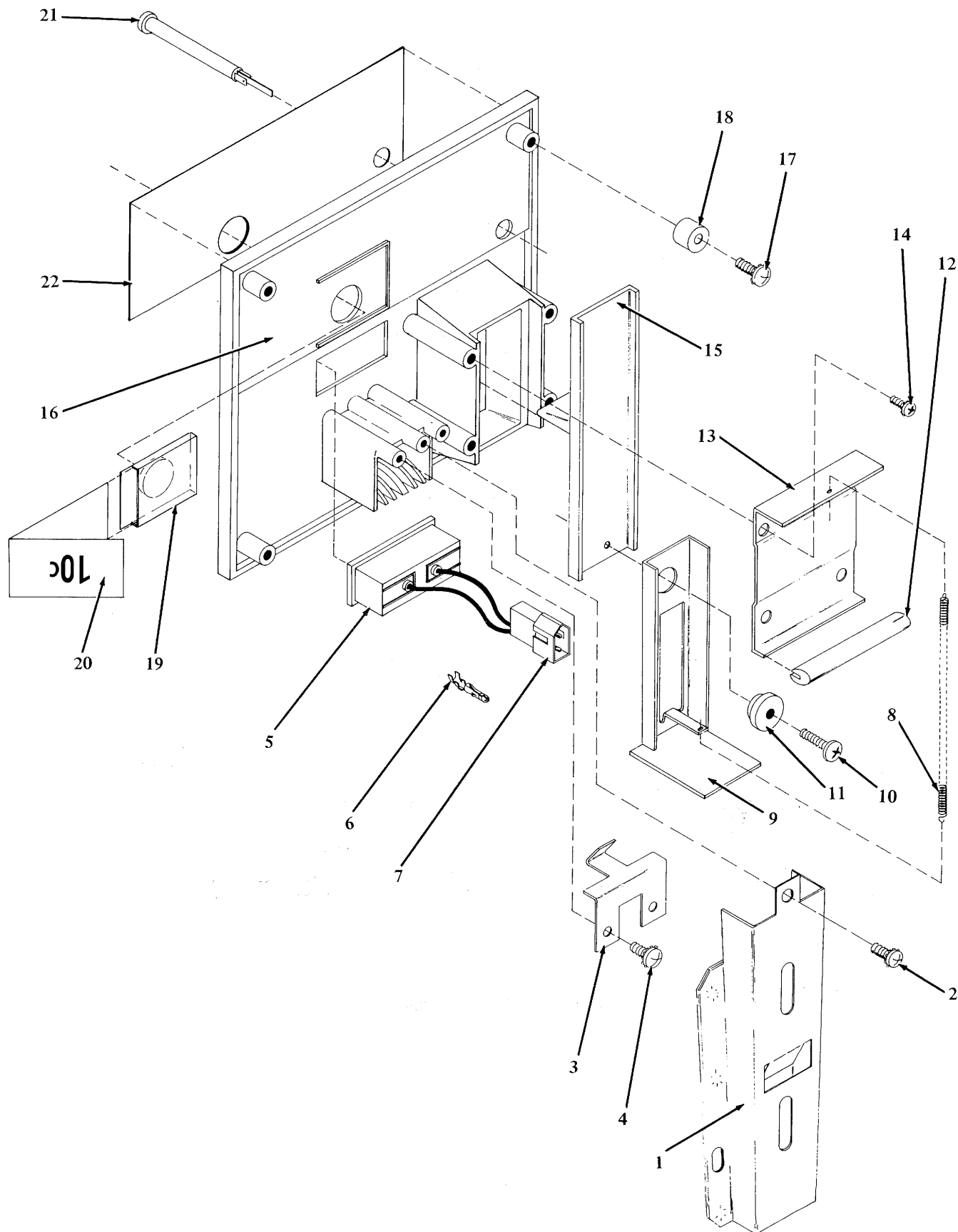
UPPER PANEL ASSEMBLY

ITEM NO.	PART NO.	NO. REQ.	PART NAME AND DESCRIPTION
-	-	1	Upper Panel Assembly
1	379580	1	Reflector - Sign
2	V801204	8	Tapping Screw (AP for Item 1)
3	379571	1	Retainer - Sign
4	V801204	4	Tapping Screw (AP for Item 3)
5	379551	1	Sign - Display
6	323007	A/R	Switch
7	379553	1	Panel - Flavor Strip
7A	-	A/R	Product Labels (See Page 77)
-	379581	1	Information Label
8	379587	1	Frame - Flavor Strip
9	129143	1	Backing Plate - Flavor Strip
10	327450	3	Thumb Nut (AP for Item 9)
11	379557	A/R	Bracket - Switch
12	V801204	A/R	Tapping Screw (AP for Item 11)
13	V800952	A/R	Hex Nut (AP for Item 11)
14	V328761	A/R	Tee Bolt (AP for Item 11)
15	379543	A/R	Spring - Push Button
16	379572	A/R	Push Button
16*	379562	A/R	Plug Button
17	379573	A/R	Guide - Push Button
18	379548	A/R	Retainer - Push Button Guide (AP for Item 17)
19	379565	1	Black Plastic Strip - Push Button
20	379588	1	Trim - Push Button
21	V801204	4	Tapping Screw (AP for Item 20)
22	129133	1	Upper Panel Weld Assembly

AP - Attaching Parts

* Use only when tea or soup options are not provided.

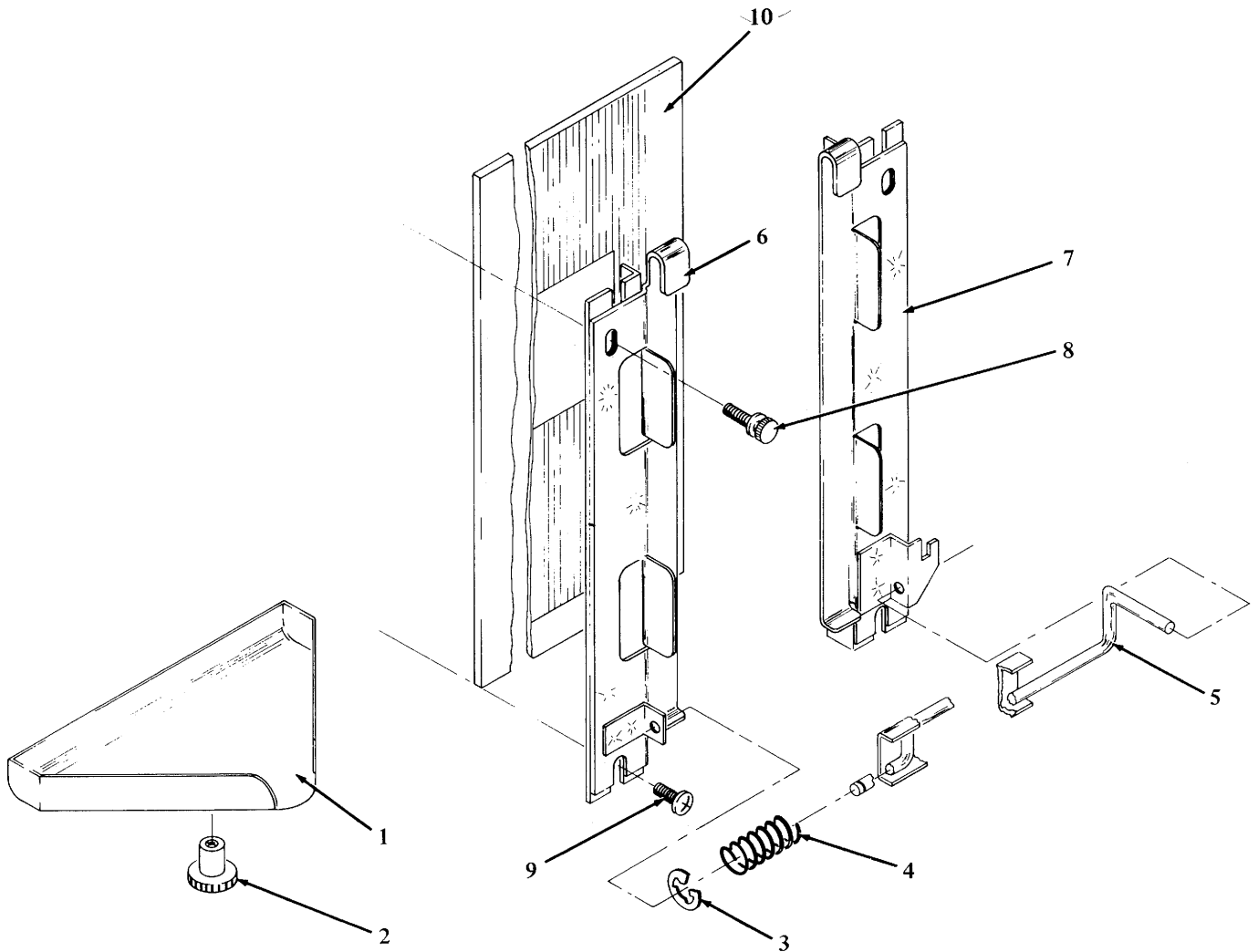
COIN INSERT ASSEMBLY



COIN INSERT ASSEMBLY

ITEM NO.	PART NO.	NO. REQ.	PART NAME AND DESCRIPTION
-	-	1	Coin Insert Assembly
1	129142	1	Coin Chute Weld Assembly
2	V800829	3	Tapping Screw (AP for Item 1)
3	379544	1	Retainer - Lamp
4	V800829	2	Tapping Screw (AP for Item 1)
-	129164	1	Lamp Assembly - Correct Change
5	379686	1	Lamp
6	320196	2	Terminal - Male
7	345005-1	1	Plug - 2 Terminal
8	379539	1	Spring - Extension
9	379585	1	Angle - Coin Return
10	V800829	2	Tapping Screw (AP for Item 9)
11	379546	2	Bushing - Shoulder (AP for Item 9)
12	379653	1	Stop - Rubber
13	379568	1	Retainer - Handle
14	V800829	4	Tapping Screw (AP for Item 13)
15	379531	1	Handle - Coin Return
16	379595	1	Casting - Coin Insert
17	V800829	4	Tapping Screw (AP for Item 16)
18	337241-1	4	Cup Washer (AP for Item 16)
19	379550	1	Price Window
20	379654	1	Label - Price
21	379688	1	Indicator Lamp (Red)
22	379563	1	Plate - Instruction
			AP - Attaching Parts

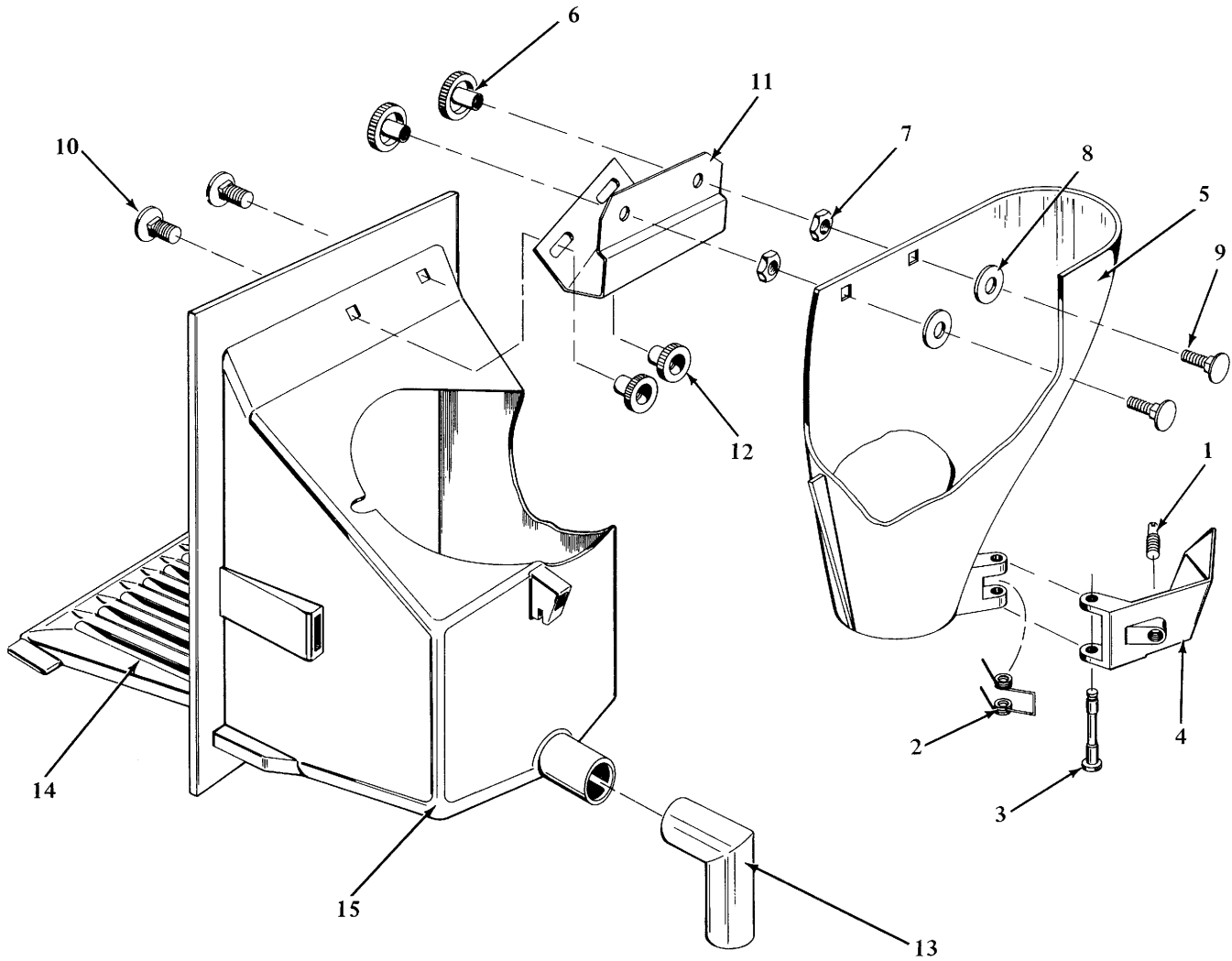
VEND DOOR ASSEMBLY



ITEM NO.	PART NO.	NO. REQ.	PART NAME AND DESCRIPTION
-	-	1	Vend Door Assembly
1	117513-1	1	Drip Tray Weld Assembly
2	340561	1	Thumb Screw (AP for Item 1)
3	V801077	1	Retainer Ring
4	331008	1	Spring
5	128718	1	Retainer - Cup Chute
6	119540-1	1	Bracket - R.H. Vend Door
7	119539-1	1	Bracket - L.H. Vend Door
8	45133	2	Thumb Screw (AP for Items 6 & 7)
9	V801204	2	Tapping Screw (AP for Items 6 & 7)
10	341870	1	Vend Door - Plastic

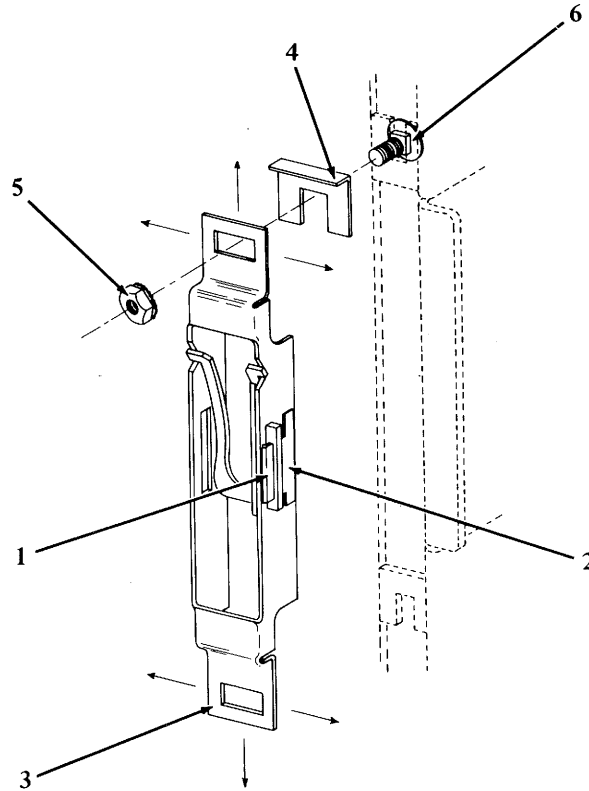
AP - Attaching Parts

CUP CHUTE ASSEMBLY



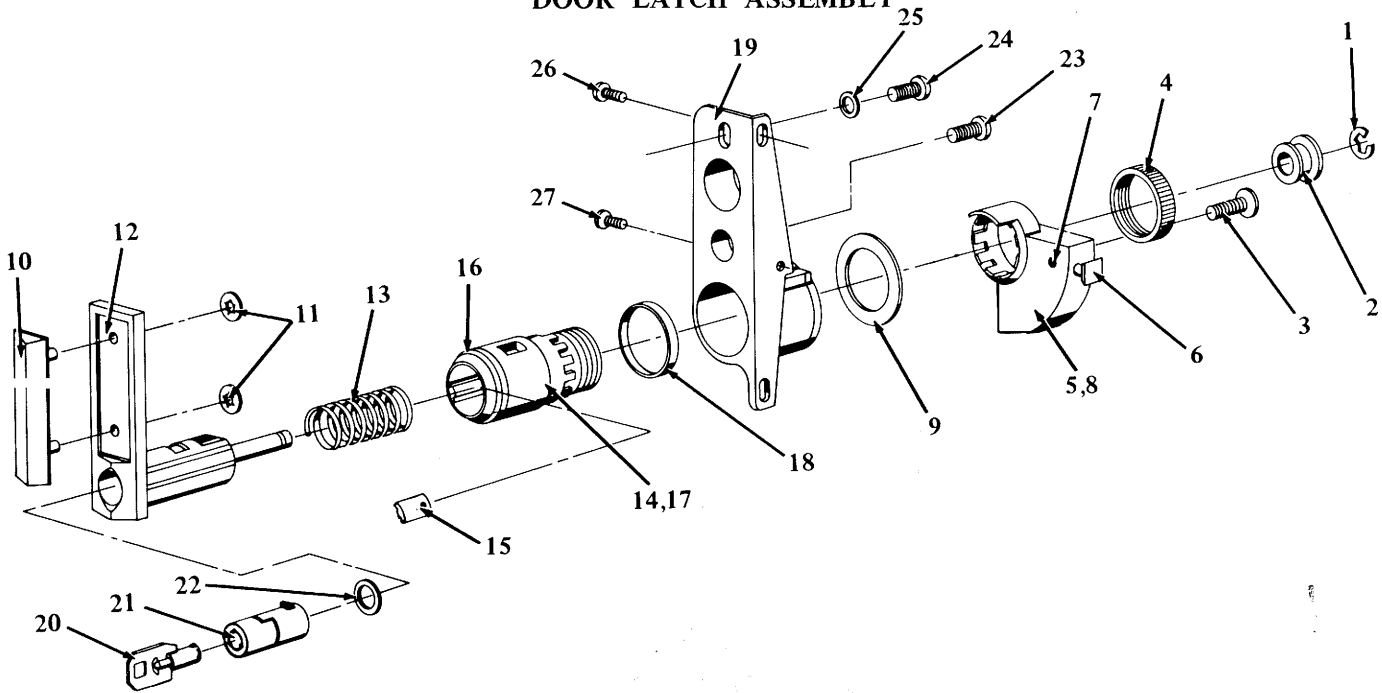
ITEM NO.	PART NO.	NO. REQ.	PART NAME AND DESCRIPTION
-	117546-3	1	Cup Chute Assembly
1	339133	1	Screw - Adjustment
2	338818	1	Spring
3	339132	1	Hinge Pin
4	338820-3	1	Gate - Slide
5	360296-1	1	Cup Chute
6	340561	2	Thumb Nut
7	V801209	2	Hex Nut
8	V801215	2	Flat Washer
9	V354641	2	Carriage Bolt
10	356103	2	Carriage Bolt
11	354638	1	Bracket
12	354730	2	Thumb Nut
13	356422	1	Drain Tube
14	331012-4	1	Grille - Cup Station
15	338826-1	1	Housing - Cup Station

CABINET LATCH ASSEMBLY



ITEM NO.	PART NO.	NO. REQ.	PART NAME AND DESCRIPTION
-	125510	1	Cabinet Latch Assembly
1	368353	1	Strike
2	366540	1	Retainer
3	122751	1	Cabinet Latch Weld Assembly
4	365567	2	Spacer
-	365567-1	2	Spacer
5	V800959	2	Hex Nut & Lock Washer
6	V801314	2	Carriage Bolt

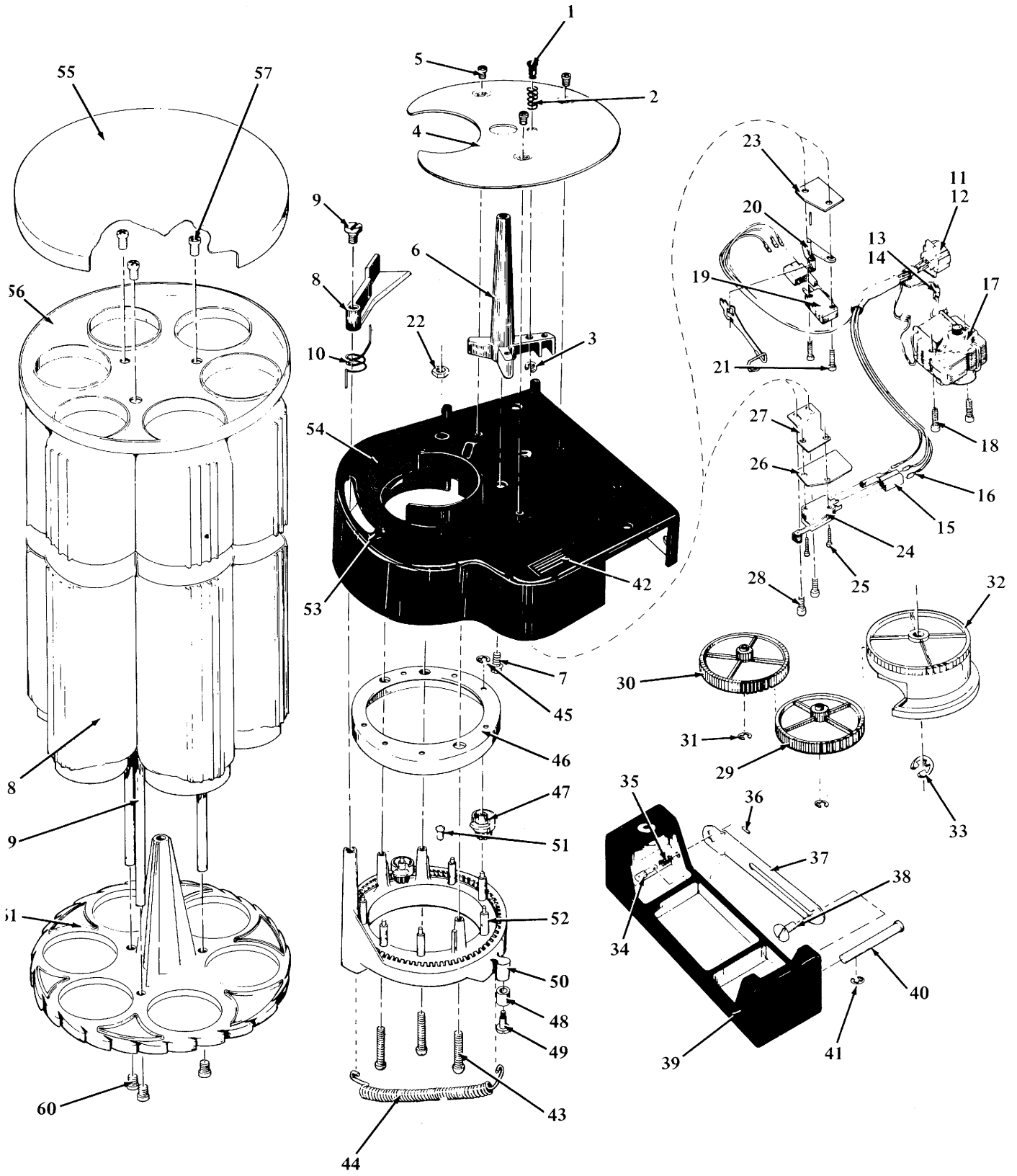
DOOR LATCH ASSEMBLY



ITEM NO.	PART NO.	NO. REQ.	PART NAME AND DESCRIPTION
-	127161-1	1	Door Latch Assembly (110 Degree Cam)
1	V801403	1	Retaining Ring
2	375353	1	Bushing - Nylon
3	V800824	1	Tapping Screw
4	365777	1	Nut - Lock
5	127163-1	1	Cam Assembly
6	367885	1	Latch Pin
7	V801121	1	Spring Pin
8	375350	1	Cam
9	366501-1	1	Washer
10	365665-1	1	Trim - Lock Handle
11	V801339	2	Push On Nut (AP for Item 10)
12	375351	1	Handle - Latch
13	365664	1	Spring
14	127162	1	Operating Tube Assembly
15	374805	2	Spacer - Drive
16	366499	1	Washer
17	374806	1	Operating Tube
18	369076	1	Bearing - Cam
19	365668	1	Housing - Latch
-	123298-0000	1	Flex Ace Lock Assembly
20	346118-0000	1	Key (Specify Key Number)
21	368688-0000	1	Lock - Flex Ace (Specify Key Number)
22	375352	1	Spacer - Lock
-	369526	1	Trim - Latch (See Door Final Assembly)
23	V800831	1	Tapping Screw (AP for Latch Trim)
24	V800821	1	Tapping Screw
25	V801011	1	Washer
26	V801313	2	Tapping Screw
27	V342624-3	1	Self Drill Screw

AP - Attaching Parts

CUP DROPPER ASSEMBLY – CUP TURRET ASSEMBLY

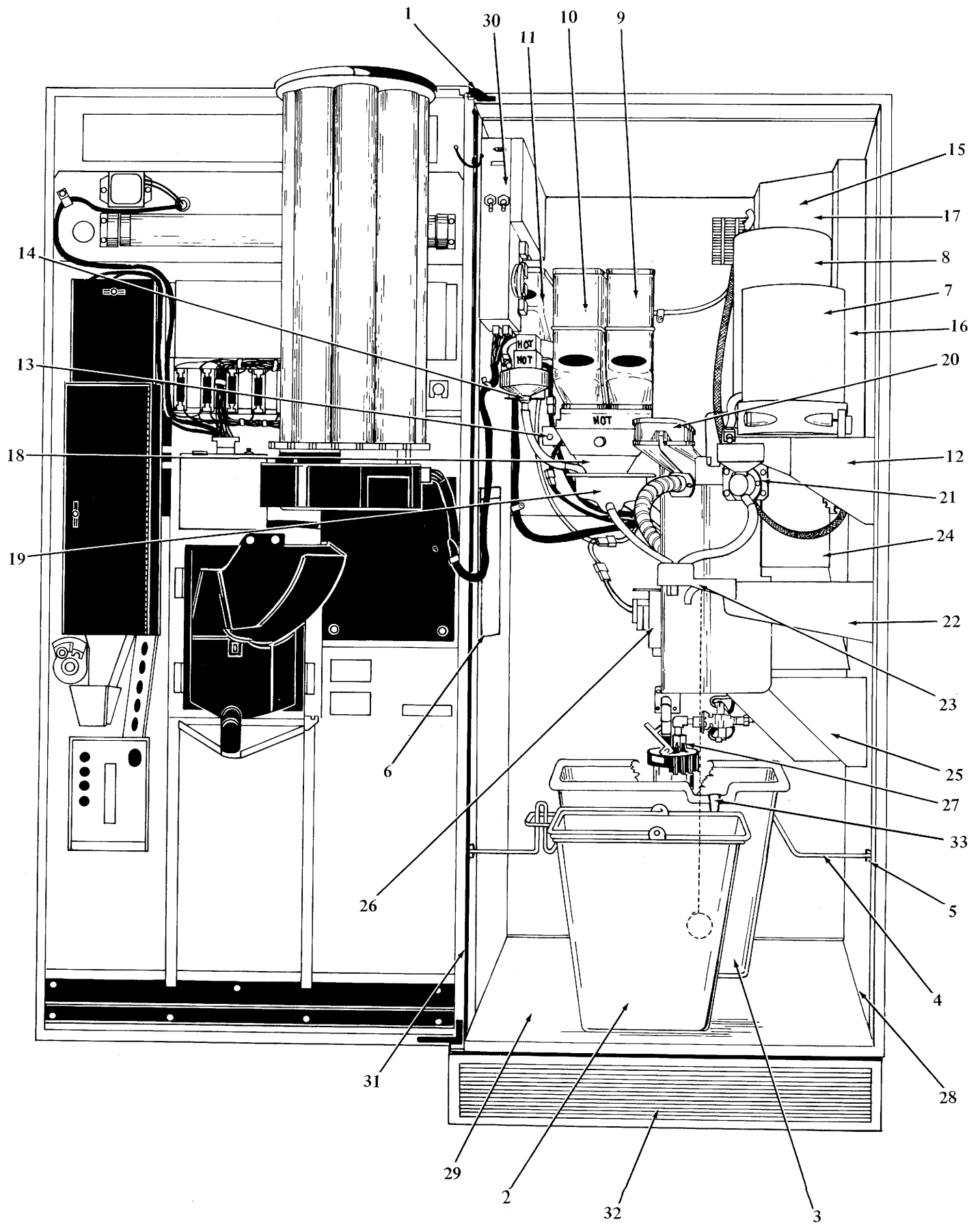


CUP DROPPER ASSEMBLY – CUP TURRET ASSEMBLY

ITEM NO.	PART NO.	NO. REQ.	PART NAME AND DESCRIPTION
-	123111-5	1	Cup Dropper Assembly (7 oz. Squat Hot)
-	123111-6	1	Cup Dropper Assembly (7 oz. Tall Hot)
-	123111-7	1	Cup Dropper Assembly (9 oz. Hot)
1	368484	1	Plunger - Stop
2	368295	1	Spring
3	V801077	1	Retainer Ring (AP for Items 1 & 2)
4	368457	1	Cup Rest
5	V801319	3	Tapping Screw (AP for Item 4)
6	368245	1	Shaft Turret
7	V801356	1	Tapping Screw (AP for Item 6)
8	368994	1	Pawl Index
9	368294	1	Shoulder Screw (AP for Item 8)
10	368409	1	Spring - Pawl Index
-	123125	1	Harness - Cup Dropper
11	345737	1	Plug - 6 Terminal
12	320196	6	Terminal - Male
13	489202	2	Cover - Terminal
14	336138	2	Terminal - Female
15	360806	2	Cover - Terminal
16	360805	5	Terminal - Male
17	368320	1	Motor
18	V801390	2	Tapping Screw (AP for Item 17)
19	368299	1	Switch - Sold Out
20	368296	1	Actuator - Switch
21	V800032	2	Machine Screw (AP for Items 19 & 20)
22	V800889	2	Nut - Hex (AP for Items 19 & 20)
23	328871	1	Insulation - Micro Switch
24	337853	1	Switch - Motor Carrier
25	V801332	2	Tapping Screw (AP for Item 24)
26	328871	1	Insulation - Micro Switch
27	368241	1	Bracket - Motor Carrier Switch
28	V801319	2	Tapping Screw (AP for Item 27)
29	368309	1	Gear
30	368309-1	1	Gear
31	V801331	2	Retainer Ring (AP for Items 29 & 30)
32	368308	1	Cam Gear
33	V801081	1	Retainer Ring (AP for Item 32)
34	368246	1	Latch Stud
35	368295	1	Spring
36	V801277	1	Spring Pin (AP for Items 34 & 35)
37	368400	1	Latch
38	368294	1	Shoulder Screw
39	368307	1	Bracket - Servicing
40	368314	1	Shaft - Pivot
41	V801084	1	Retainer Ring (AP for Items 39 & 40)
42	347737	1	Decal
43	V801336	3	Tapping Screw (AP for Following Item)
-	123113	1	Cup Ring Assembly (7 oz. Squat Hot)
-	123113-1	1	Cup Ring Assembly (7 oz. Tall Hot)
-	123113-2	1	Cup Ring Assembly (9 oz. Hot)
44	370715	1	Spring
45	V801067	3	Retainer Ring
46	CM14-4026	1	Cover Cup Drop Cam
47	D1-3006	7	Cam - Red (7 oz. Squat Hot)
47	D1-3005	7	Cam - Pink (7 oz. Tall Hot)
47	D1-3007	7	Cam - Green (9 oz. Hot)
48	371775	1	Roller
49	371774	1	Shoulder Screw (AP for Item 48)
50	368316	1	Ring Gear
51	369049	6	Stud - Support
52	123917	1	Base - Cup Ring Assembly
53	379110	1	Cup Dropper Stop - Rubber
54	123918	1	Base - Cup Dropper Assembly
55	368757	1	Lid - Cup Dropper
-	123062	1	Cup Turret Assembly
56	368318	1	Ring - Outer
57	V801319	3	Tapping Screw (AP for Item 56)
58	368379	6	Cup - Tube
59	123930	1	Support - Rod
60	V801319	3	Tapping Screw (AP for Item 59)
61	368315	1	Cup Turret Base

AP - Attaching Parts

HBA7B INTERIOR VIEW - INSIDE COMMON CABINET

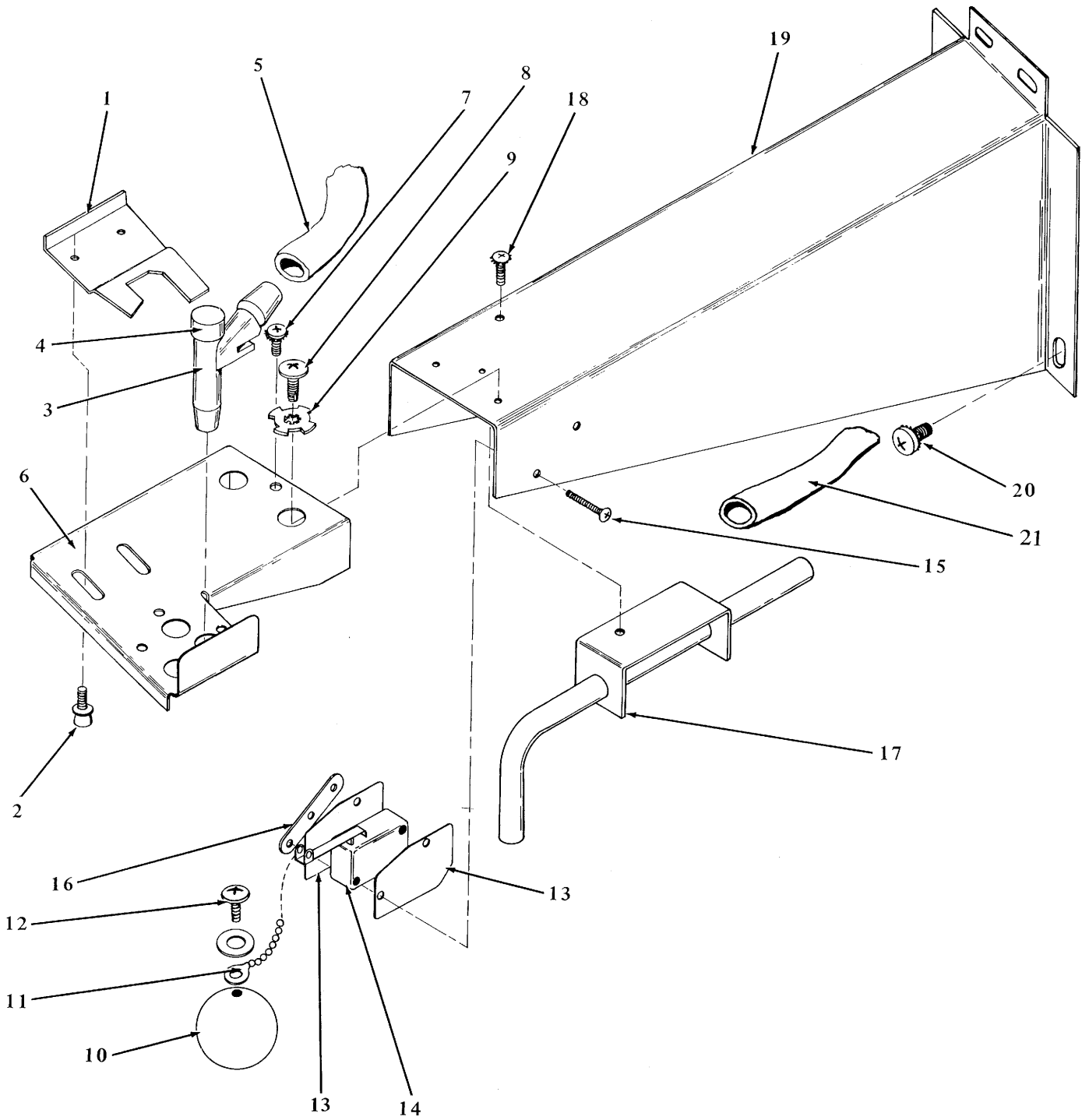


HBA7B INTERIOR VIEW – INSIDE COMMON CABINET

ITEM NO.	PART NO.	NO. REQ.	PART NAME AND DESCRIPTION
1	365644	1	Hinge - Upper
-	V800722	2	Tapping Screw (AP for Item 1)
-	V342624	1	Self Drilling Screw (AP for Item 1)
2	111791-2	1	Waste Container Assembly
3	361852	1	Waste Container
4	368341	1	Rod - Waste Container
5	368346	2	Bracket - Waste Container Rod
-	V801204	2	Tapping Screw (AP for Item 5)
6	358425	1	Data Bag - Plastic
-	V801402	2	Tapping Screw (AP for Item 6)
-	351442	1	Parts Manual Order Form
-	380747	1	Service Manual
-	380333B	1	Wiring Diagram
-	380334B	1	Schematic Diagram
7	115191-11	1	Canister Assembly - Chocolate (See Pages 52 & 53)
8	115191-23	1	Canister Assembly - Coffee (See Pages 52 & 53)
9	115191-9	1	Canister Assembly - Sugar (See Pages 52 & 53)
10	115191-16	1	Canister Assembly - Creme (See Pages 52 & 53)
11	115191-17	1	Canister Assembly - Tea (See Pages 52 & 53)
11	115191-4	1	Canister Assembly - Soup (See Pages 52 & 53)
12	123237	1	Shelf Assembly (Coffee - Chocolate) (See Page 43)
-	V801204	8	Tapping Screw (AP for Item 12)
13	123239	1	Shelf Assembly (Creme - Sugar) (See Pages 48 & 49)
-	V801204	4	Tapping Screw (AP for Item 13)
14	121926	1	Shelf Assembly (Tea or Soup) (See Page 46)
-	V801204	4	Tapping Screw (AP for Item 14)
15	367947	1	Front Panel - Water Tank Upper
-	V801204	4	Tapping Screw (AP for Item 15)
16	368348	1	Front Panel - Water Tank Lower
-	V801204	4	Tapping Screw (AP for Item 16)
-	368602	1	Gasket (For Bottom of Item 16)
17	122788	1	Water Tank Weld Assembly (See Pages 72 & 73)
18	-	1	Heater Assembly (See Pages 50 & 51)
19	123242	1	Mixing Bowl Assembly (See Pages 50 & 51)
20	122839-1	1	Transition Bowl Assembly (See Pages 70 & 71)
21	119542-2	1	Chocolate Whipper Assembly (See Page 47)
22	123085	1	Support Nozzle Weld
23	376630	1	Bracket - Nozzle
24	122837	1	Brew Unit Assembly (See Pages 68 - 71)
25	123086	1	Brew Shelf Weld
-	801204	4	Tapping Screw (AP for Item 25)
26	114953-4	1	Blower Assembly
27	-	1	Water Inlet With Filter (See Page 46)
28	123088	1	Cabinet Weld Assembly
29	360879-1	1	Liner Base
30	129579	1	Control & Cam Box Assembly (See Pages 54 - 57)
-	V801204	4	Tapping Screw (AP for Item 30)
-	370842	2	Cover Screw Tip
31	368838	1	Gasket
32	-	1	Skirt Carton Assembly (See Page 42)
33	382209	1	Waste Bag Clip

AP - Attaching Parts

SPOUTS AND SPOUT SUPPORT ASSEMBLY

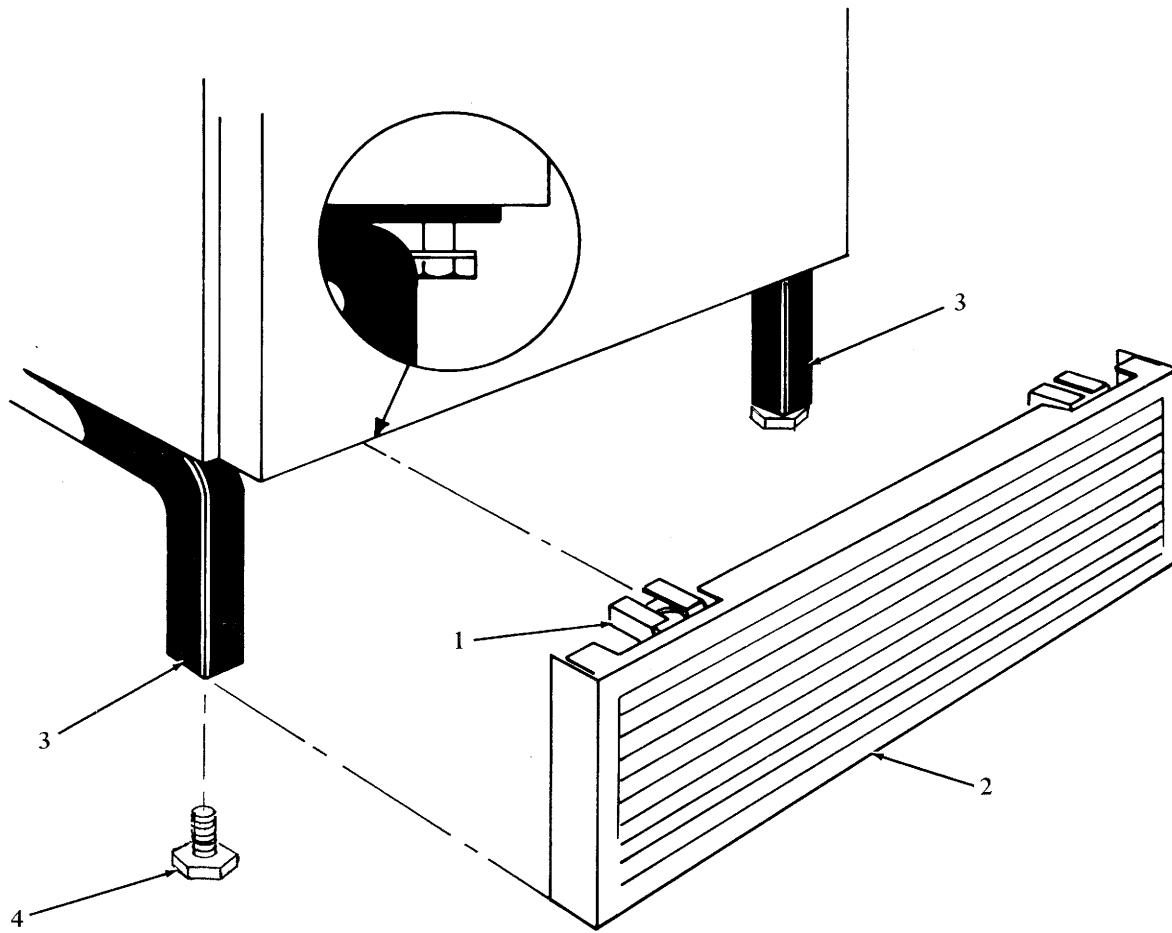


SPOUTS AND SPOUT SUPPORT ASSEMBLY

ITEM NO.	PART NO.	NO. REQ.	PART NAME AND DESCRIPTION
-	-	1	Spouts and Spout Support Assembly
1	376629	1	Slide
2	V354581	2	Thumb Screw (AP for Item 1)
3	351043	A/R	Spout
4	351047	A/R	Cap - Plug
5	351048-12	1	Tube - Silicone (To Chocolate Whipper)
-	351048-19	1	Tube - Silicone (To Mixing Bowl) Not Shown
6	376630	1	Bracket - Nozzle
7	V342624	1	Tapping Screw (AP for Item 6)
8	V800828	2	Tapping Screw (AP for Item 6)
9	321298	2	Lock Washer (AP for Item 6)
10	346802	1	Float
11	346801-3	1	Chain
12	V800246	1	Tapping Screw (AP for Items 10 & 11)
-	-	A/R	Flat Washer (Weight)
13	D10-9005	2	Insulator - Switch
14	348239	1	Switch
15	V800027	2	Machine Screw (AP for Items 13 & 14)
16	337588	1	Plate - Switch Screw
17	123512	1	Overflow Assembly
18	V801204	1	Tapping Screw (AP for Item 17)
19	123085	1	Support - Nozzle Weld
20	V801204	4	Tapping Screw (AP for Item 19)
21	337438-4	A/R	Overflow Tube

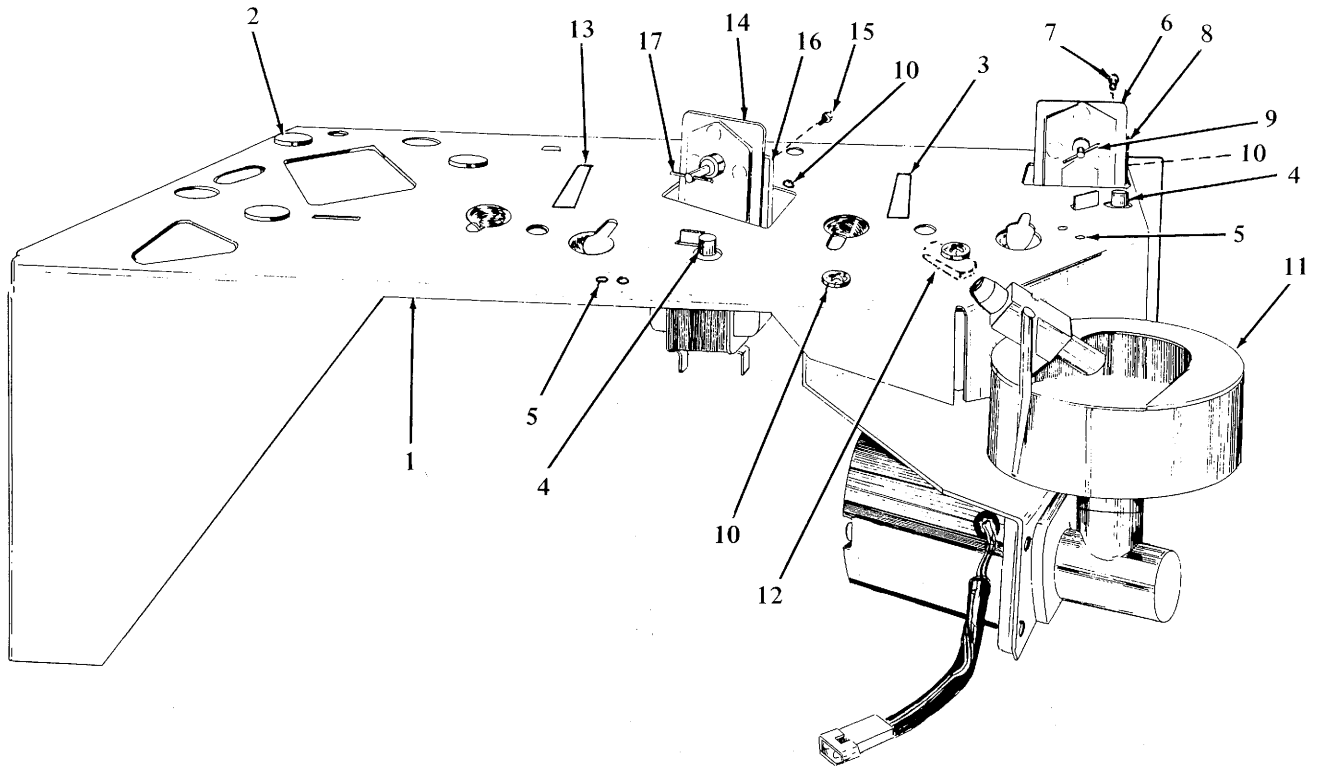
AP - Attaching Parts

SKIRT CARTON ASSEMBLY – LEG WELD ASSEMBLY



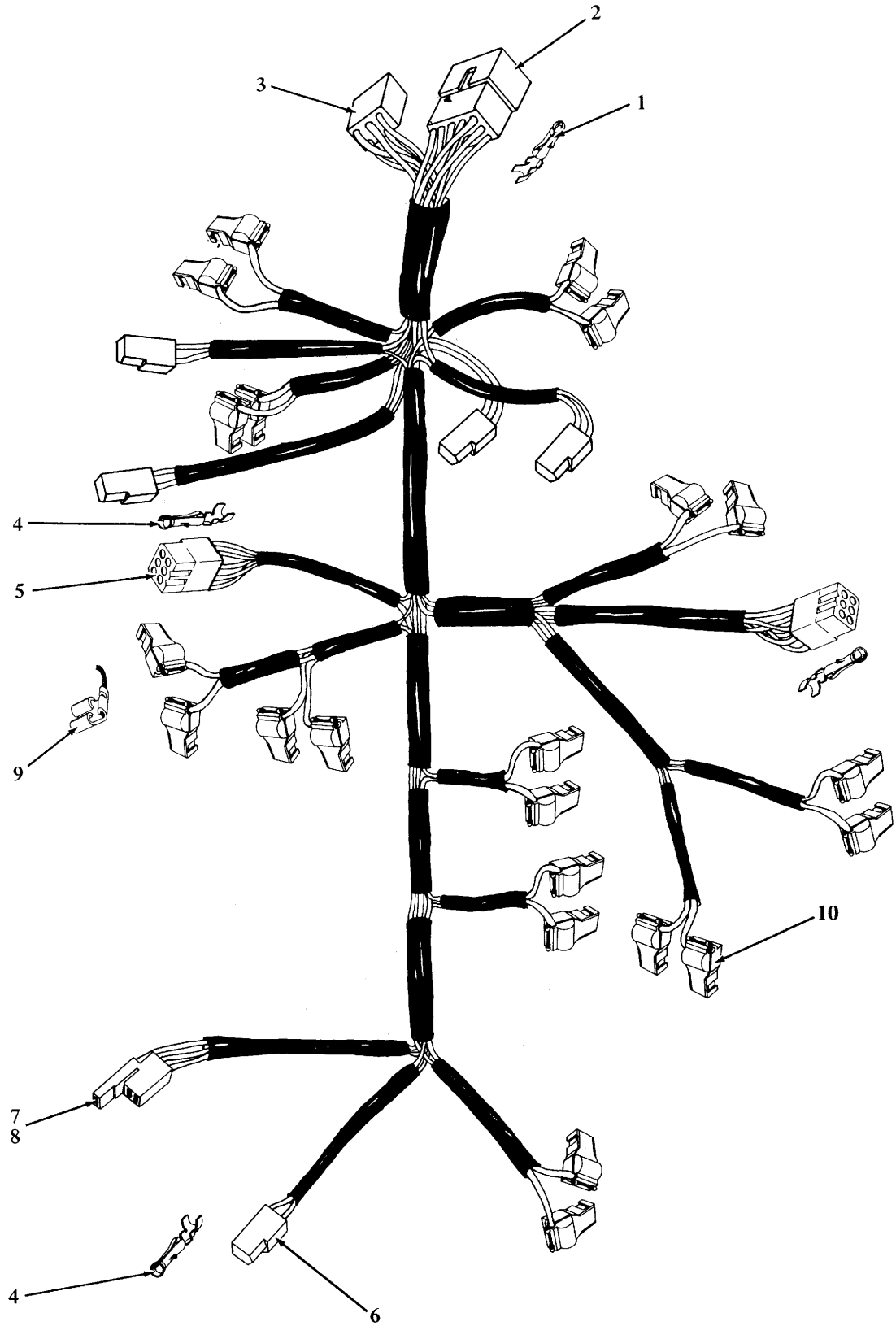
ITEM NO.	PART NO.	NO. REQ.	PART NAME AND DESCRIPTION
-	123942-6	1	Skirt Carton Assembly (Beige - Vendura)
-	123942-7	1	Skirt Carton Assembly (Grandura - Rowe)
-	123942-8	1	Skirt Carton Assembly (National Crown - Imperial Crown)
-	123942-9	1	Skirt Carton Assembly (National Golden Furniture - Nat. Golden II)
1	126688	2	Hinge Weld Assembly
2	124520-6	1	Skirt Assembly (Beige - Vendura)
2	124520-7	1	Skirt Assembly (Grandura - Rowe)
2	124520-8	1	Skirt Assembly (National Crown)
2	124520-12	1	Skirt Assembly (National Golden Furniture)
3	128674-1	2	Curved Leg Weld Assembly - Right or Left
4	324386	4	Leveling Screws

COFFEE CHOCOLATE SHELF ASSEMBLY



ITEM NO.	PART NO.	NO. REQ.	PART NAME AND DESCRIPTION
-	123237	1	Coffee Chocolate Shelf Assembly
1	122733	1	Ingredient Shelf Weld
2	323075	3	Plug Button
3	90619	1	Chocolate Label
4	117474	2	Latch Assembly -Large Can
5	V801253	4	Tubular Rivet
-	115122-4	1	Motor Assembly
6	330173-1	1	Motor
7	354202	4	Screw - Locking
8	353143	1	Motor Mounting Bracket
-	331912	4	Bowed Washer
9	V801128	1	Spring Pin
10	V800828	6	Tapping Screw
11	119542-5	1	Chocolate Whipper Assembly (See Page 47)
12	327755	2	Slinger Disc
13	332657	1	Coffee Label
-	115122	1	Motor Assembly
14	347001	1	Motor
15	354202	4	Screw - Locking
16	353143	1	Motor Mounting Bracket
-	331912	4	Bowed Washer
17	V801128	1	Spring Pin

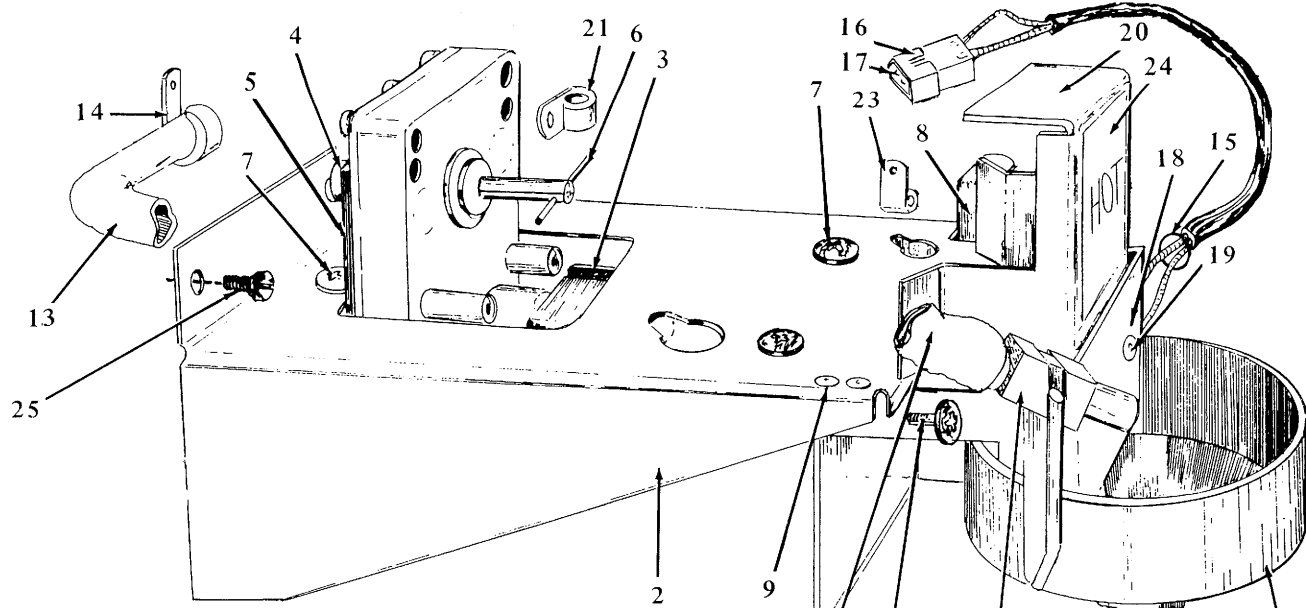
CABINET HARNESS ASSEMBLY



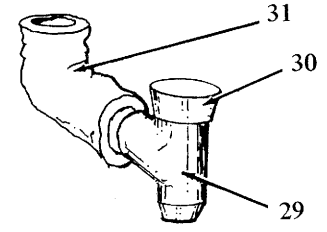
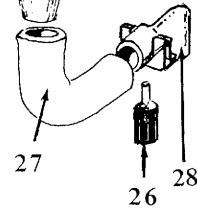
CABINET HARNESS ASSEMBLY

ITEM NO.	PART NO.	NO. REQ.	PART NAME AND DESCRIPTION
-	123352	1	Cabinet Harness Assembly
1	320196	18	Terminal - Male
2	345006	1	Plug - 15 Terminal
3	345003-1	1	Plug - 6 Terminal
4	320195	20	Terminal - Female
5	345738-1	2	Receptacle - 6 Terminal
6	345008-1	5	Receptacle - 2 Terminal
7	360805	3	Terminal - Female
8	360806	1	Terminal Cover
9	44617	22	Terminal - Female
10	341203	22	Terminal Cover

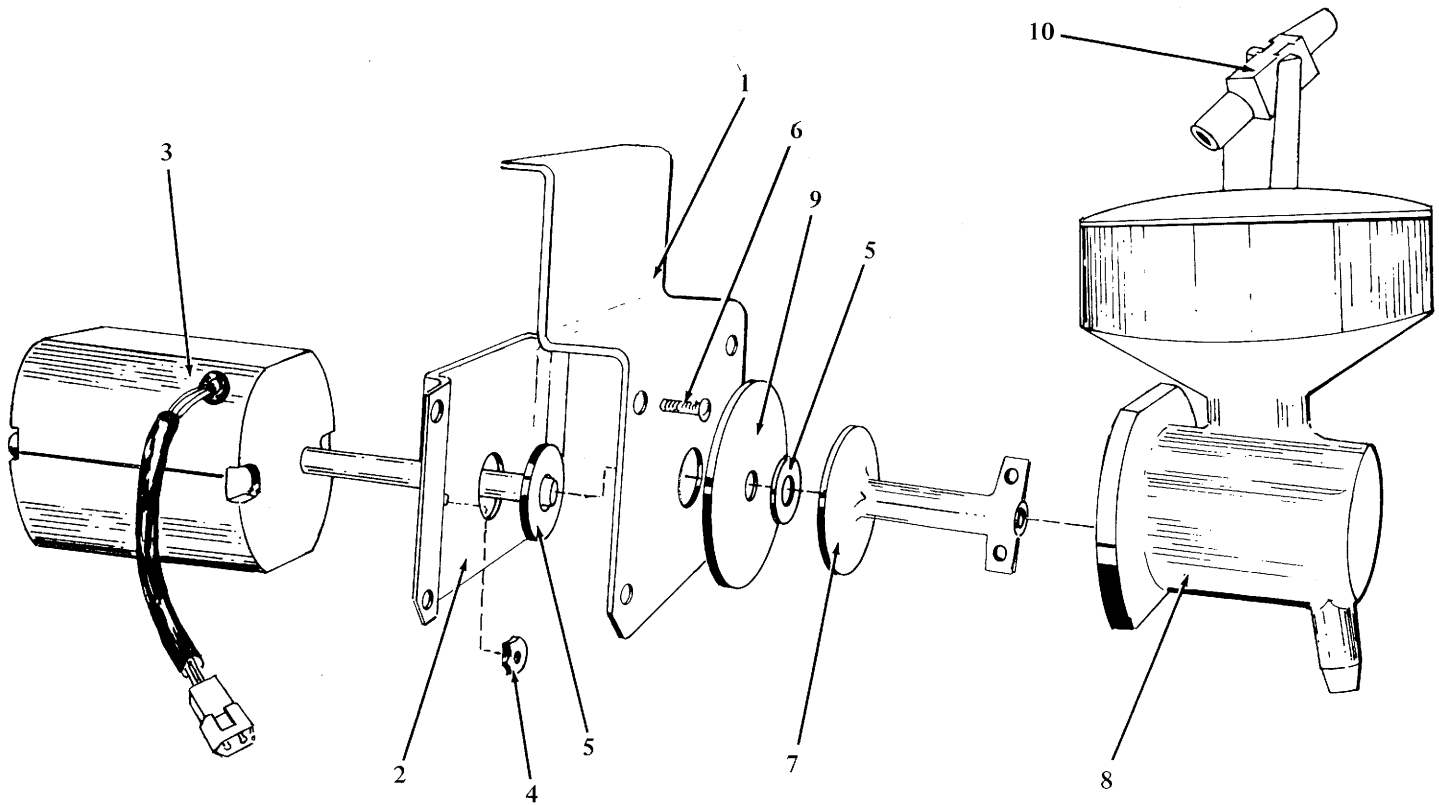
INGREDIENT SHELF ASSEMBLY



ITEM NO.	TEA PART NO.	SOUP PART NO.	NO. REQ.	PART NAME AND DESCRIPTION
-	121926	121926	1	Ingredient Shelf Assembly
1	330164	330164	2	Thumb Nut
2	361877	361877	1	Raised Shelf
-	115122-3	115122-3	1	Motor Assembly
3	347003-1	347003-1	1	Motor
4	354202	354202	4	Screw - Locking
5	353143	353143	1	Motor Mounting Bracket
-	331912	331912	4	Bowed Washer
6	V801128	V801128	1	Spring Pin
7	V800828	V800828	4	Tapping Screw
8	117465	117465	1	Latch Assembly (RH)
9	V333097	V333097	2	Pop Rivet
10	122402	122402	1	Soup Bracket Weld
11	117267-1	117267-1	1	Soup Bowl Assembly
12	346990	346990	1	Nozzle
13	90702-23	90702-23	1	Tube (Valve to Bowl)
14	324099-4	324099-4	2	Clamp
-	122403	-	1	Heater Rivet Assembly
-	122277	-	1	Heater Assembly
15	366137	-	1	Heater
16	345005-1	-	1	Two Terminal Plug
17	320196	-	2	Male Terminal
18	366210	-	1	Heater Retainer
19	V333097	-	2	Pop Rivet
20	366211	-	1	Cover Spout
-	122411	-	1	Single Jumper Harness (See Page 47)
21	324099-3	-	1	Clamp
22	V800828	-	3	Tapping Screw T
23	324099-2	-	1	Clamp
24	368357	-	1	Hot Label
25	V801204	V801204	6	Tapping Screw
26	369074	-	1	Knob
-	370842	370842	6	Screw Tip Cover
27	351048-12	-	1	Silicone Tube (Bowl to Bowl)
28	122281	-	1	Nozzle Assembly
29	-	351043	1	Spout
30	-	351047	1	Cup Plug
31	-	351048-20	1	Silicone Tube (Bowl to Cup)

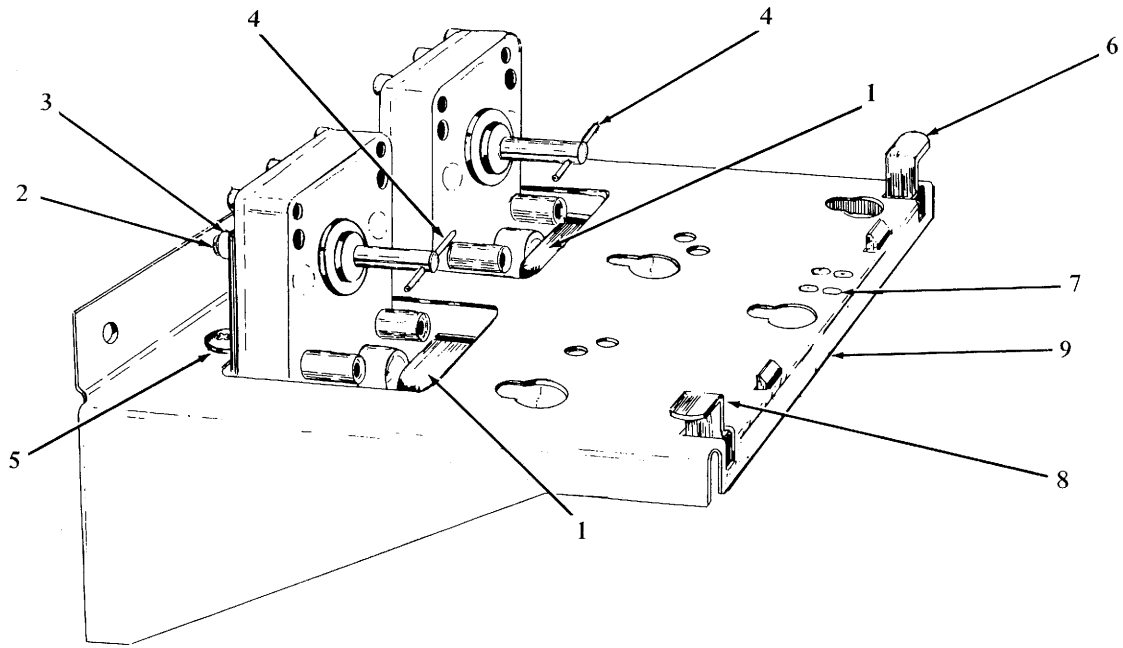


CHOCOLATE WHIPPER ASSEMBLY

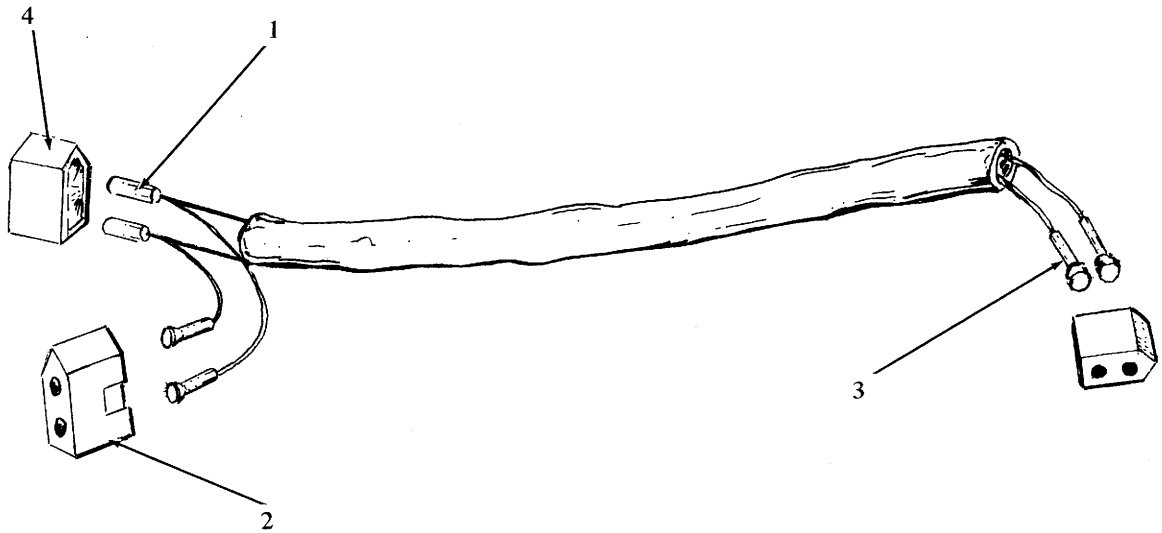


ITEM NO.	PART NO.	NO. REQ.	PART NAME AND DESCRIPTION
-	119542-5	1	Chocolate Whipper Assembly
1	114226-3	1	Chocolate Bracket Weld Assembly
2	114225	1	Chocolate Motor Bracket Assembly
3	115244-1	1	Motor Wire Assembly
4	V800956	2	Hex Nut and Lock Washer
5	327755	2	Slinger Disc
6	V800776	4	Tapping Screws
7	344572	1	Aeration Paddle
8	119541-5	1	Aeration Chamber Assembly
9	363195	1	Seal
10	346990	1	Nozzle

CREAM AND SUGAR SHELF ASSEMBLY



SINGLE JUMPER HARNESS FOR TEA INGREDIENT SHELF



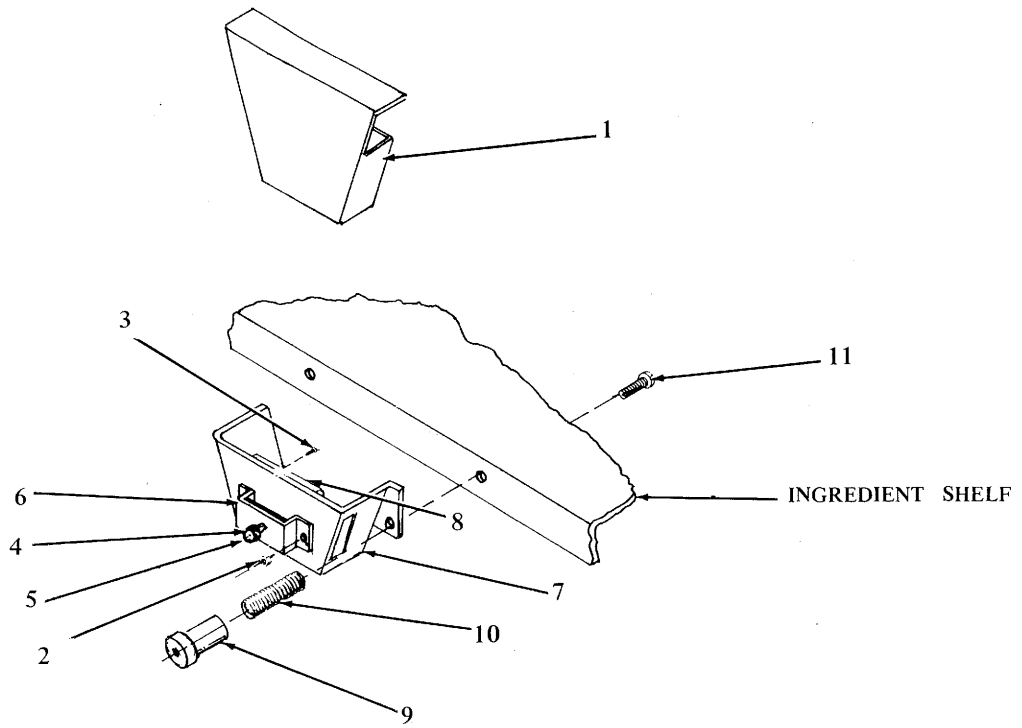
CREAM AND SUGAR SHELF ASSEMBLY

ITEM NO.	PART NO.	NO. REQ.	PART NAME AND DESCRIPTION
-	123239	1	Cream and Sugar Shelf Assembly
-	115122-3	2	Motor Assembly
1	347003-1	1	Motor
2	354202	4	Locking Screw
3	353143	1	Motor Mounting Bracket
-	331912	4	Bowed Washer
4	V801128	1	Spring Pin
5	V800828	4	Tapping Screw
6	117465	1	Latch Assembly (Right Hand)
7	V801253	4	Tubular Rivet
8	117464	1	Latch Assembly (Left Hand)
9	368331	1	Cream and Sugar Shelf

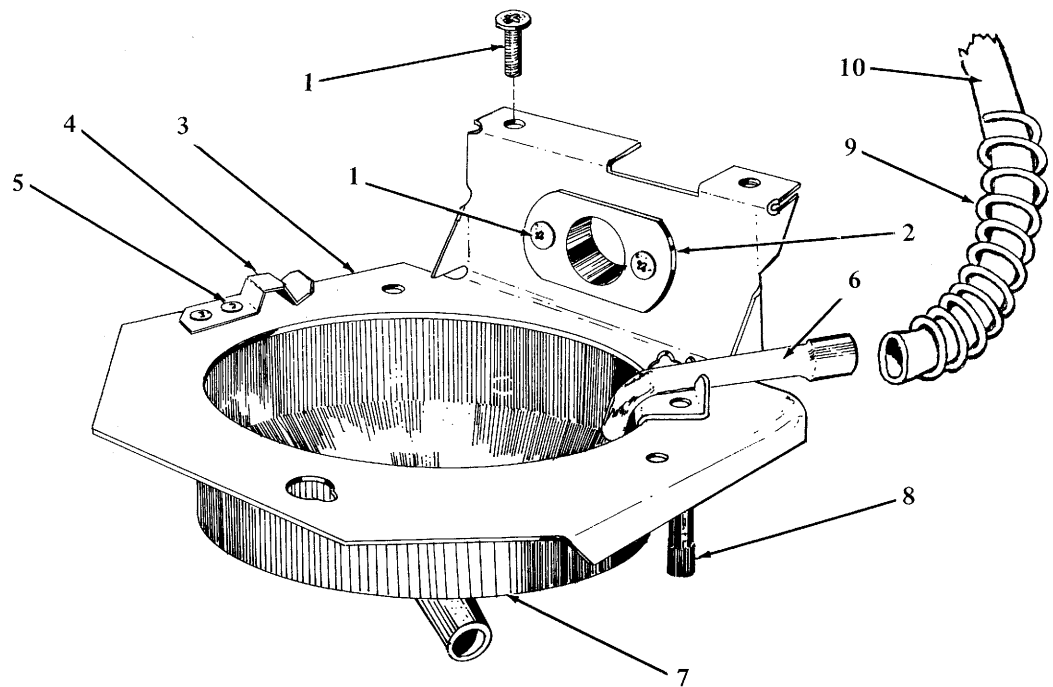
SINGLE JUMPER HARNESS FOR TEA INGREDIENT SHELF

ITEM NO.	PART NO.	NO. REQ.	PART NAME AND DESCRIPTION
-	122411	1	Single Jumper Harness
1	320196	2	Male Terminal
2	345008-1	2	Two Terminal Receptacle
3	320195	4	Female Terminal
4	345005-1	1	Two Terminal Plug

HEATER ASSEMBLY



MIXING BOWL



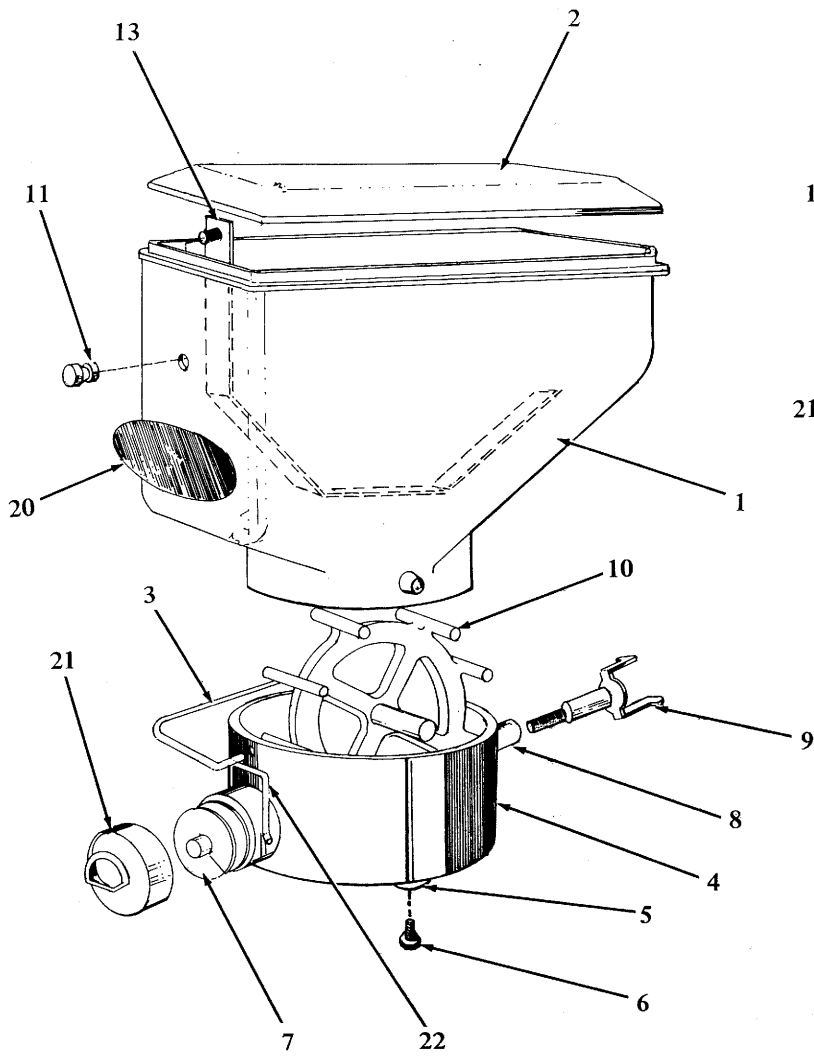
HEATER ASSEMBLY

ITEM NO.	PART NO.	NO. REQ.	PART NAME AND DESCRIPTION
1	366519	1	Funnel
-	122723-2	1	Heater Mounting Assembly
2	V801227	2	Machine Screw Nut
3	V801318	2	Machine Screw
4	366792	1	Knob
5	V800090	1	Machine Screw
6	367904	1	Handle Bracket
7	366520	1	Heater Bracket
8	368593	1	Heater Dummy
9	366521	2	Heater Retainer Rod
10	366793	2	Spring
11	V800024	2	Machine Screw

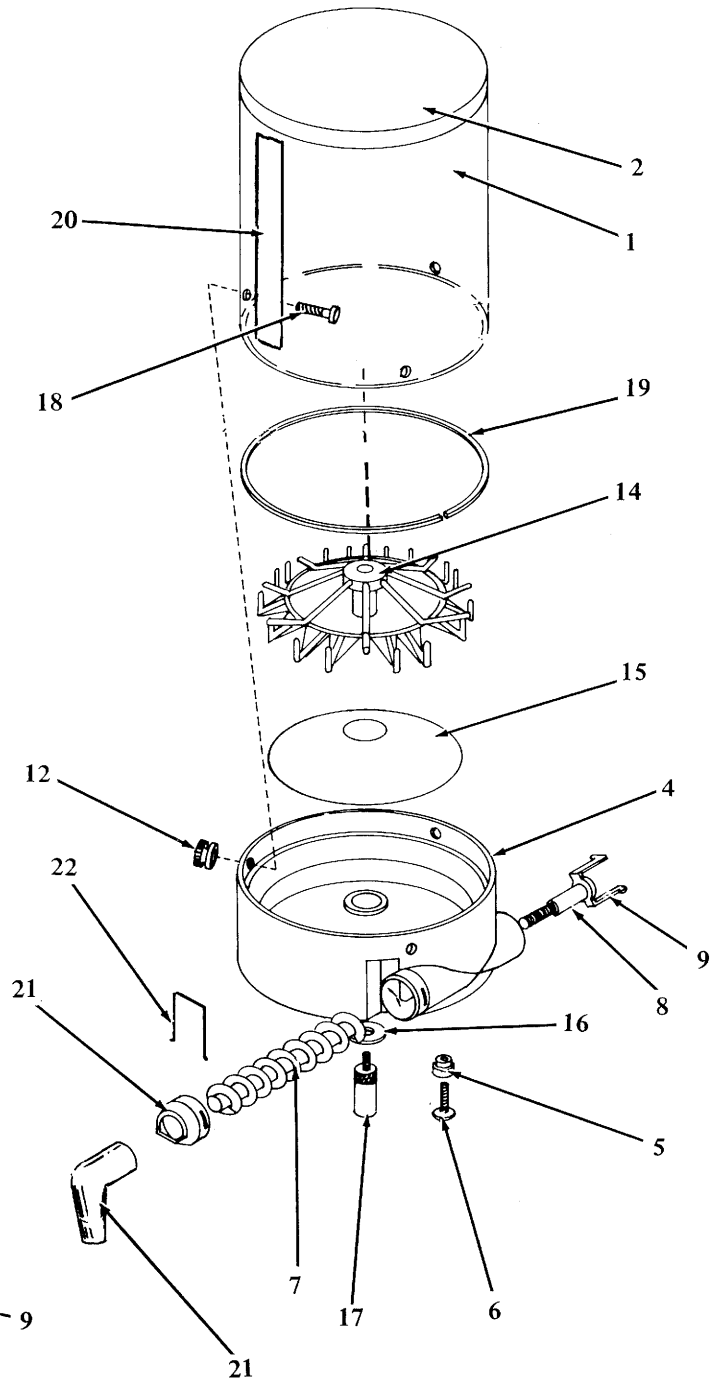
MIXING BOWL

ITEM NO.	PART NO.	NO. REQ.	PART NAME AND DESCRIPTION
1	V800828	4	Tapping Screw T
2	346771-1	1	Hose Outlet
3	363142	1	Mixing Bowl Bracket
4	349734	1	Bowl Latch
5	V801253	2	Tubular Rivet
6	121106	1	Nozzle Assembly
7	347010	1	Mixing Bowl
8	369074	1	Knob
9	370932	1	Spring
10	351048-12	1	Tube

CANISTER ASSEMBLY



SUGAR - CREAM
TEA - SOUP

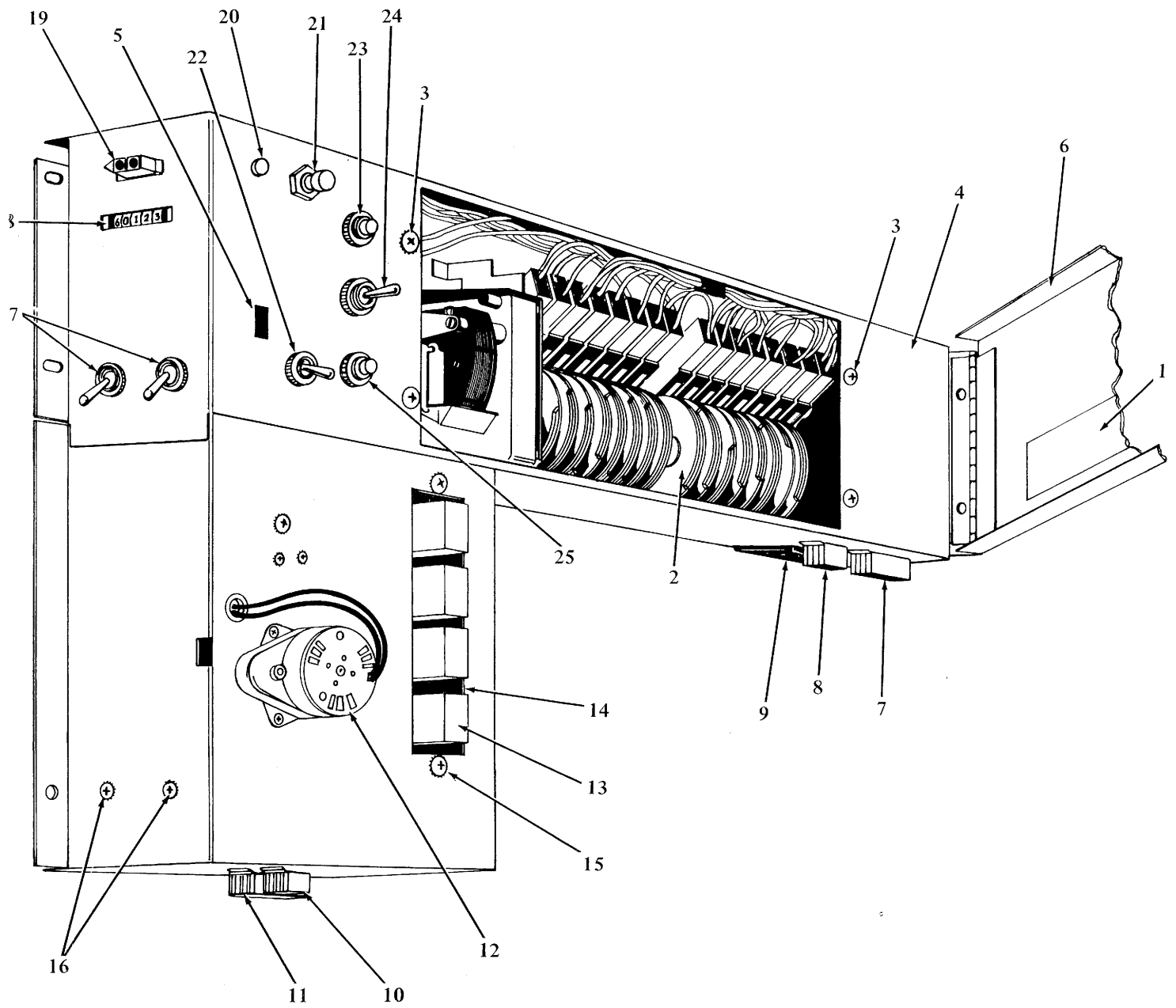


COFFEE - CHOCOLATE

CANISTER ASSEMBLY

ITEM NO.	Sugar PART NO.	Cream PART NO.	Coffee PART NO.	Tea PART NO.	Soup PART NO.	Chocolate PART NO.	NO. REQ.	PART NAME AND DESCRIPTION
-	115191-9	115191-16	115191-23	115191-17	115191-4	115191-11	1	Canister Assembly Complete
-	114858-3	114858	117278-5	114858-1	114858-1	117278	1	Canister Assembly
1	346517-3	346517	354045-2	346517-1	346517-1	354045	1	Canister
2	346518	346518	346758	346518	346518	346758	1	Canister Cover
3	346519	346519	-	346519	346519	-	1	Retainer Spring
4	346516	346516	346757-1	346516	346516	346757-1	1	Canister Base
5	346521	346521	346521	346521	346521	346521	2	Foot Canister Base
6	V800874	V800874	V800874	V800874	V800874	V800874	2	Tapping Screw BT
7	346520	346520	346760	346520	346520	346760	1	Auger
8	331920	331920	331920	331920	331920	331920	1	Drive Link Spacer
9	107931	107931	107931	107931	107931	107931	1	Drive Link Assembly
10	346523	346523	-	346523	346523	-	1	Agitator Wheel
11	-	347060	-	347060	347060	-	2	Thumb Nut
12	-	-	330164	-	-	330164	3	Thumb Nut
13	-	114857	-	114862	114862	-	1	Agitator Assembly
14	-	-	346759	-	-	346759	1	Agitator
15	-	-	351962	-	-	351962	1	Reinforce Cone
16	-	-	351963	-	-	351963	1	Spacer
17	-	-	354047	-	-	354047	1	Thumb Screw
18	-	-	337257	-	-	337257	3	Screw
19	-	-	-	-	-	356830	1	Canister Gasket
20	346946-3	346946-5	360365-6	346946	346946-4	360365	1	Canister Label
21	346515-1	346515-1	123092	-	346515-1	346515-1	1	Canister Spout Cover
22	346514	346514	346514	-	346514	346514	1	Retainer Clip

HBA7B CONTROL & CAM BOX ASSEMBLY (OUTSIDE FRONT)



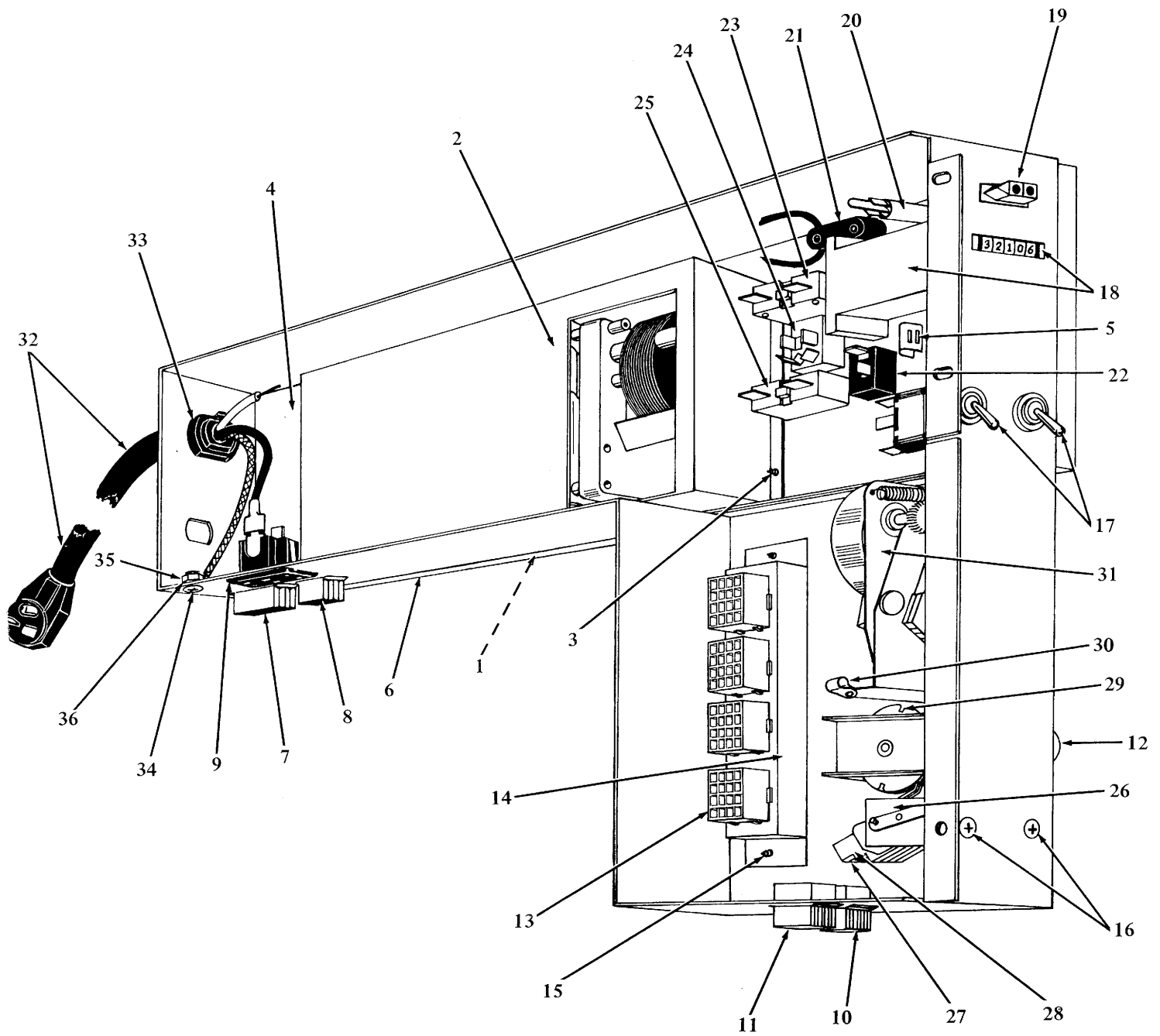
HBA7B CONTROL & CAM BOX ASSEMBLY (OUTSIDE FRONT)

ITEM NO.	PART NO.	NO. REQ.	PART NAME AND DESCRIPTION
-	129579	1	Control & Cam Box Assembly
1	373577	1	Label - Cam Identification
2	129655 *	1	Cam Box Assembly (See Pages 60 & 61)
3	V801204	4	Tapping Screw (AP for Item 2)
4	129638 *	1	Control Box Assembly (Without Cam Box Ass'y.)
-	371725	1	Strike
-	V800956	1	Hex Nut & Lock Washer (AP for Door Strike)
-	V801011	1	Flat Washer (AP for Door Strike)
5	339948	1	Catch
6	368859	1	Door - Control Box
-	V801204	2	Tapping Screw (AP for Item 6)
7	345007	1	Receptacle (15 Terminal)
8	345004	1	Receptacle (9 Terminal)
9	369012	1	Receptacle (Heater)
10	345740	1	Receptacle (12 Terminal)
11	345007	1	Receptacle (15 Terminal)
12	368787	1	Motor (Sanitizer)
-	V800024	2	Machine Screw (AP for Item 12)
-	V800954	2	Hex Nut & Lock Washer (AP for Item 12)
13	361421	4	Relay
-	361833	4	Receptacle (Relay Socket)
-	361834	47	Terminals
14	379770	1	Relay - Box
15	V801204	2	Tapping Screw (AP for Item 14)
16	V800679	2	Tapping Screw (AP for Switch Assembly)
17	335500	2	Switch - Toggle (Coffee Flush & Cycle)
18	369016	1	Counter
-	V800024	2	Machine Screw (AP for Item 18)
19	345008	1	Receptacle (2 Terminal)
20	379688	1	Indicator Lamp (Sanitizer)
-	336138	2	Terminals
21	321278-1	1	Switch - Push Button (Sanitizer)
22	360529	1	Switch - Toggle (Brew Delay)
23	379259-2	1	Circuit Breaker
24	361639	1	Switch - Toggle (Power)
25	379259-3	1	Circuit Breaker

AP - Attaching Parts

* PN129638 Does Not Include PN129655

HBA7B CONTROL & CAM BOX ASSEMBLY (INSIDE BACK)



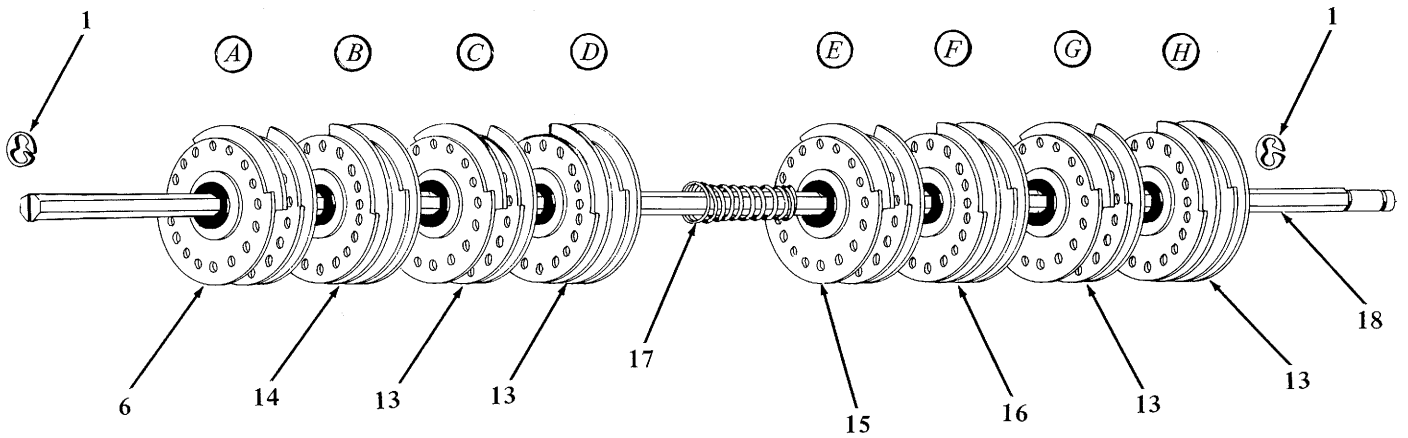
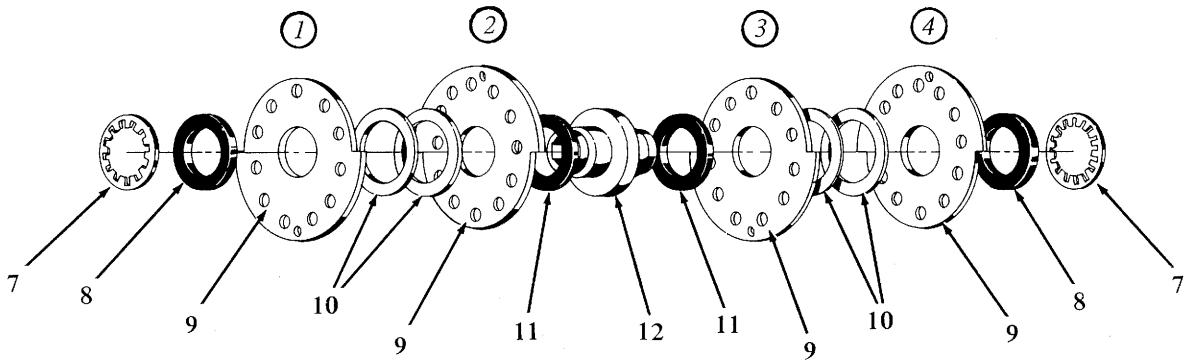
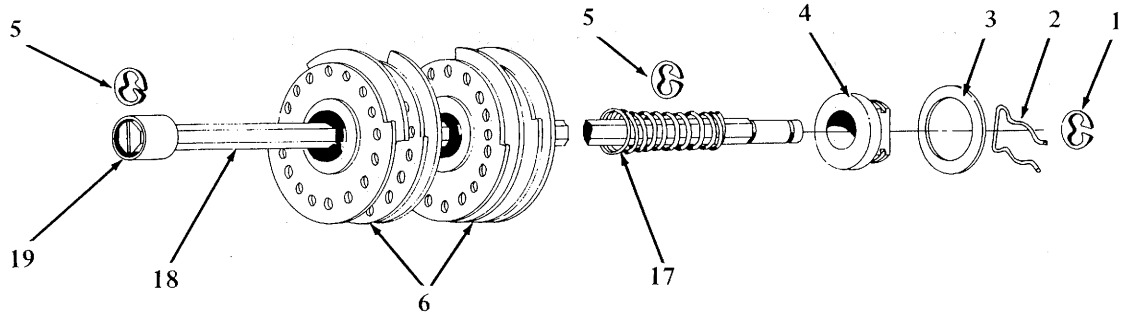
HBA7B CONTROL & CAM BOX ASSEMBLY (INSIDE BACK)

ITEM NO.	PART NO.	NO. REQ.	PART NAME AND DESCRIPTION
-	129579	1	Control & Cam Box Assembly
1	373577	1	Label - Cam Identification
2	129655 *	1	Cam Box Assembly (See Pages 60 & 61)
3	V801204	4	Tapping Screw (AP for Item 2)
4	129638 *	1	Control Box Assembly (Without Cam Box Ass'y.)
-	371725	1	Strike
-	V800956	1	Hex Nut & Lock Washer (AP for Door Strike)
-	V801011	1	Flat Washer (AP for Door Strike)
5	339948	1	Catch
6	368859	1	Door - Control Box
-	V801204	2	Tapping Screw (AP for Item 6)
7	345007	1	Receptacle (15 Terminal)
8	345004	1	Receptacle (9 Terminal)
9	369012	1	Receptacle (Heater)
10	345740	1	Receptacle (12 Terminal)
11	345007	1	Receptacle (15 Terminal)
12	368787	1	Motor (Sanitizer)
-	V800024	2	Machine Screw (AP for Item 12)
-	V800954	2	Hex Nut & Lock Washer (AP for Item 12)
13	361833	4	Receptacle (Relay Socket)
-	361421	4	Relay
-	361834	47	Terminals
14	379770	1	Relay - Box
15	V801204	2	Tapping Screw (AP for Item 14)
16	V800679	2	Tapping Screw (AP for Switch Assembly)
17	335500	2	Switch - Toggle (Coffee Flush & Cycle)
18	369016	1	Counter
-	V800024	2	Machine Screw (AP for Item 18)
19	345008	1	Receptacle (2 Terminal)
20	379688	1	Indicator Lamp (Sanitizer)
-	336138	2	Terminals
21	321278-1	1	Switch - Push Button (Sanitizer)
22	360529	1	Switch - Toggle (Brew Delay)
23	379259-2	1	Circuit Breaker
24	361639	1	Switch - Toggle (Power)
25	379259-3	1	Circuit Breaker
26	123361	1	Switch Assembly
27	360805	12	Terminals
28	360806	5	Terminal Covers
29	123099	1	Cam Shaft Assembly (See Pages 58 & 59)
30	324099-2	1	Clamp - Harness
-	V800364	1	Machine Screw & Lock Washer (AP for Item 30)
-	V800957	1	Hex Nut & Lock Washer (AP for Item 30)
31	129668	1	Timer Pump Flush Assembly (See Page 64)
-	336138	2	Terminals
-	489202	2	Covers - Terminal
-	V801204	2	Tapping Screw (AP for Item 31)
32	340829-1	1	Service Cord
33	327699-7	1	Bushing
34	V800364	1	Machine Screw & Lock Washer (AP for Item 33)
35	V800957	1	Hex Nut & Lock Washer (AP for Item 33)
36	320362	1	Eyelet

* PN129638 Does Not Include PN129655

AP - Attaching Parts

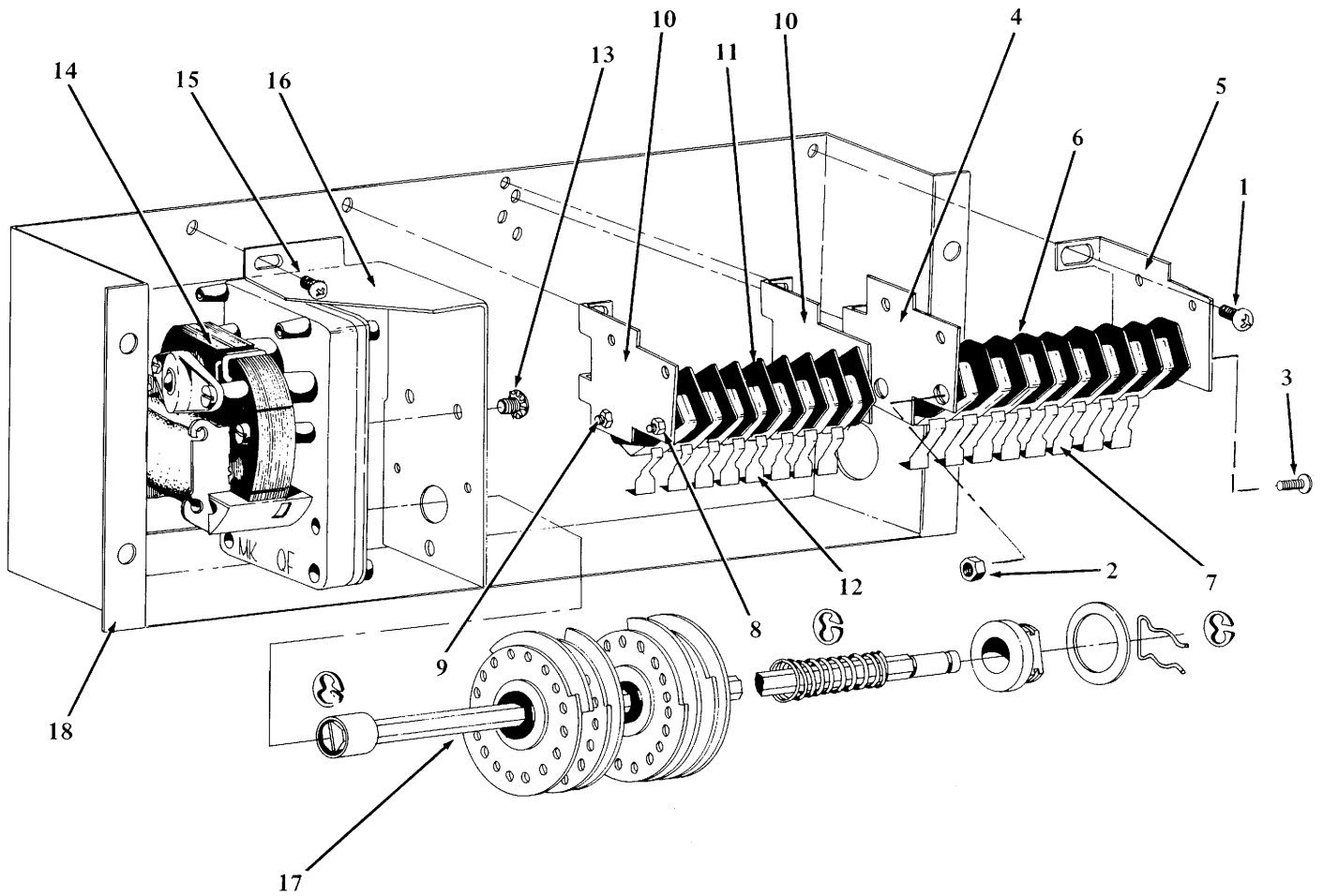
CAM & CAM SHAFT ASSEMBLY



CAM & CAM SHAFT ASSEMBLY

ITEM NO.	PART NO.	NO. REQ.	PART NAME AND DESCRIPTION
-	128707	1	Cam Shaft Assembly
1	V801080	1	Retainer Ring
2	481053-1	1	External Cotter Pin (Large)
3	354597-1	1	Spacer Washer
4	SM6-6077	1	Hub 3/4 Inch
5	V801080	2	Retainer Ring
6	111339	1	Dispenser Cam Assembly (<i>A Position</i>)
7	357370-1	2	Ring - Push On
8	357693	2	Washer - Rubber
9	600491-1	4	Cam - Dispenser (180° - No Adjustment Holes) <i>Blades 1-2-3-4</i>
10	354597-1	4	Spacer - Washer
11	357693-1	2	Washer - Rubber
12	337573	1	Hub
13	111339-2	4	Dispenser Cam Assembly (<i>C, D, G & H Position</i>)
7	357370-1	2	Ring - Push On
8	357963	2	Washer Rubber
9	600491	4	Cam - Dispenser (180° With Adjustment Holes) <i>Blades 1-2-3-4</i>
10	354597-1	4	Spacer Washer
11	357693-1	2	Washer - Rubber
12	337573	1	Hub
14	111339-18	1	Dispenser Cam Assembly (<i>B Position</i>)
7	357370-1	2	Ring - Push On
8	357963	2	Washer - Rubber
9	600491-1	2	Cam - Dispenser (180° - No Adjustment Holes) <i>Blades 1 & 2</i>
9-1	B-CM30-4008	2	Cam - Dispenser (135° With Adjustment Holes) <i>Blades 3 & 4</i>
10	354597-1	4	Spacer Washer
11	357693-1	2	Washer - Rubber
12	337573-1	1	Hub
15	111339-15	1	Dispenser Cam Assembly (<i>E Position</i>)
7	357370-1	2	Ring - Push On
8	357963	2	Washer - Rubber
9	600491-1	2	Cam - Dispenser (180° No Adjustment Holes) <i>Blades 1 & 2</i>
9-1	600491	2	Cam - Dispenser (180° With Adjustment Holes) <i>Blades 3 & 4</i>
10	354597-1	4	Spacer Washer
11	357693-1	2	Washer - Rubber
12	337573-1	1	Hub
16	111339-16	1	Dispenser Cam Assembly (<i>F Position</i>)
7	357370-1	2	Ring - Push On
8	357963	2	Washer - Rubber
9	600491	2	Cam - Dispenser (180° With Adjustment Holes) <i>Blades 1 & 2</i>
9-1	B-CM30-4008	2	Cam - Dispenser (135° With Adjustment Holes) <i>Blades 3 & 4</i>
10	354597-1	4	Spacer Washer
11	357693-1	2	Washer - Rubber
12	337573-1	1	Hub
17	371846	1	Spring
18	371838	1	Shaft - Cam
19	360081-2	1	Insert - Hub

CAM BOX ASSEMBLY

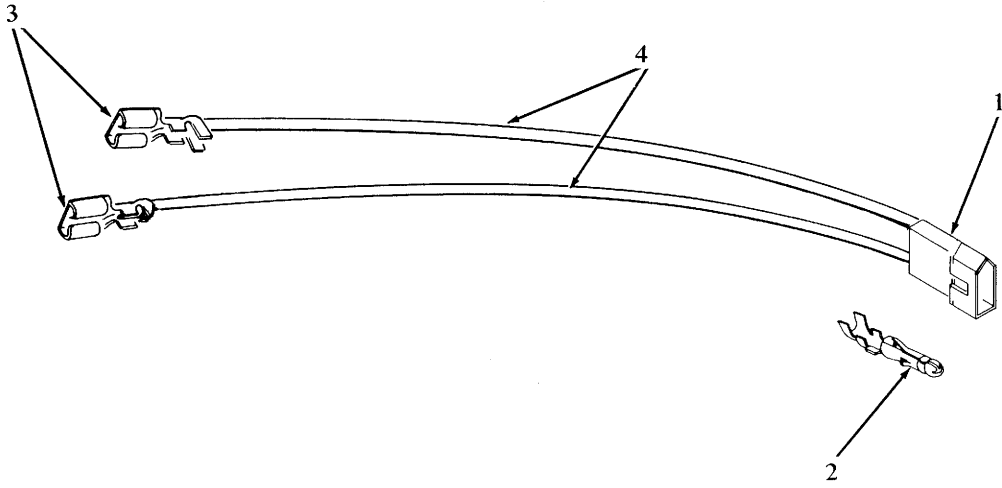


CAM BOX ASSEMBLY

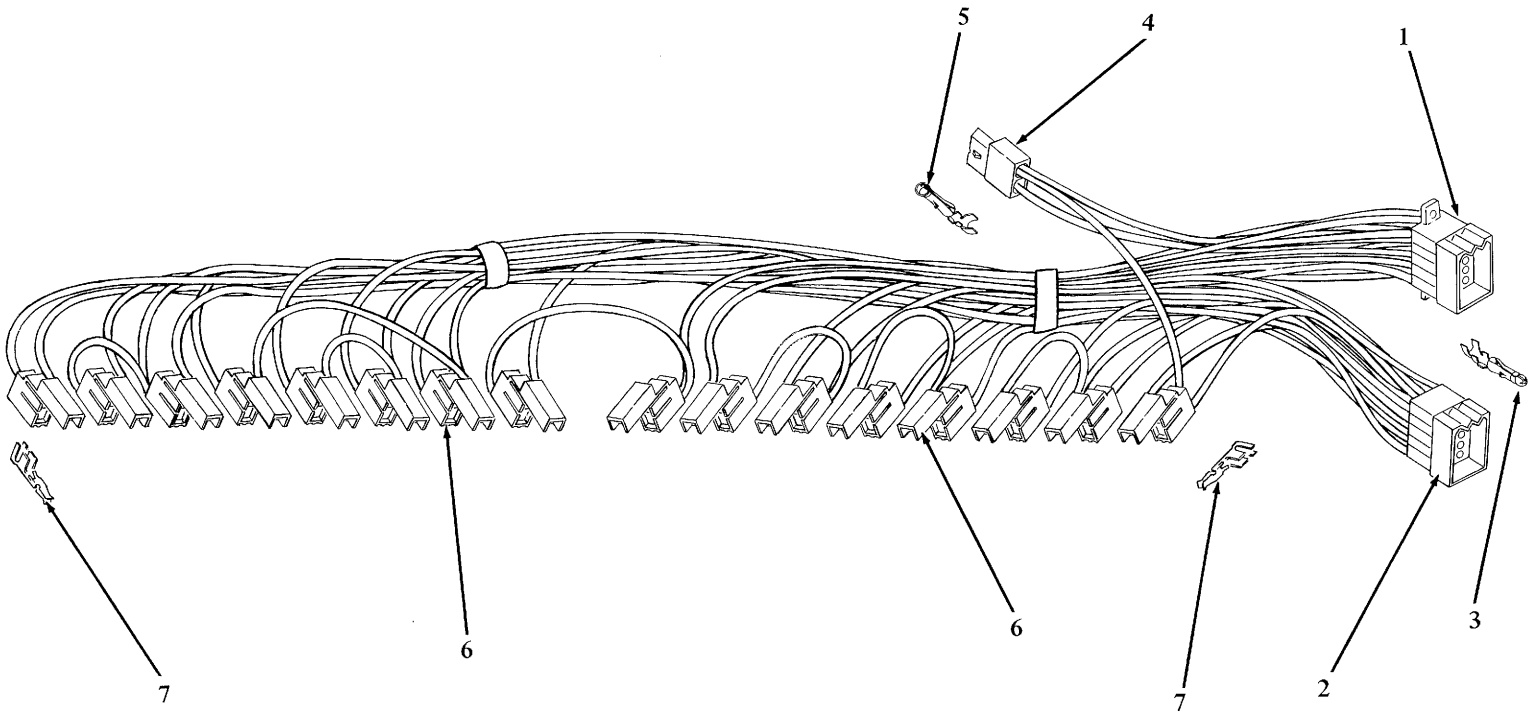
ITEM NO.	PART NO.	NO. REQ.	PART NAME AND DESCRIPTION
-	129655	1	Cam Box Assembly
1	V800498	6	Tapping Screws (AP for Switch & Bracket Assembly)
-	125311	1	Switch & Bracket Assembly (Right)
2	V800954	2	Hex Nut & Lock Washer (AP for Switches)
3	V801374	2	Machine Screws (AP for Switches)
4	369007	1	Bracket - Switch (Left Side)
5	369007-1	1	Bracket - Switch (Right Side)
6	D10-9005	9	Insulator - Switch
7	337576	8	Switch
-	125311-1	1	Switch & Bracket Assembly (Left)
8	V800954	2	Hex Nut & Lock Washer (AP for Switches)
9	V801374	2	Machine Screw (AP for Switches)
10	369007-1	2	Bracket - Switch
11	D10-9005	9	Insulator - Switch
12	337567	8	Switch
13	V800718	3	Tapping Screw (AP for Item 14)
14	360473	1	Motor (15 Sec. Cycle Time)
15	V801204	3	Tapping Screw (AP for Item 16)
16	371827	1	Motor Mount
17	128707	1	Cam Shaft Assembly (See Details Pages 58 & 59)
18	371837	1	Bracket - Cam & Motor
-	125322	1	Harness - Cam Motor (See Pages 62 & 63)
-	129639	1	Harness - Cam & Motor (See Pages 62 & 63)

AP - Attaching Parts

HBA7B CAM MOTOR HARNESS



CAM & MOTOR HARNESS



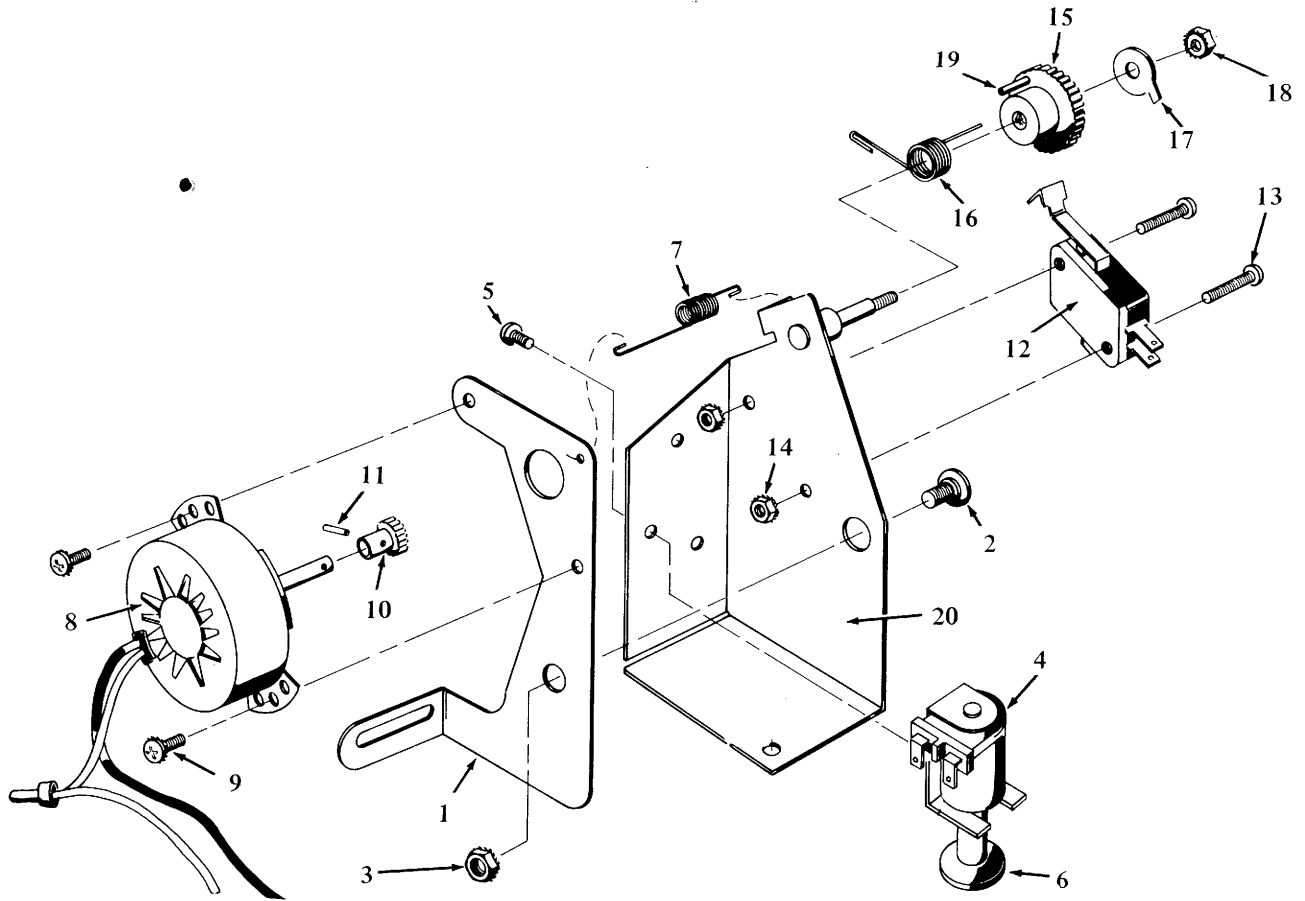
HBA7B CAM MOTOR HARNESS

ITEM NO.	PART NO.	NO. REQ.	PART NAME AND DESCRIPTION
-	125322	1	Harness - Cam Motor
1	345005-1	1	Plug - 2 Terminal
2	320196	2	Terminal - Male
3	336138	2	Terminal
4	V801172-1	2	Electrical Wire

CAM & MOTOR HARNESS

ITEM NO.	PART NO.	NO. REQ.	PART NAME AND DESCRIPTION
-	129639	1	Harness - Cam & Motor
1	345006	1	Plug - 15 Terminal
2	345739-1	1	Plug - 12 Terminal
3	320196	26	Terminal - Male
4	345008-1	1	Receptacle - 2 Terminal
5	320195	2	Terminal - Female
6	360806	16	Cover - Terminal (Triple)
7	360805	33	Terminal

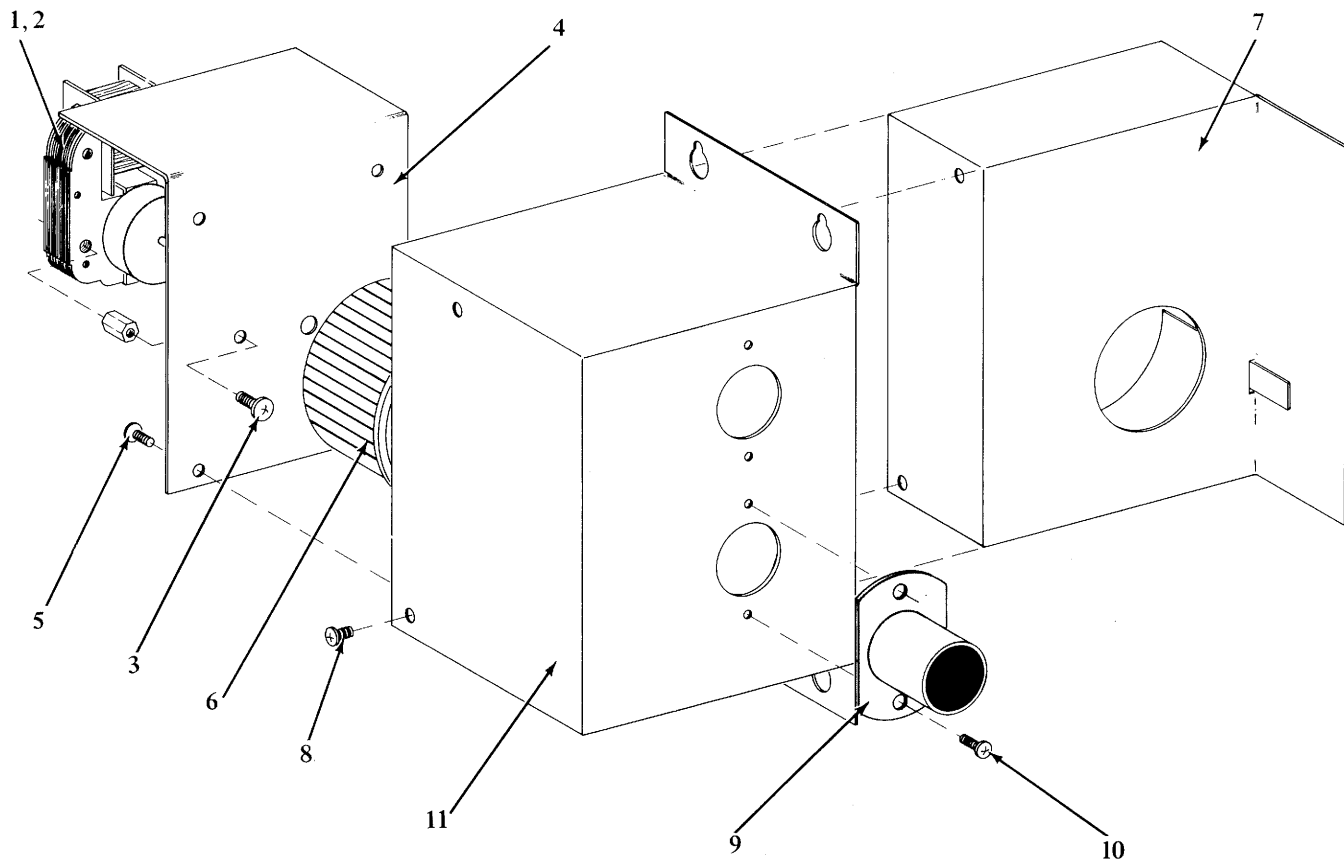
TIMER PUMP FLUSH ASSEMBLY



ITEM NO.	PART NO.	NO. REQ.	PART NAME AND DESCRIPTION
-	129668	1	Timer Pump Flush Assembly
1	376697	1	Timer Mounting Arm
2	376689	1	Shoulder Screw (AP for Item 1)
3	V800957	1	Hex Nut & Lock Washer (AP for Item 1)
4	371053	1	Solenoid
5	V801806	2	Tapping Screw (AP for Item 4)
6	349020	1	Plunger - Solenoid
7	377723	1	Spring - Return
8	376698	1	Timer Motor
9	V801806	2	Tapping Screw (AP for Item 8)
10	376694	1	Spur Gear (4816)
11	V801394	1	Spiral Pin (AP for Item 10)
12	342452	1	Switch
13	V800008	2	Machine Screw (AP for Item 12)
14	V800954	2	Hex Nut & Lock Washer
15	376693	1	Spur Gear (4848)
16	376692	1	Spring
17	376691	1	Stop Washer
18	V800955	1	Hex Nut & Lock Washer (AP for Items 15, 16 & 17)
19	V801393	1	Spring Pin
20	128666	1	Rivet Assembly

AP - Attaching Parts

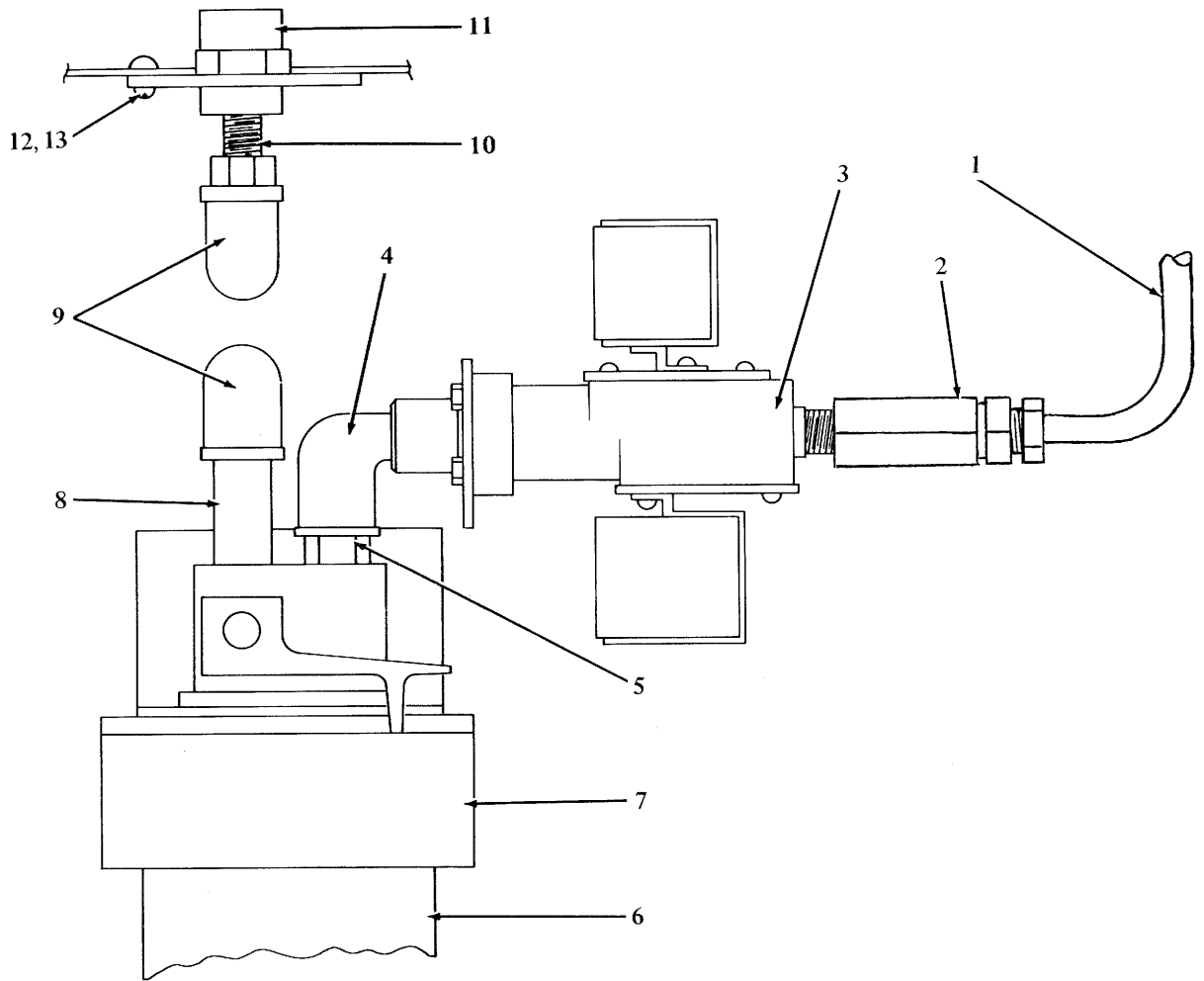
BLOWER ASSEMBLY



ITEM NO.	PART NO.	NO. REQ.	PART NAME AND DESCRIPTION
-	114953-6	1	Blower Assembly
1	115190-2	1	Motor Assembly
-	320196	2	Terminal - Male
-	345005-1	1	Plug - 2 Terminal
2	376634	1	Motor - Blower
3	V800247	2	Machine Screw (AP for Item 2)
4	346769	1	Bracket - Motor
5	V800570	4	Tapping Screw (AP for Item 4)
6	376633	1	Blower Wheel
-	V801392	2	Machine Screw (AP for Item 6)
7	114954	1	Shroud - Blower
8	V800570	3	Tapping Screw
9	346771	2	Hose Outlet
10	V800570	4	Tapping Screw (AP for Item 9)
-	342969-1	1	Flex Tube - Long (Bottom Position)
-	342969-2	1	Flex Tube - Short (Top Position)
11	346770-1	1	Housing - Blower Assembly

AP - Attaching Parts

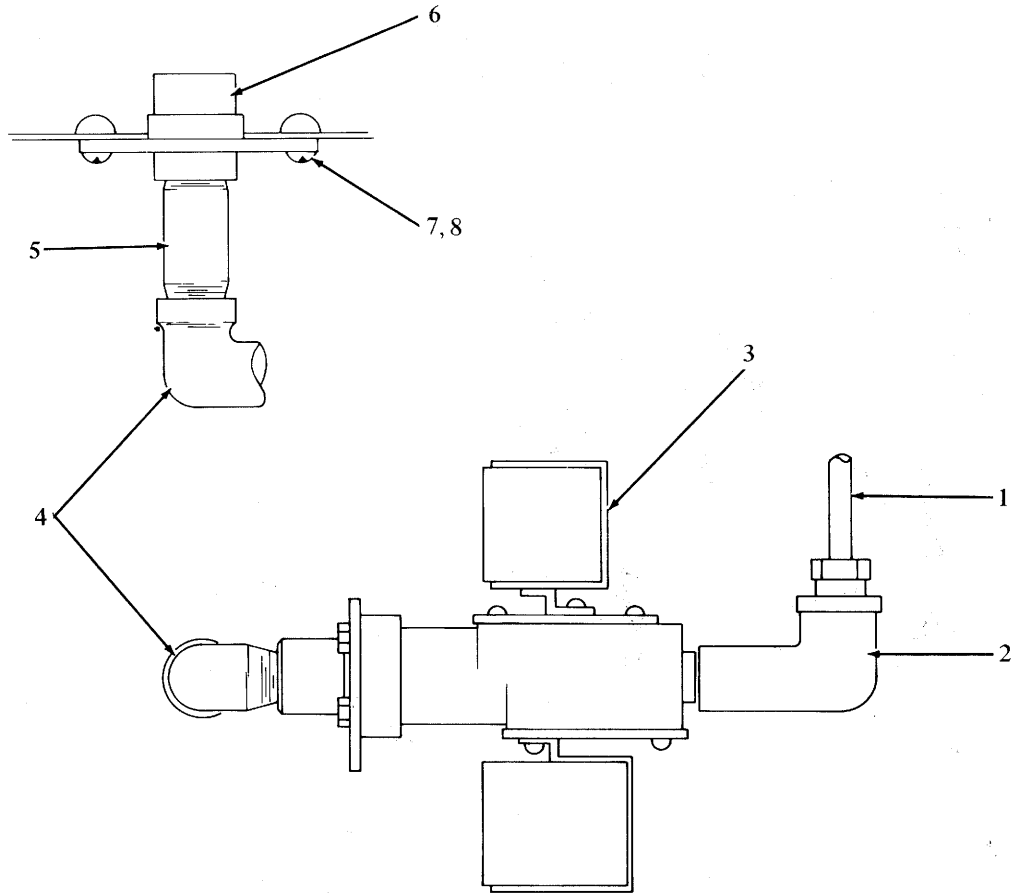
**WATER INLET
(WITH FILTER)**



ITEM NO.	PART NO.	NO. REQ.	PART NAME AND DESCRIPTION
-	-	-	Water Inlet (With Filter)
1	367957	1	Tubing
2	330146	1	Female Connector
3	360738	1	Water Valve Assembly (See Page 75)
4	332494	1	Street Elbow - 90°
5	335971	1	Nipple - Hex
6	359993-1	1	Water Purifier Cartridge
7	359992	1	Purifier Head
8	333761	1	Nipple
9	335525	1	Elbow
10	333761	1	Nipple - Hex
11	111325	1	Water Inlet Weld Assembly
12	V801204	4	Tapping Screw (AP for Item 11)
13	370842	4	Cover - Screw (AP for Item 11)

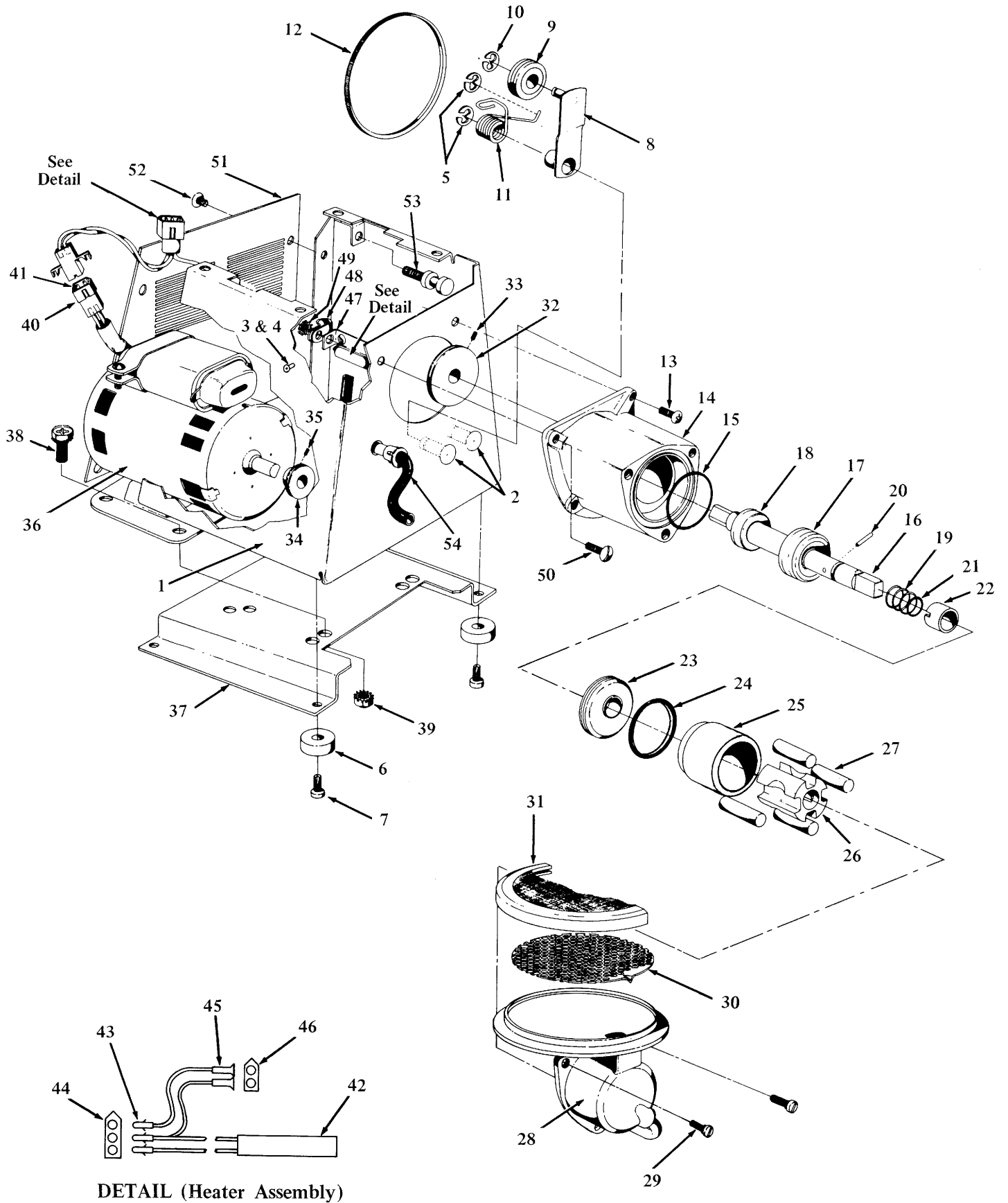
AP - Attaching Parts

**WATER INLET
(WITHOUT FILTER)**



ITEM NO.	PART NO.	NO. REQ.	PART NAME AND DESCRIPTION
-	-	-	Water Inlet (Without Filter)
1	379150	1	Tubing
2	321086-1	1	Elbow
3	360738	1	Water Valve Assembly (See Page 75)
4	332494	1	Elbow
5	333761	1	Nipple
6	111325	1	Water Inlet Weld Assembly
7	V801204	4	Tapping Screw (AP for Item 6)
8	370842	4	Cover - Screw (AP for Item 6)
			AP - Attaching Parts

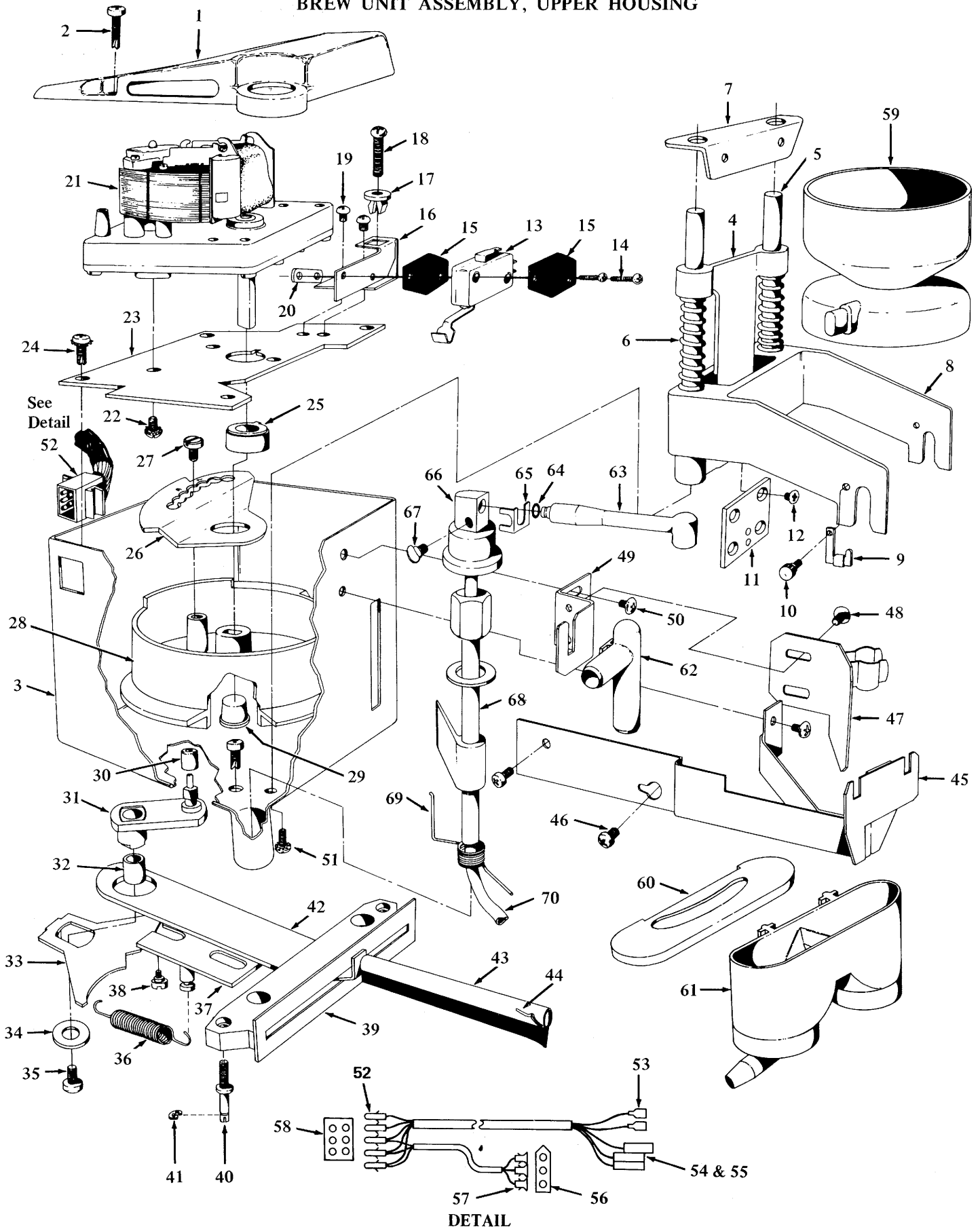
BREW UNIT ASSEMBLY, LOWER HOUSING



BREW UNIT ASSEMBLY, LOWER HOUSING

ITEM NO.	PART NO.	NO. REQ.	PART NAME AND DESCRIPTION
-	122840	1	Lower Housing Assembly
1	122790	1	Housing Rivet Assembly
2	343446	2	Rivet - Shoulder
3	346987	2	Shoulder Spacer
4	V322860-6	2	Rivet (For Shoulder Spacer)
5	V801081	2	Retainer Ring (For Rivet - Shoulder)
6	367841	4	Foot - For Motor
7	V800775	4	Tapping Screw
-	122743	1	Idler Arm Assembly
8	122819	1	Idler Arm Assembly
9	125116	1	Idler Pulley Assembly
10	V801077	1	Retainer Ring
11	368065	1	Spring - Idler Arm
12	368051	1	Belt
13	V801156	3	Machine Screw & Lock Washer
-	127452	1	Pump Assembly
14	367951	1	Housing - Pump
15	334554-35	1	O-Ring
-	122793	1	Shaft Assembly
16	367963	1	Shaft - Pump
17	367964	1	Bearing
18	367965	1	Bearing
19	367952	1	Spring
20	V801221	1	Spring Pin
21	334554-31	1	O-Ring
22	367953	1	Face Seal
23	367954	1	Bearing - Seal
24	379889	1	O-Ring
25	376172	1	Sleeve
26	367956	1	Rotor
27	368056	4	Roller - Pump
28	122748	1	Pump Cap Assembly
29	340708	3	Screw
30	368072	1	Screen - Support
31	368073	1	Screen
32	368071	1	Pulley - Pump
33	V800300	1	Set Screw
34	368050	1	Pulley - Motor
35	V800300	1	Set Screw
-	123059	1	Motor Assembly
36	367980	1	Motor Pump (With Starting Capacitor)
37	367945	1	Mounting - For Motor
38	V800427	4	Machine Screw & Lock Washer
39	V800959	4	Hex Nut & Lock Washer
40	345005-1	1	Plug - 2 Terminal
41	320196	2	Terminal - Male
-	125330	1	Heater Assembly
42	371822	1	Heater
43	320196	3	Terminal - Male
44	345733-1	1	Plug - 3 Terminal
45	320195	2	Terminal - Female
46	345008	1	Receptacle - 2 Terminal
47	372357	1	Bracket
48	324099-2	1	Clamp - Wire Retaining
49	V800957	1	Hex Nut & Lock Washer
50	V801379	1	Machine Screw
51	367949	1	Panel - Back
52	V800828	4	Tapping Screw
53	368064	2	Adjusting Screws
54	364261	1	Tube

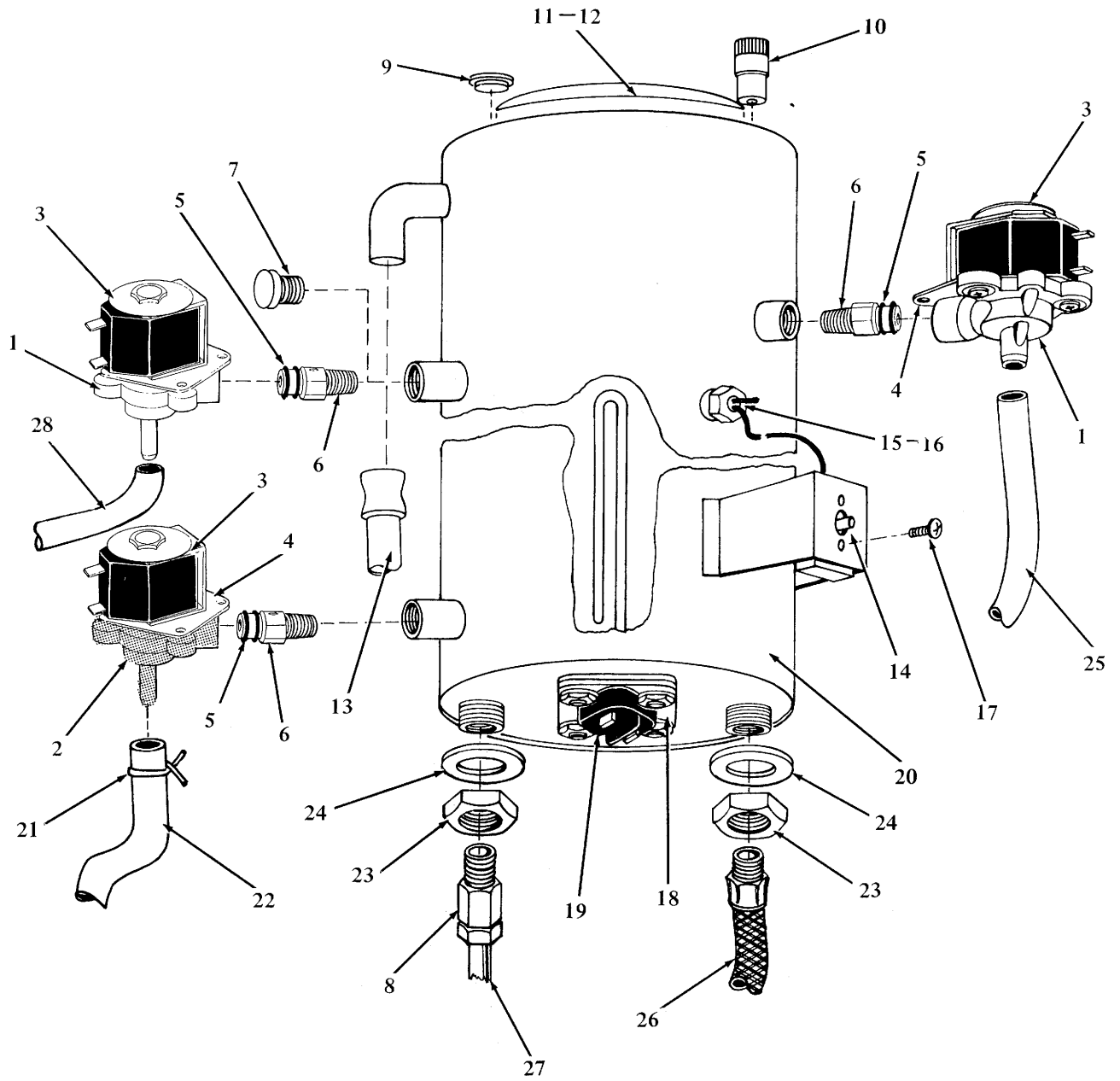
BREW UNIT ASSEMBLY, UPPER HOUSING



BREW UNIT ASSEMBLY, UPPER HOUSING

ITEM NO.	PART NO.	NO. REQ.	PART NAME AND DESCRIPTION
-	122837	1	Brew Unit Assembly
1	368052	1	Cover - Upper Housing
2	V801352	2	Tapping Screw
-	122836	1	Upper Housing Assembly
3	367866	1	Housing - Upper
4	122746	1	Guide Assembly
5	367845	2	Guide Rod
6	367849	2	Spring
7	367838	1	Bracket - For Guide Rod
-	V800828	1	Tapping Screw
8	122747	1	Arm Assembly
9	368063	2	Retainer (For Cylinder)
10	337132	2	Thumb Screw
11	126666	1	Cam Follower Assembly
12	V801354	4	Machine Screw and Lock Washer
13	337576	1	Switch (Brew Motor)
14	V800027	2	Machine Screw
15	D10-9005	2	Insulation
16	367843	1	Bracket (For Switch)
17	323005	1	Grommet - Plastic
18	V801194	1	Machine Screw
19	V800772	2	Tapping Screw (Holds Switch Plate)
20	337588-1	1	Plate - (Switch Retainer)
21	367862	1	Motor Brew Unit
22	V800352	3	Machine Screw and Lock Washer
23	367839	1	Mounting Plate - (For Motor)
24	V800776	4	Tapping Screw
25	367846	1	Upper Pivot - Cam
26	368337	1	Cam - Adjustable
27	368336	1	Shoulder Screw
28	367865	1	Cam
29	367844	1	Lower Pivot Cam
30	368057	1	Roller - Wiper Blade
31	122734	1	Lever Assembly
32	368054	1	Bearing - Pivot
33	367854	1	Arm - Release
34	370935	1	Washer
35	370451	1	Locking Screw
36	368340	1	Spring
37	122735	1	Rivet Assembly - Slide Release
38	368405	2	Shoulder Screw
39	367861	1	Level Guide (Wiper Blade)
40	368053	2	Shoulder Screw
41	V801070	2	Retainer Ring
42	122744	1	Wiper Arm Assembly
43	122745	1	Wiper Blade Assembly
44	489701	1	Cotter Pin
45	125364	1	Support Bracket Weld
46	V800851	2	Tapping Screw
47	123981	1	Shield Assembly
48	V800851	2	Tapping Screw
49	371948	1	Support Spout
50	V800825	5	Tapping Screw
51	V800399	2	Machine Screw (Guide Rod)
-	125329	1	Harness Brew Unit
52	320196	5	Terminal - Male
53	336138	2	Terminal
54	360806	1	Cover - Terminal (Triple)
55	360805	3	Terminal
56	345734	1	Receptacle - 3 Terminal
57	320195	3	Terminal - Female
58	345737	1	Plug - 6 Terminal
59	368010	1	Cylinder
60	370468	1	Cover - Transition Bowl
61	122839	1	Transition Bowl Assembly
62	368847	1	Spout - Water
63	367837	1	Tube - Outlet
64	480158-3	1	O-Ring
65	358004	1	Retainer
66	368005	1	Cap Assembly
67	V330566	1	Thumb Screw
68	122848	1	Transfer Tube Assembly
69	368061	1	Spring
70	364261-4	1	Tube

WATER TANK & VALVE ASSEMBLY

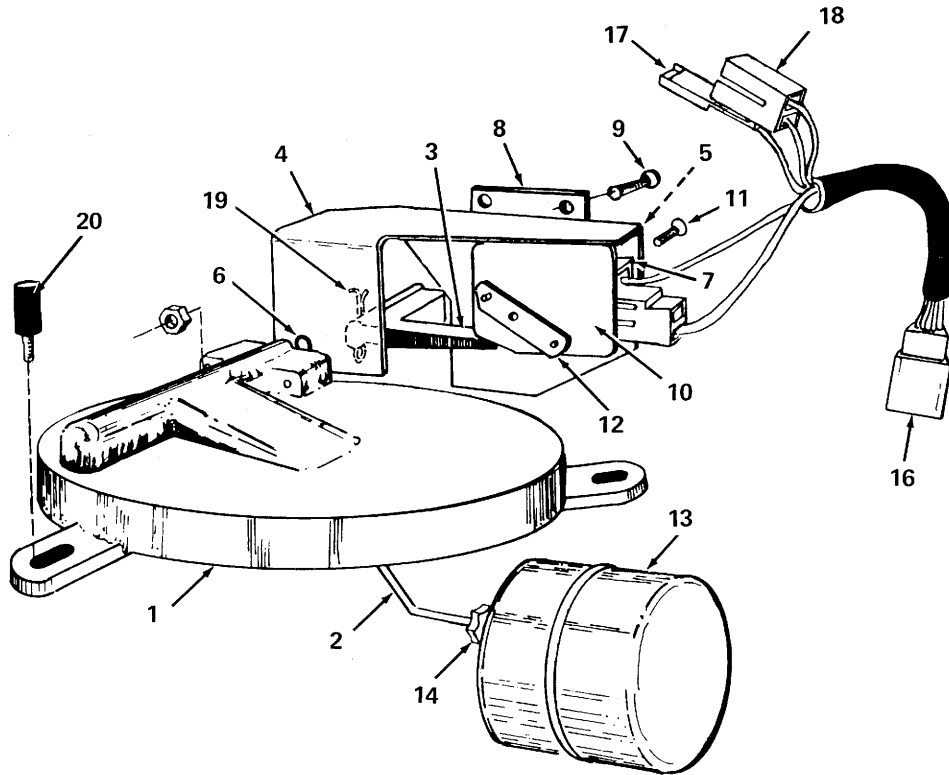


WATER TANK & VALVE ASSEMBLY

ITEM NO.	PART NO.	NO. REQ.	PART NAME AND DESCRIPTION
-	121662	2	Valve Assembly (Chocolate, Tea or Soup) (See Page 76)
-	121662-1	1	Valve Assembly (Coffee) (See Page 76)
1	361880	1	Valve Body (Chocolate, Tea or Soup)
2	123715	1	Valve Body (Coffee)
-	V800083	3	Machine Screw (AP for Items 1 & 2)
3	365168	1	Valve Assembly
4	364191	1	Valve Retainer Bracket
5	374229	A/R	"O" Ring
6	364190-1	3	Single Valve Fitting
7	321279-1	1	Plug
8	320827-1	1	Tube Fitting (Male) Water Inlet
9	341924	1	Grommet
10	366792	2	Knob
11	123241	1	Water Tank Lid Assembly (See Page 74)
12	342179-1	1	Tank Gasket
13	337438-4	1	Silicone Rubber Tube (Overflow)
-	113214	1	Thermostat Assembly
14	354005-2	1	Thermostat
15	341257	1	Nut
16	341258	1	Sleeve
17	V800060	2	Machine Screw (AP for Item 14)
18	368840	1	Immersion Heater Element
19	V801209	4	Hex Nut (AP for Item 18)
20	122788	1	Water Tank - Weld
21	339369	1	Hose Clamp
22	342228-7	1	Tube - Silicone Rubber (Coffee)
23	346506	2	Hex Nut
24	340849	2	Washer
25	90702-21	1	Tube - Silicone Rubber (Chocolate)
26	337438-4	1	Tubing (Flush Hose)
27	379151	1	Tubing (Water Inlet)
28	90702-23	1	Tube - Silicone Rubber (Tea or Soup)

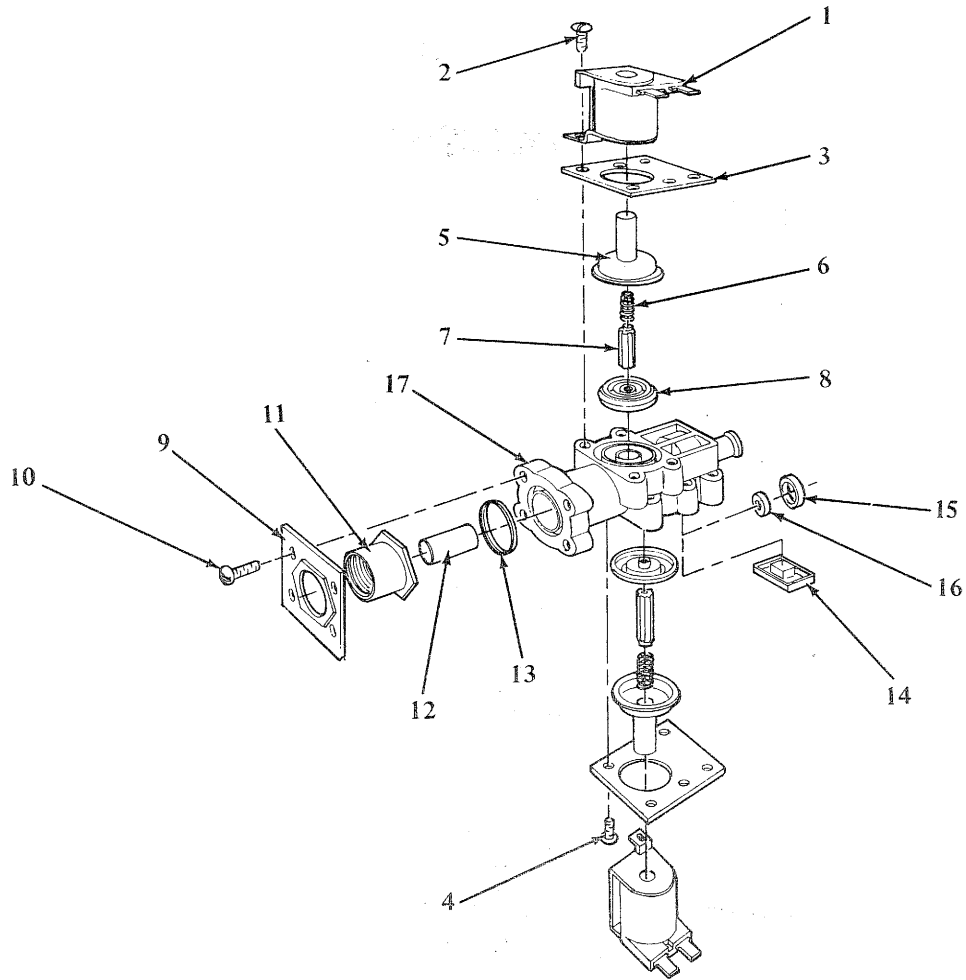
AP - Attaching Parts

WATER TANK LID ASSEMBLY



ITEM NO.	PART NO.	NO. REQ.	PART NAME AND DESCRIPTION
-	123241	1	Water Tank Lid Assembly
1	368594	1	Water Tank Cap
2	368595	1	Float Rod
3	368596	1	Switch Acutator
4	368597	1	Switch Bracket
5	342452	1	Switch (Not Shown) (Low Water)
6	376097	1	O-Ring
7	D10-8085	1	Switch (Water Level)
8	369075	1	Pivot Bracket
9	V800655	2	Tapping Screw
10	D10-9005	4	Insulation - Switch
11	V800027	4	Machine Screw
12	337588-1	2	Switch Screw Plate
-	V800954	1	Hex Nut and Lock Washer
13	341804	1	Float
14	V800903	1	Machine Screw Nut
-	V800085	2	Machine Screw
-	123909	1	Float Harness
15	345737-1	1	Plug - 6 Terminal
16	320196	1	Male Terminal
17	360805	5	Terminal (Not Shown)
18	360806	2	Cover Terminal (Triple)
19	V801095	1	Cotter Pin
20	366792	2	Knob

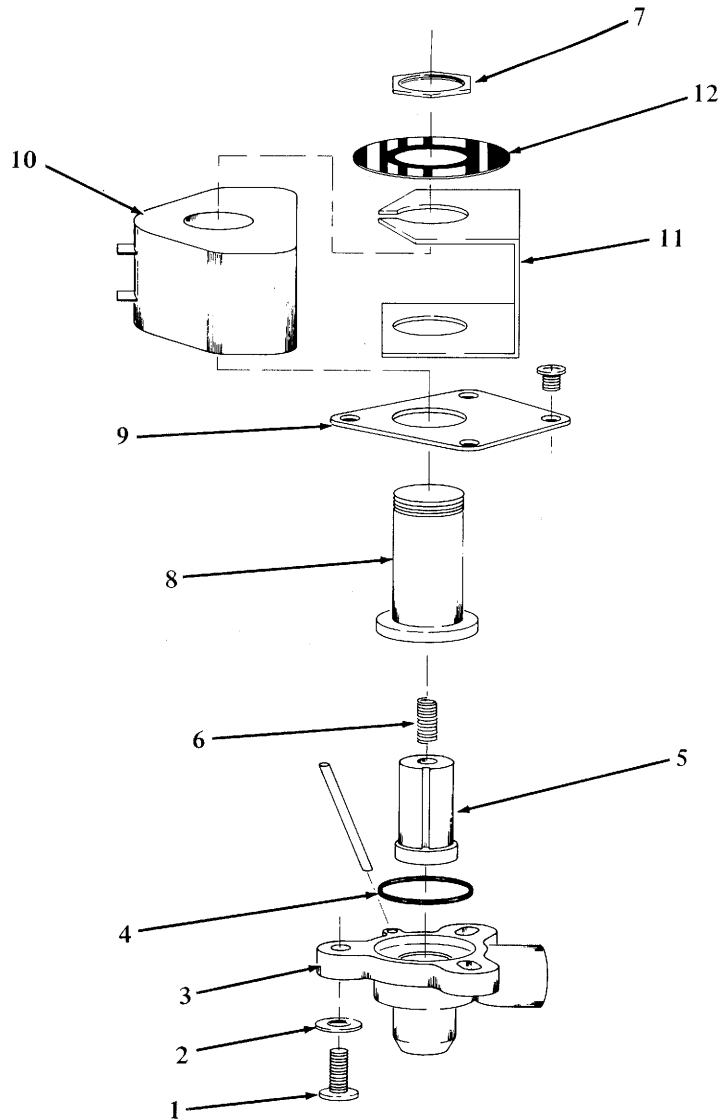
WATER VALVE



ITEM NO.	PART NO.	NO. REQ.	PART NAME AND DESCRIPTION
-	360738	1	Water Valve
1	361716-8	2	Coil Assembly
2	V800636	2	Tapping Screw (AP for Item 1)
3	361716-7	2	Hold Down Plate
4	V800636	7	Tapping Screw (AP for Item 3)
5	361716-6	2	Guide
6	361716-5	2	Spring
7	361716-4	2	Armature
8	361716-3	2	Diagram
9	361716-16	1	Bracket
10	V800636	4	Tapping Screw (AP for Item 9)
11	361716-14	1	Inlet Fitting
12	-	1	Inlet Screen
13	361716-13	1	Gasket
14	361716-12	1	Plug - Seal
15	361716-11	1	Insert
16	361716-10	1	Flow Washer
17	361716-1	1	Valve Body

AP - Attaching Parts

WATER VALVE ASSEMBLY



ITEM NO.	COFFEE PART NO.	CHOC./TEA/SOUP PART NO.	NO. REQ.	PART NAME AND DESCRIPTION
-	121662-1	-	1	Water Valve Assembly - Coffee
-	-	121662	1	Water Valve Assembly - Chocolate, Tea or Soup
1	V800083	V800083	3	Machine Screw
2	30678	30678	3	Flat Washer
3	123715	361880	1	Valve Body
-	365168	365168	1	Valve Assembly
4	365168-22	365168-22	1	"O" Ring
5	365168-1	365168-1	1	Plunger
6	365168-3	365168-3	1	Spring
7	361753-9	361753-9	1	Hex Nut
8	365168-2	365168-2	1	Guide Tube
9	364191	364191	1	Plate - Valve Mounting
10	361753-6	361753-6	1	Coil Assembly
11	365168	365168	1	Yoke
12	-	-	1	Name Plate

PRODUCT LABELS
HBA7B & HBA8B

<u>PART NO.</u>	<u>DESCRIPTION</u>
379586	Blank
379586-1	Coffee - Black
379586-2	Coffee - Light
379586-3	Coffee - Sugar
379586-4	Coffee - Light & Sugar
379586-5	Tea - "for extra Sugar, etc"
379586-6	Soup
379586-7	Soup - Beef
379586-8	Soup - Chicken
379586-9	Soup - Cream of Pea
379586-10	Soup - Potato
379586-11	Soup - Vegetable
379586-12	Soup - Tomato
379586-13	Soup - Onion
379586-14	Soup - Cream of Tomato
379586-15	Chocolate
379586-77	Decaffeinated Coffee
379586-81	Extra Sugar - Push & Hold
379586-82	Extra Light - Push & Hold
379852	Strong Coffee
379852-1	Blank - (Strong Coffee)

