



# TABLE TOP

## MTT SERIES



MODEL MTT-11

# Service & Parts Manual



# TABLE OF CONTENTS

## ❖ ❖ ❖ SERVICE ❖ ❖ ❖

SPECIFICATIONS .....	2
INTRODUCTION.....	3
UNPACKING & INSTALLATION.....	4
CONFIGURATION.....	4
COIN TRAY.....	5
PRODUCT LOADING.....	5
CHANGING PRICES .....	6
INSTALLATION CHECKLIST .....	10
CARE & CLEANING.....	10
TROUBLE SHOOTING.....	11

## ❖ ❖ ❖ PARTS ❖ ❖ ❖

FINAL ASSEMBLY.....	13
DOOR ASSEMBLY.....	14
CABINET ASSEMBLY.....	15
UPPER TRAY ASSEMBLY.....	16
LOWER TRAY ASSEMBLY.....	18
COIN MECHANISM (60¢ STANDARD) .....	20

# SPECIFICATIONS

<b>MODEL MTT-11</b>		
<b>Machine Dimensions</b>		
Height	28 inches	71 cm
Width	22 inches	56 cm
Depth	22 1/2 inches	57.2 cm
<b>Shipping Container Size</b>		
Height	30 1/4 inches	71 cm
Width	24 1/2 inches	56 cm
Depth	26 3/8 inches	57.2 cm
<b>Shipping Weight</b>	70 pounds / 31.8 kg	
<b>Number of Selections</b>	11	
<b>Money Handling</b>	Coins Only <small>(See Table 2 on page 9)</small>	USA      Nickels, Dimes Quarters
		Canada      1 Loonie, 1 Toonie
		Mexico      1 Peso
<b>Product Pricing Range</b>	45¢ to \$1.25 by 5¢	
<b>HELIX CAPACITIES</b>		
Upper Row - Snacks and Chips	4 Count x 6	
Lower Row - Sandwich Cracker & Candy	Varied Count x 7	
Total Capacity	105	
<b>RECOMMENDED MAXIMUM PRODUCT SIZE</b>		
Large Snack Helix	5 27/32 x 1 1/2 x 9-in.	148.4 x 38 x 228.6mm.
Candy/Sandwich Cracker Helix	2 15/16 x 15/16 x 5 1/2-in.	74.6 x 23.8 x 139.7mm

# INTRODUCTION

The contents of this manual contains service and installation guidelines and instructions pertaining to the **Mechanical Table Top Vendor**. Also included is the basic functions and operation of the vendor along with various options and accessories that are available for the machine. It is recommended that you read and thoroughly understand the information in this manual before attempting to put the vendor in operation.

The 11 selection **Mechanical Table Top Vendor** has been designed and engineered for many years of trouble-free merchandising, as well as maximum customer friendliness and simplified service and maintenance.

All selections can be priced individually at various vend prices ranging from 5¢ to \$1.25 in 5¢ increments.

Other features include:

- Larger display area for ultimate merchandising and product display.
- Adjustable helixes for greater vend reliability.

In addition to parts ordering catalog, this manual will detail in step-by-step form:

- \* Unpacking and installing the vendor.
- \* Loading product into the vendor.
- \* Adjusting the vendor.
- \* Setting and displaying the vend prices.
- \* Trouble shooting the vendor.
- \* Care and cleaning the vendor.

It is recommended that this manual be read thoroughly to familiarize the service person with the functions of all components along with the features that are available. The initial set-up of a machine is a very important step of insuring that the equipment operates in a trouble-free manner. By following the instructions at the initial installation of the machine, service problems can be avoided and set-up time will be minimized.

A model number and a specific serial number will identify each machine. These identification numbers appear on the serial number plate attached to rear of the vendor.

# UNPACKING & INSTALLATION

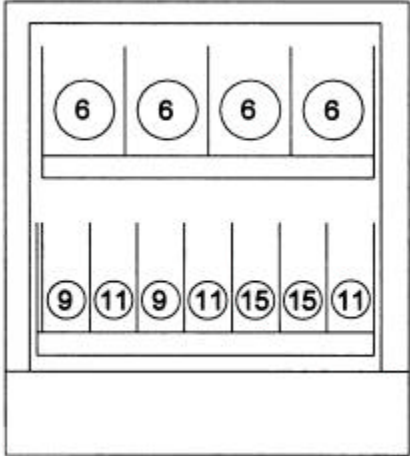
All vendors have been thoroughly inspected prior to shipment and have been packed in a manner to prevent damage during transit.

Unpacking is accomplished in the following manner:

1. Carefully open the shipping carton.
2. Carefully lift the vendor from the shipping carton.
3. Remove the foam packing material.
4. Remove the protective plastic bag.
5. Position the vendor on a solid, level surface. For proper operation it is important that the vendor be level.
6. Locate the key and open the vendor. Check that the door will open fully without interference.
7. Remove all internal packing material, Service Manual, spare parts and tape from inside the vendor. Adhesive residue can be removed with denatured alcohol or common household vinegar.

## CONFIGURATION

The tray configuration has been factory set to specifications as shown in the diagram below. If you should experience any change in product mix or package size, adjustments to this configuration can be made on location with a Phillips screwdriver and a 1/4-in. drive socket set.



A10664

Figure 2. Factory set Configuration

# COIN TRAY

The coin trays cannot be accessed without opening the door with the key. To remove coins from the machine, open the door, pull the product trays out about 4-inches and the coin trays will slide out from the right side of the tray front panel.

# PRODUCT LOADING

To load the trays with appropriate product, pull the tray forward until it stops. Load each shelf from back to front making sure all items fit freely between the helixes. Do not attempt to force oversized items into the spaces. All spaces forward **must** have a product in them; do not skip a space. General guidelines for each product type are as follows:

- A. **Large Snack Helix** - Medium bagged items and large candy/snack items are generally loaded with the bottom of the product resting on the tray bottom, between the helix coils. Flaps of bags should be folded up and toward the back of the machine
- B. **Sandwich Cracker/Candy Helix** - Sandwich cracker and candy items are generally loaded with the bottom of the product resting on the tray bottom, between the helix coils. Bars and roll items should lean to the back and to the right. Some items may vend better if they lean to the front.



**Figure 3. Loading example**

## NOTE

When loading the product, make sure that the product label is in full view to the buying customer. The product label should read from left to right or from bottom to top. See Figure 3.

# CHANGING PRICES

## NOTE

All selections are set to 60¢ at the factory.

Changing prices is a relatively simple procedure, follow the steps below and refer to the coin mechanism drawing in Figure 5.

### To change one or more coin mechanisms on a tray:

1. Open the door.
2. Slide the tray to be changed out of the cabinet a few inches. Remove the coin tray.
3. Rotate the selector knobs 1/4 turn clockwise. Detach the helixes from the helix drivers of all the selections. This may require unloading the product from the tray. To remove clips from helix, use wide screwdriver and push down. **Do not** jam the screwdriver blade into the clip or it may damage the clip. Refer to Figure 4.
4. Remove the four screws, two from each side of the front panel. Remove the front panel from the tray. Refer to Figure 4.
5. Turn the selector knobs clockwise 1/4 turn and set on a flat surface with selector knobs down.

## NOTE

Change only one mechanism at a time.

6. On the mechanism that is to be changed, loosen the two nuts holding the spring retainer in place and remove the retainer with springs attached. Refer to Figure 4.
7. Remove the two screws holding the helix driver and discs to the selector knob.
8. Change the combination of discs and assemble as shown in Figure 5 and Table 2.

### Reassemble the coin mechanism:

1. Assemble the discs in the combinations shown in Table 2.
2. The disc next to the helix driver (white or black) is turned upside down so rounded side will be at the top on this disc only.
3. Insert the two screws through the helix driver and all the discs.
4. Use a small amount of petroleum jelly to lubricate around the mechanism hole in the front panel. Hold the knob in place in the hole. Tighten mechanism screws into knob. If knob turns hard, loosen the screws 1/8 to 1/4 turn.
5. Turn the mechanism so the coin discs align with the spring retainer mounting studs. Reinstall the spring retainer. Do not tighten the nuts.
6. Turn the mechanism so the coin discs align with the coin tray (bottom). Raise the anti-reverse dog until the anti-reverse dog spring engages with it. This will allow the spring retainer to be seated against the panel.
7. Turn the mechanism so the coin discs align with the spring retainer again. Push the top of the retainer to the right so the finger spring is tight against the coin slots. Tighten the top nut. Tighten the bottom nut. **Do not over tighten the nuts.**



8. Check that the spring retainer is firmly seated against the mechanism panel and upper mounting stud. Check that the anti-reverse dog spring is engaged with the anti-reverse dog, and that the anti-reverse dog moves freely and locks into the ratchet disc as the mechanism is rotated counter-clockwise. If anti-reverse dog does not move freely, loosen the lower nut slightly. If this does not help, remove the spring retainer assembly and close the anti-reverse dog spring to put more pressure on the dog. Check that coin discs are aligned properly with fingers of finger spring. Test vend by inserting coins through slots on front of panel. Make sure finger springs are engaging coin disc correctly.

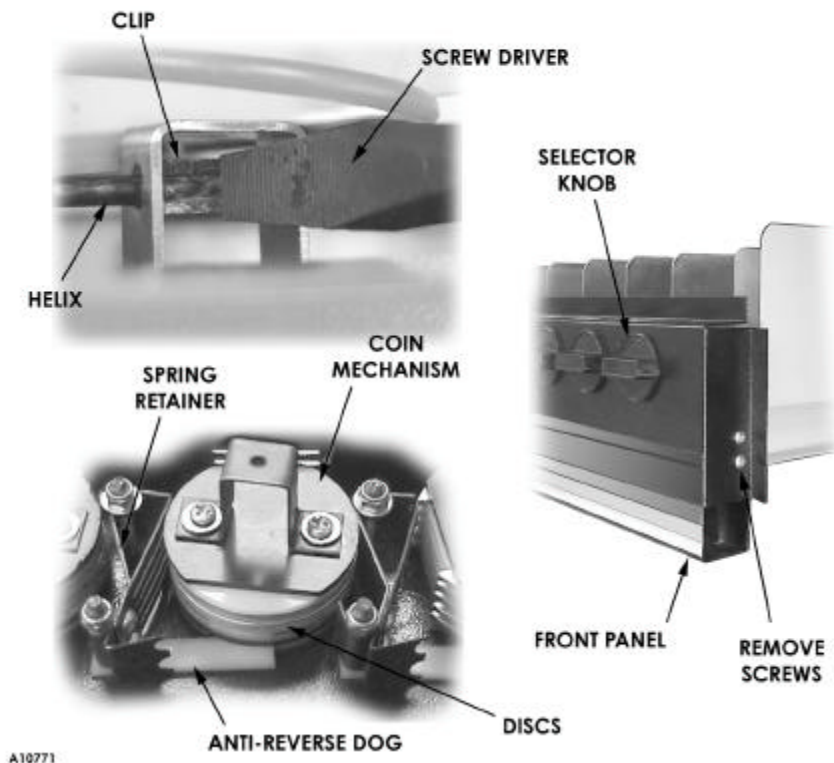


Figure 4. Spring Retainer & Coin Mechanism

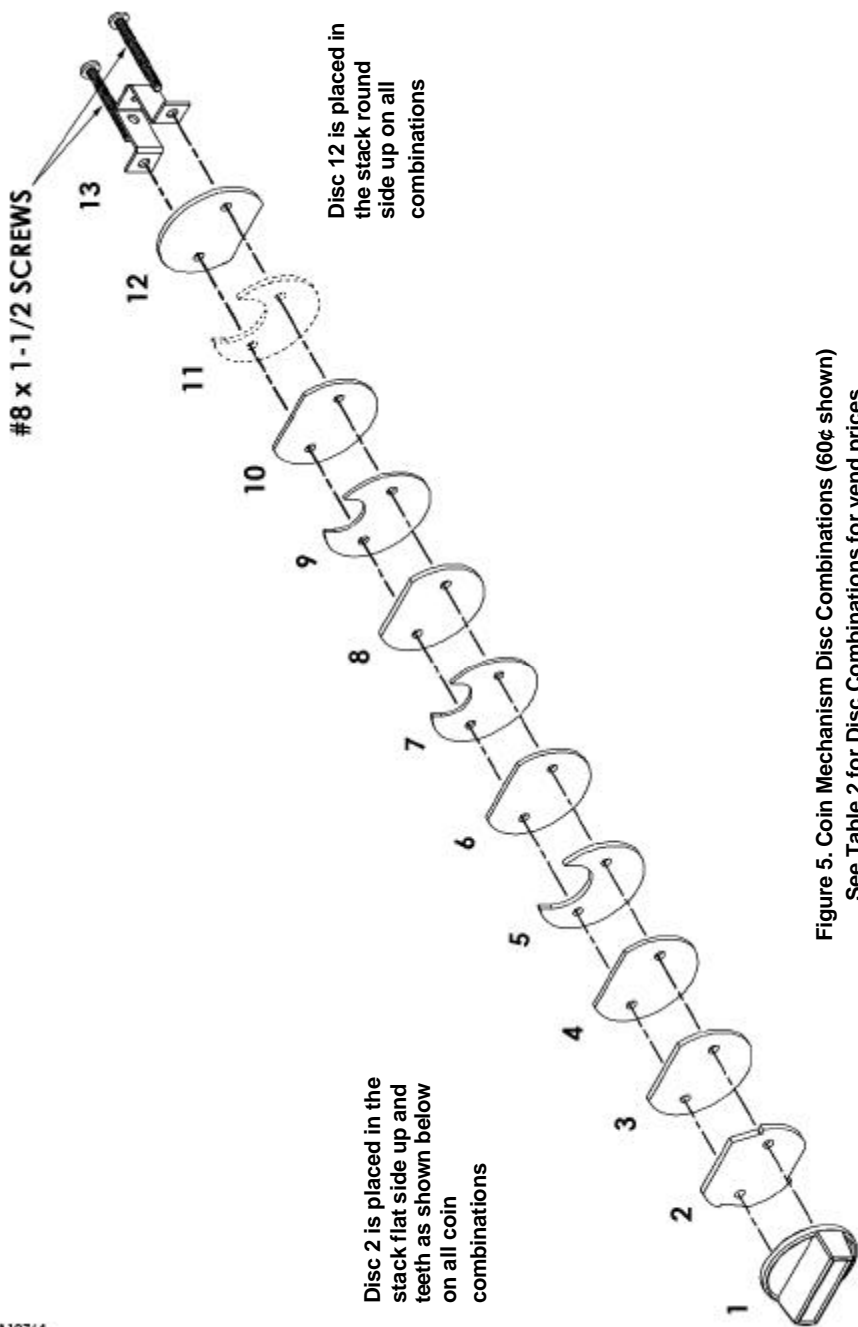


Figure 5. Coin Mechanism Disc Combinations (60¢ shown)  
See Table 2 for Disc Combinations for vend prices

**Table 2. Coin Mechanism Combinations**

SELECTOR PRICE	1	2	3	4	5	6	7	8	9	10	11	12	13
45¢	Knob	Ratchet	Black	White	C	White	B	Black	B	White	—	Black	Helix Driver
50¢			Black		C		C	White	Black				
55¢					C		C		A				
60¢					C		C		B				
65¢			C		C		B		A				
70¢			C		C		B		B				
75¢			Black		C		C		C				
80¢			C		C		C		A				
85¢			C		C		C	Black	B				
90¢			C		C		C	White	B	Black	A	White	
95¢			C		C		C		B	Black	B	White	
\$1.00			C		C		C		C	White	—	Black	
\$1.05			A		C		C		C		A	White	
\$1.10			B		C		C		C		B	Black	
\$1.25			C		C		C		C		C	White	
Loonie			Black		E	Black	White	Black	White	Black	—		
Toonie			Black		F	Black	White	Black	White	Black	—		

Cam Disc Size Legend: A=.05 US B=.10 US C=.25 US D=.50 US E=.10 US F=.25 US

# INSTALLATION CHECKLIST

1. All shipping brackets, packing material and tape have been removed from the vendor.
2. Vendor is level and properly located.
3. All components are installed on the vendor and are in good condition.
4. Coin mechanisms have been assembled to correct vend prices and are operating correctly.
5. All selections have been properly loaded and all items in each selection correspond to the vend price.

## CARE & CLEANING

### Cabinet Exterior

Wash with warm water and a mild detergent, rinse thoroughly and dry with a non-abrasive, lint free cloth. Wax occasionally with a quality grade liquid or paste auto wax. Minor scratches can be smoothed with rubbing compound, but deep scratches should be touched up with paint to prevent rust. Plastic parts should be cleaned with non-abrasive plastic cleaner. Jewelers "rouge" can sometimes be used to polish out scratches in plastic.

### Cabinet Interior

Wash with warm water and a mild detergent, rinse thoroughly and dry with a non-abrasive, lint free cloth. Adding baking soda or ammonia to the cleaning solution may eliminate offensive odors. Paint brushes may be used to clean hard to reach areas such as cabinet and delivery box corners. A damp sponge will pick up loose particles from the delivery box.

Occasional lubrication of the door lock screw and lock nut with a quality lubricant, such as lithium grease, will allow the locking mechanism to function more smoothly.

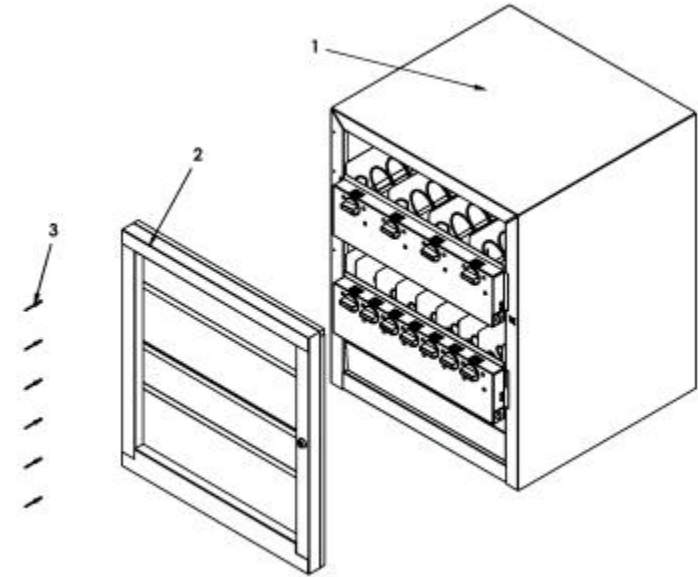
# TROUBLE SHOOTING

PROBLEM	POSSIBLE CAUSE
Coin Mechanism rotates without coins:	<ol style="list-style-type: none"> <li>1. Coin</li> <li>2. Top nut on spring retainer assembly is loose, allowing inadequate pressure on mechanism assembly.</li> </ol>
Coin Mechanism rotates backwards:	<ol style="list-style-type: none"> <li>1. Anti-reverse dog is broken.</li> <li>2. Anti-reverse dog spring is not applying proper tension to anti-reverse dog.</li> <li>3. Lower nut on spring retainer assembly is too tight.</li> <li>4. Ratchet disc is on backwards.</li> </ol>
Vendor accepts money but product does not vend:	<ol style="list-style-type: none"> <li>1. Empty spaces between product.</li> <li>2. Product is not loaded properly.</li> <li>3. Wrong size product helix.</li> <li>4. Product is not tilted slightly back and to the right.</li> <li>5. Bottom flap of bag is under helix coil causing jamming.</li> </ol>
Product not falling properly. Helix coil seems to bind up:	<ol style="list-style-type: none"> <li>1. Product is too large or too much air in bag for coil spacing.</li> <li>2. Product is not standing upright in coil space or is off to one side.</li> <li>3. Helix coil is bent.</li> <li>4. Divider is not installed in correct location on riser.</li> </ol>

# PARTS LISTING

**FINAL ASSEMBLY.....13**  
**DOOR ASSEMBLY.....14**  
**CABINET ASSEMBLY.....15**  
**UPPER TRAY ASSEMBLY.....16**  
**LOWER TRAY ASSEMBLY.....18**  
**COIN MECHANISM (60¢ STANDARD).....20**

# FINAL ASSEMBLY



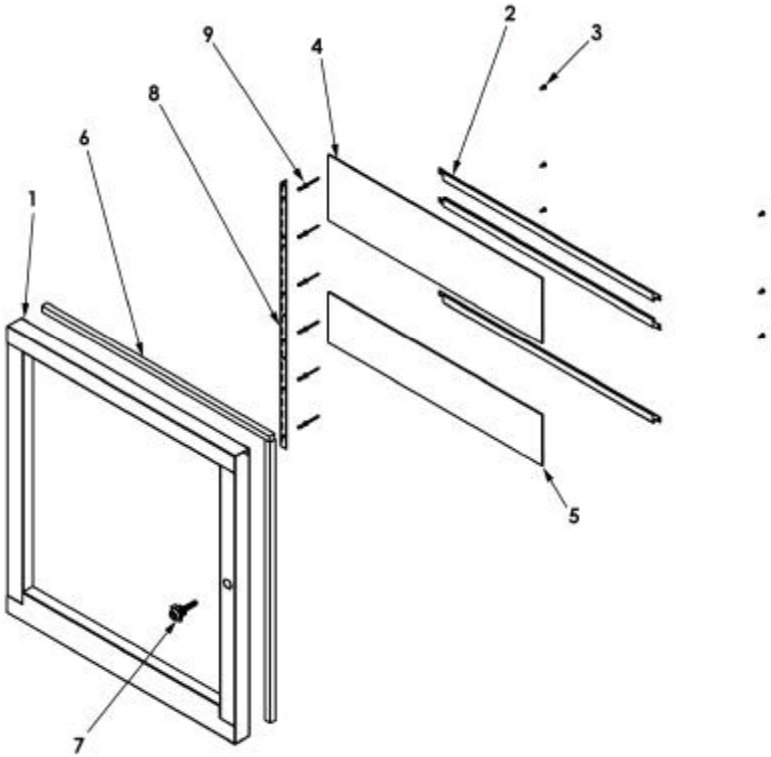
A18772

ITEM	PART NO.	QTY	DESCRIPTION
1		1	Cabinet Assembly (on page 15)
2		1	Door Assembly (on page 14)
3	4210379	6	1/4 - 3/8 x 5/32 Rivet Black

## Spare Parts Included With Vendor

PART NO.	QTY	DESCRIPTION
4210338	5	C Disc (25¢ US)
4210339	5	A Disc (5¢ US)
4210337	5	B Disc (10¢ US)
4210341	2	Black Disc
4210340	2	White Disc
4210376-065	5	Price Label 65¢
4210376-070	5	Price Label 70¢
4210376-075	5	Price Label 75¢
4210371	1	Handle Operation Label

# DOOR ASSEMBLY

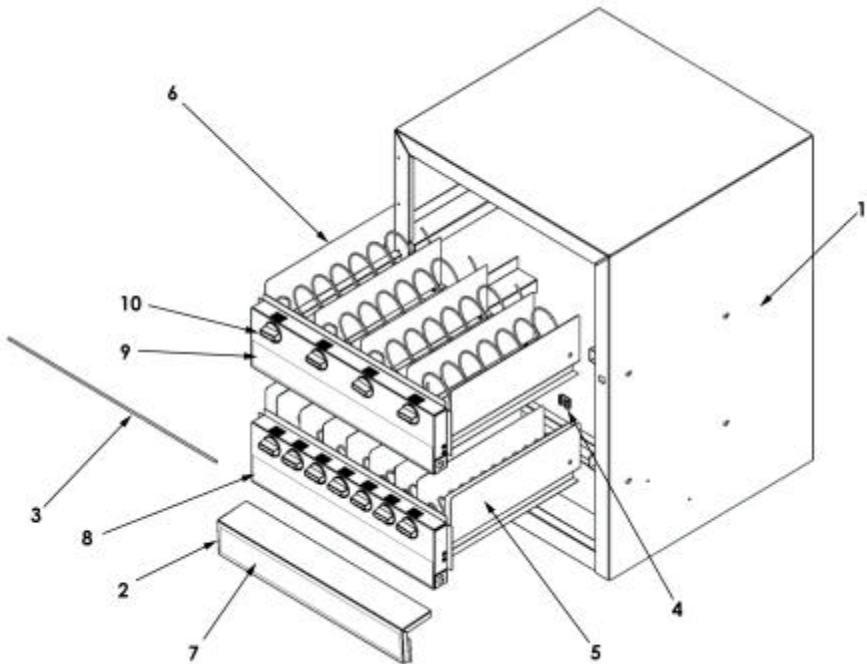


A10745

ITEM	PART NUMBER	QTY	DESCRIPTION
	1215124	1	Door Assembly
1	1215117	1	Door Frame Weld
2	4210370	3	Window Retainer
3	4211393	6	3.5 mm x 9.5 Phillips Pan Head Type-T Screw
4	4210369-001	1	Product Window, Large
5	4210369	1	Product Window, Small
6	4210377	4	1/2 x 1/2 Foam
7	4210365	1	Key Lock
8	4210366	1	Door Hinge
9	4210379	6	1/4 x 3/8 x 5/32 Rivet, Black



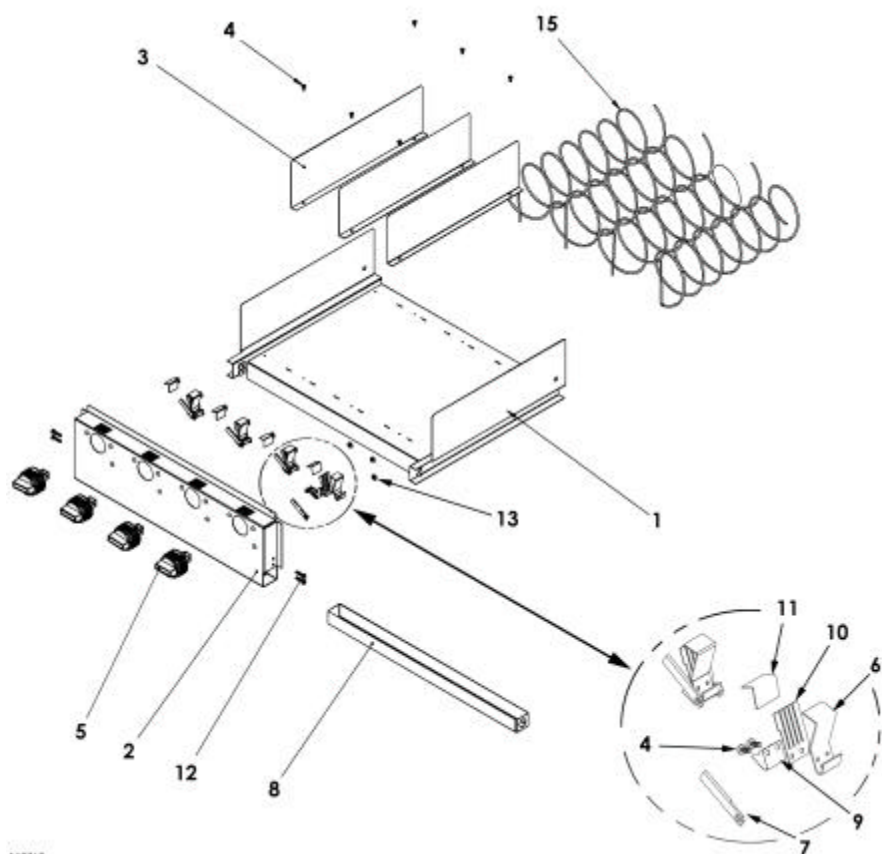
# CABINET ASSEMBLY



A10796

ITEM	PART NO.	QTY	DESCRIPTION
	1215123	1	Cabinet Assembly
1	1215122	1	Cabinet Sub-assembly
2	4210357	1	Delivery Door
3	4210362	1	Delivery Door Rod
4	4210373	1	Nut 5/16 x 18 (Door Lock)
5	1215119	1	Lower Tray – 7 Select (on page 18)
6	1215118	1	Upper Tray – 4 Select (on page 16)
7	4210371	1	Push Label
8	4210382	1	Horizontal Lines Decal
9	4210381	1	Snack Time Decal
10	4210372	1	Handle Label

# UPPER TRAY ASSEMBLY

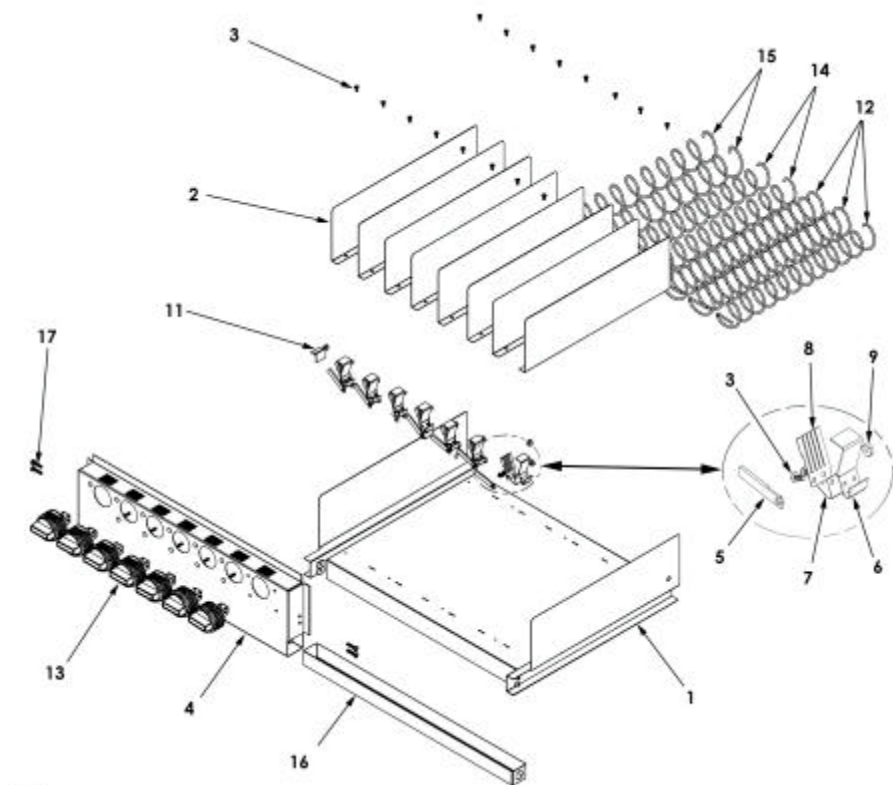


A187A7

## Upper Tray Assembly

ITEM	PART NO.	QTY	DESCRIPTION
	1215118	1	Tray Assembly – 4 Select
1	1215116	1	Tray
2	1215120	1	4-Select Front Panel
3	4210335	3	Product Divider
4	4211393	14	3.5 mm x 9.5 Phillips Pan Head Type-T Screw
5		4	Coin Mechanism Assembly (on page 20)
6	4210351	4	Spring Retainer
7	4210321	4	Anti-Reverse Dog
8	4210334	1	Coin Tray
9	4210352	4	Pawl Spring
10	4210354	4	Finger Spring
11	4210350	4	Retainer
12	4211392	4	4 mm x 19 Phillips Pan Head Machine Screw
13	4211390	4	4 mm Nylok Nut
14	4211389	8	4 mm Hex Nut with External Tooth Washer
15	4210344.006	4	Helix – 4-in. Diameter, 6-Count

# LOWER TRAY ASSEMBLY

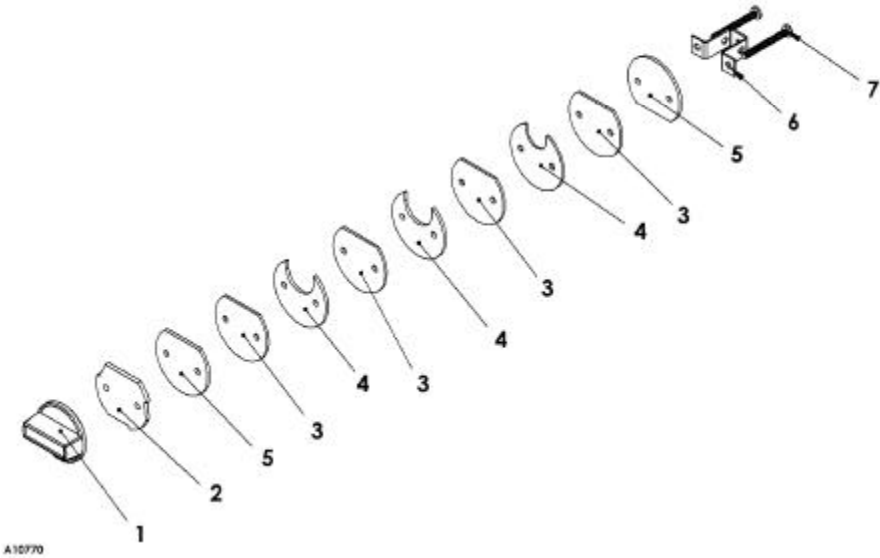


A18749

## Lower Tray Assembly

ITEM	PART NO.	QTY	DESCRIPTION
	1215119	1	Lower Tray – 7 Select
1	1215116	1	Tray
2	4210335	8	Product Divider
3	4211393	30	3.5 mm x 9.5 Phillips Pan Head Type-T Screw
4	1215114	1	7-Select Front Panel
5	4210321	7	Anti-Reverse Dog
6	4210351	7	Spring Retainer
7	4210354	7	Pawl Spring
8	4210352	7	Finger Spring
9	4211390	7	4 mm Nylok Nut
10	4211389	8	4 mm Hex Nut W/External Tooth Washer
11	4210350	7	Retainer
12	4210345.011	3	Helix – 2-in. Diameter, 11-Count
13		7	Coin Mechanism Assembly (on page 20)
14	4210345.009	2	Helix – 2-in. Diameter, 9-Count
15	4210345.015	2	Helix – 2-in. Diameter, 15-Count
16	4210334	1	Coin Tray
17	4211392	4	4 mm x 19 Phillips Pan Head Machine Screw
18	4211854	7	Wire Clip (not shown)

# COIN MECHANISM (60¢ STANDARD)



ITEM	PART NO.	QTY	DESCRIPTION
	1215134	1	Coin Mechanism Assembly (60¢ US)*
1	4210327	1	Selector Knob
2	4210328	1	Ratchet Disc
3	4210340	A/R	White Disc
4	4210339	A/R	A Disc (5¢ US)
	4210337	A/R	B Disc (10¢ US)
	4210338	A/R	C Disc (25¢ US)
	4211351	A/R	D Disc (5 Peso)
	4210983	A/R	E Disc (1 Loonie)
	4210984	AR	F Disc (1 Toonie)
5	4210341	A/R	Black Disc
6	4210353	1	Coil Driver
7	4211395	2	3.5 x 38 Phillips Pan Head Sheet Metal Screw

\* See pages 8 - 9 for disc combinations for prices 45¢ to \$1.25

# NOTES

*The contents of this publication are presented for informational purposes only, and while every effort has been made to ensure their accuracy, they are not to be construed as warranties or guarantees, express or implied, regarding the products or services described herein or their use or applicability. We reserve the right to modify or improve the designs or specifications of such products at any time without notice.*



**VendNet**<sup>®</sup>  
165 North 10th Street  
Waukee, Iowa 50263 - USA  
International Service & Parts 515-274-3641  
USA & Canada Service 800-833-4411 • Parts 888-259-9965  
E-Mail: [vendnet@vendnetusa.com](mailto:vendnet@vendnetusa.com)  
Web Site: [www.vendnetusa.com](http://www.vendnetusa.com)

