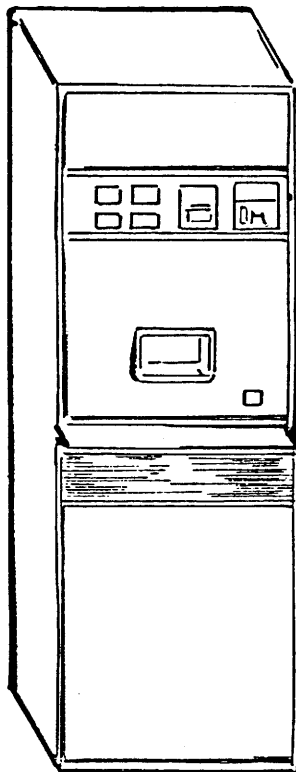


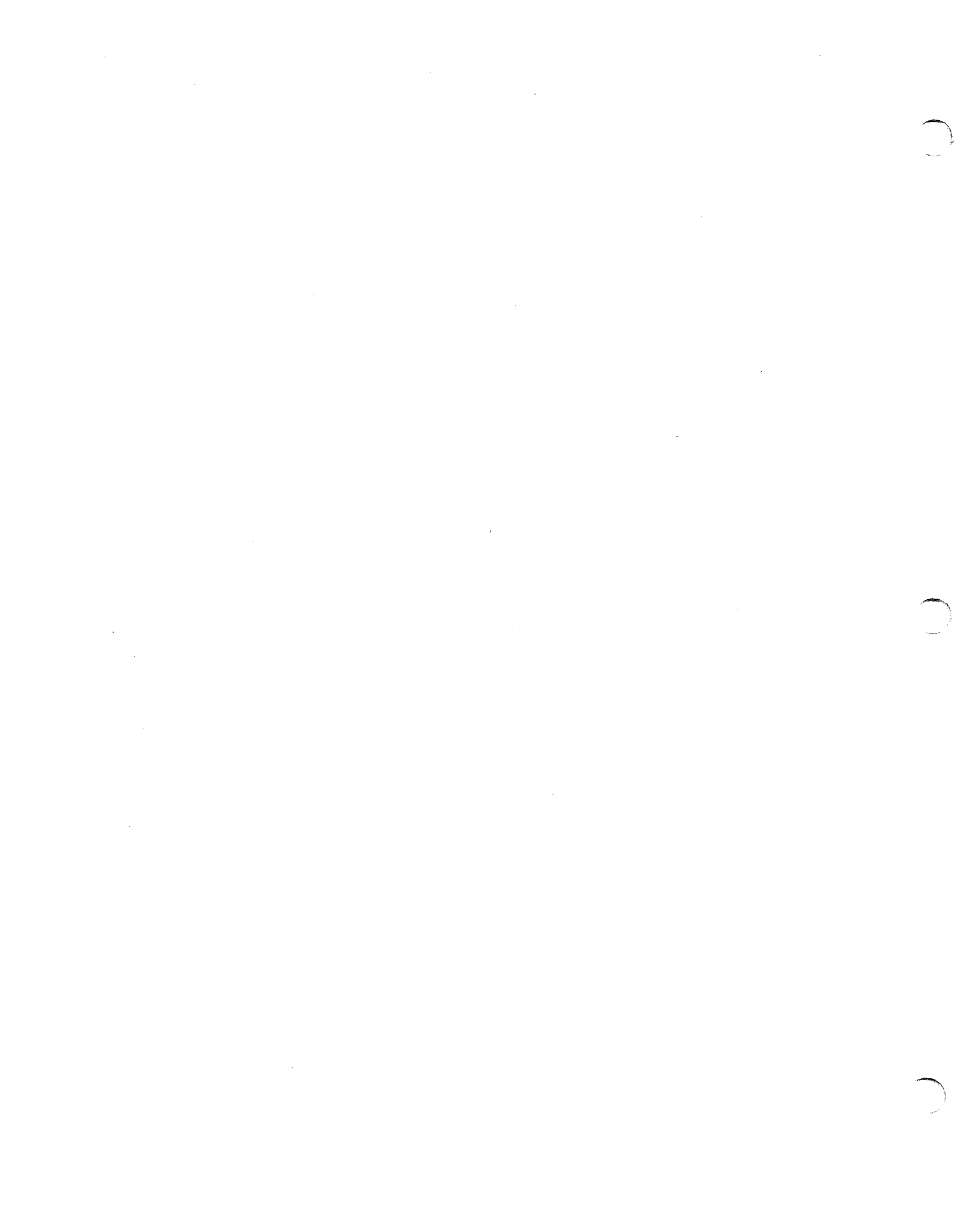
TEMPORARY SERVICE MANUAL

COLD DRINK CENTER

Model No. 3000



Part Number 20871



INTRODUCTION

This manual contains installation and service information on the Model 3000 Cold Drink Center, associated optional equipment and accessories.

The Model 3000 is a Four(4) select 12oz., can drink dispenser utilizing the "First-in", "First-out" vend principle on all selections.

The option of a dollar bill validator adds another total dimension to the capabilities on this vendor.

The Cold Drink Center has two pre-cool storage shelves mounted to the inner door. The lower cabinet has ample and convenient storage space for additional supplies.

SPECIFICATIONS

DIMENSIONS:

Height 72½"
Width 25"
Depth 32 3/4"

ELECTRICAL:

115 VAC
10 AMP
60 CYCLE

CAPACITIES:

24 Can Per Selection
7 Can Per Storage Shelf
96 Total Vend Capacities

REFRIGERATION:

1/5 Horse Power
3½ Oz. R-12 Refrigerant

WEIGHT:

376 Lbs.

STORAGE AREA:

Height 24"
Depth 28"
Width: 25"

INSTALLATION

UNPACKING

This machine was thoroughly inspected before leaving the factory, and the carrier has accepted this vendor as their responsibility. Any damage or irregularities should be noted at the time of delivery and immediately reported to the delivering carrier. Request a written inspection report form from the claims inspector to file any freight claim for damage, FILE CLAIM WITH THE CARRIER NOT THE MANUFACTURER, within Fifteen(15) days after receipt of the machine.

Remove all packing material in a manner not to damage the finish or exterior of vendor.

Remove the "knock-away" supports by inserting a screw driver and splitting the "knock-away" in two. Turn the leveling screws in as far as possible.

LEVELING

The vendor must be level for proper operation and acceptance of coins through the coin mechanism.

Position the vendor in its place of operation. Leave at least Four(4) inches behind vendor for proper air circulation.

Level the vendor from front to back and side to side, make sure all levelers are touching the floor.

MAIN POWER CORD

All electrical equipment must be properly polarized and grounded. This vendor is wired so that it is properly polarized in accordance with the electrical code. If the wall outlet is wired and grounded properly, then the vendor will connect properly.

Shown in figures 1 & 2 are two properly grounded and polarized wall outlets. One is a three wire grounding type wall outlet (see fig. 1) and one is a two wire wall outlet (see fig. 2) with an adaptor in place. To make a polarity check use a volt-ohm meter or a 115 volt neon test light as shown. The hot side of the circuit should always be counter clockwise from the grounded terminal with the grounded terminal at the bottom. If the polarity at the wall outlet shows any other way, than shown in figures 1 or 2, the outlet needs to be rewired.

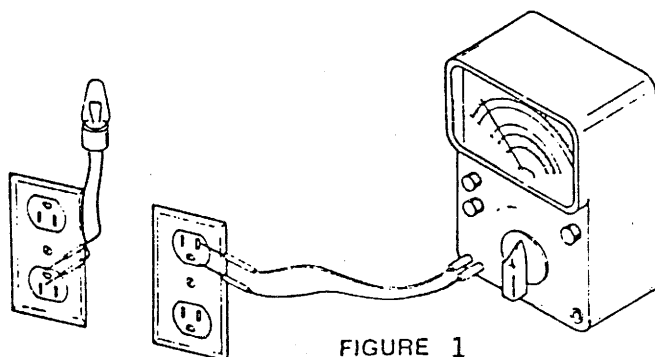


FIGURE 1

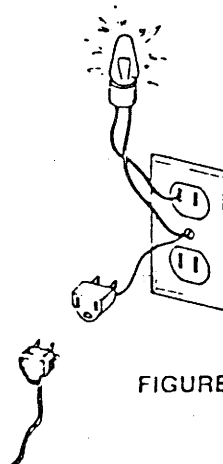


FIGURE 2

INSTALLATION

LOCKS AND KEYS

Vendors are shipped with locks installed. Keys for locks are taped in the COIN RETURN CUP.

POWER SUPPLY

The Model 3000 operates on a standard 115 Volt AC, 60 Cycle, 20 Amp circuit. The internal vend circuit is protected by a 5 Amp circuit breaker, located in the lower cabinet area attached to the refrigeration housing.

COIN MECHANISM

The coin mechanism is mounted on the upper door with Three (3) mounting screws. The coin mechanism must be plugged into coin mechanism receptacle. Fill the coin mechanism change tubes with the proper coinage. Set the vend price in the coin mechanism according to the coin mechanism instructions provided.

PRODUCT LABELS

To install or remove the product label, remove shield on inside of upper door covering selection switches. The product labels slide into the selection push button from left to right when facing inside of upper door.

DOOR SWITCHES - (POWER SWITCHES)

The door power switches are a Three (3) position spring loaded switch. One is located behind the upper door inside the main cabinet, upper left hand corner. The other power switch is located in the lower cabinet upper left hand corner. These switches are closed or activated to the VEND MODE when the upper or lower doors are closed. Or they may be activated by pulling out on the switch plungers. To operate the vendor with either or both doors opened you must first activate the door switches.

EXAMPLE: With both doors open, both switches must be activated to test machine function.

FREE VEND SWITCH

The free vend switch is operated by a "KEYED" locking lever located on the outside of the upper door. By setting vendor on free play you are able to make any selection without depositing money into the coin mechanism.

THIS KEY IS TAPED IN CASH BOX.

INSTALLATION

SELECTION SWITCHES

The selection switches are located on the inside of the upper door, behind a removable shield. To remove the shield pull out on the plastic plug retainers and lift off the shield.

The selection switch when operated, with credit established sends a vend pulse to the vend mechanism solenoid thru the sold-out switch and vend complete switch for that selection.

PRICE LABELS

To install or change price labels, remove the product label and place the price label directly on to the product label, re-insert product label into push button.

PRICE SETTING INSTRUCTIONS

The vend price is controlled by the single price changer.

NOTE: See price setting instruction provided with coin mechanism.

LOADING INSTRUCTIONS

The selections are numbered from left to right when facing the vendor. There are Four (4) 12oz., selection in the vendor, with Two (2) pre-cool shelves on the back of the inner door. Each selection will hold approximately 24 cans with 14 cans in pre-cool shelves.

The can rack is composed of four columns. Each column normally contains a different flavor. A column consist of 5 slant shelf sections and should be loaded in the following sequence.

1. Start loading the product from the second section of the column. Take care when loading an empty column, that the product loaded does not fall against the cam escapement and puncture the can, when the section is full continue filling the remainder of the sections for that column.
2. Continue to load all of the columns in the above sequence.

NOTE: Do not place cans in front of the evaporator coil, this blocks the air flow thru the coil and could cause refrigeration problems.

IMPORTANT: After loading the columns, make sure that the product labels and product corresponds to each selection.

FEATURES AND FUNCTIONS

EJECTOR MECHANISM ASSEMBLY

The ejector mechanisms are located below the can rack assembly in the upper cabinet area.

This mechanism receives the vend signal from the selection switch to eject a selection. Incorporated in the vend mechanism are the vend solenoid, sold-out switch, vend complete switch, yoke assembly and cam escapements.

VEND SOLENOID

The vend solenoid when operated, moves the yoke assembly, cam escapements and activates the vend complete switch, which allows product to be dispensed.

SOLD-OUT SWITCH

The sold-out switch is activated by the can in the vend position. If no cans are present this switch will activate and light the SOLD-OUT LIGHTS.

VEND COMPLETE SWITCH

The vend complete switch when activated by the action of the yoke assembly de-energizes the time delay relay to cancel credit on coin mechanism.

YOKE ASSEMBLY

The yoke assembly, when operated by the vend solenoid, operates the vend complete switch, cam escapements and retains the second can during the vend cycle.

CAM ESCAPEMENTS

When operated by the yoke assembly allows the delivery of a product. They retain the product in vend position.

COIN INSERT ASSEMBLY

Located in the upper door, this assembly contains the instruction decal, coin return lever, and coin insert slot, directs the coin inserted to the coin mechanism to establish a credit. If a bent coin or foreign material lodges in coin mechanism acceptor, the coin return lever, by pressing down on lever will clear the coin mechanism of lodged material. The coins will be returned to the COIN RETURN CUP located in the upper door lower right hand side.

FEATURES AND FUNCTIONS

DELIVERY DOOR

Delivery door, is located in the upper door, lower center. This door allows the product to be taken out of vendor after a vend has been made. The delivery door also provides a sealing function for the upper refrigerated area.

SOLD-OUT LIGHTS

The sold-out lights, located next to the selection buttons on the outer door, indicates to the customers when a selection is out of product. These lights are operated by a sold-out switch located in the ejector mechanism assembly.

CONTROL BOX

The control box, mounted to the inside of the upper door, directs the function of the vendor. Contained in the control box are the, coin mechanism receptacle, vend relay, time delay relay, coin mechanism mode switch and an optional counter.

COIN MECHANISM MODE SWITCH

The mode switch, located on the side of the control box, is a Two (2) position switch held in position by a locking plate. The two positions which are marked, "Escrow To Vend Price/No Escrow", the down position, and "Escrow To Select" the up position, are used in reference to the type of coin mechanism in the vendor.

THE DOWN POSITION

"Escrow To Vend Price/No Escrow" is used with the following feature in the vendor.

1. Standard single price coin mechanism.

The mode switch in the down position, "Escrow To Vend Price/No Escrow", using a "Mars Single Price Coin Mechanism". The money deposited into the vendor below the vend price.

EXAMPLE: The vend price is set at 50¢ and the money deposited is equal to less than 50¢.

The money can be returned to the customer by activating the coin return lever.

When using a "Coinco Coin Mechanism", the money deposited into the vendor can not be returned by activating the coin return lever with the mode switch in the down position.

NOTE: When the vend price is established, a selection must be vended, no monies will be returned when activating the coin return lever.

FEATURES AND FUNCTIONS

COIN MECHANISM MODE SWITCH

The mode switch in the Up Position "Escrow To Select", is used with the following feature in the vendor.

1. Standard single price coin mechanism with Escrow.
(Mars MC5807) Coin Mechanism
(Coinco S300) Coin Mechanism
2. Dollar bill validator (up stack only)
Mars or Maka

The mode switch in the Up Position "Escrow To Select" using a single price coin mechanism with the Escrow feature. The monies deposited into the vendor at anytime prior or before a selection switch is activated, can be returned to the customer by activating the coin return lever.

NOTE: Before a selection is made in the vendor, a customer may receive their monies back by activating the coin return lever.

FREE VEND SWITCH

The free vend switch is operated by a "KEYED" locking lever, located on the outside of the upper door next to the selection buttons. When the free vend switch is activated, by locking lever, this establishes a credit which enables the vendor to dispense a product without depositing money into the coin mechanism.

VEND RELAY

The vend relay is a plastic enclosed Four (4) pole plug-in type relay. The vend relay receives a credit impulse from the coin mechanism and holds the impulse or credit until a selection is vended.

When the vendor is in the stand-by circuit, (ready to accept money) with the "Mode Switch", in the down position, the vend relay will be de-energized or open. At stand-by, with the "Mode Switch", in the up position, the vend relay will be energized or closed.

TIME DELAY RELAY

The time delay relay is a single pole open type relay with a capacitor, resistor and diode attached. The function of this relay is to cancel credit to the vend relay during a normal vend cycle.

With the vendor in a stand-by circuit, (ready to accept money), with the "Mode Switch" in the down position, the time delay relay will be de-energized or closed. The machine at stand-by, with the "Mode Switch" in the up position, the time delay relay will be energized or closed.

FEATURES AND FUNCTIONS

COUNTER

The optional counter mounts to front face of control box. This counter will count number of items vended in machine.

REFRIGERATION SYSTEM

The refrigeration system is a 1/5 horse power sealed unit. The system is mounted thru the back of the vendor, and spans both the upper and lower area's. The refrigeration system consist of the following components:

1. Compressor and Sealed System

The sealed system consists of a compressor, evaporator, condensor and all copper tubing connecting the components. Do not puncture or break sealed system without pryor authorization from the Factory Service Department.

2. Condensor Fan and Motor

Located between the compressor and condensing unit. The function of this fan is to cool the compressor when the compressor is running.

3. Evaporator Fan and Motor

Located on top of the evaporator unit, it's function is to circulate air thru the evaporator and around the upper insulated cabinet. This fan motor will be running al all times.

4. Cold Control

The cold control, located on the right hand side frame of the evaporator cover, function is to sense the internal temperature of the upper insulated cabinet and switch the compressor unit "ON" and "OFF" when desired temperature is reached.

5. Overload Protector

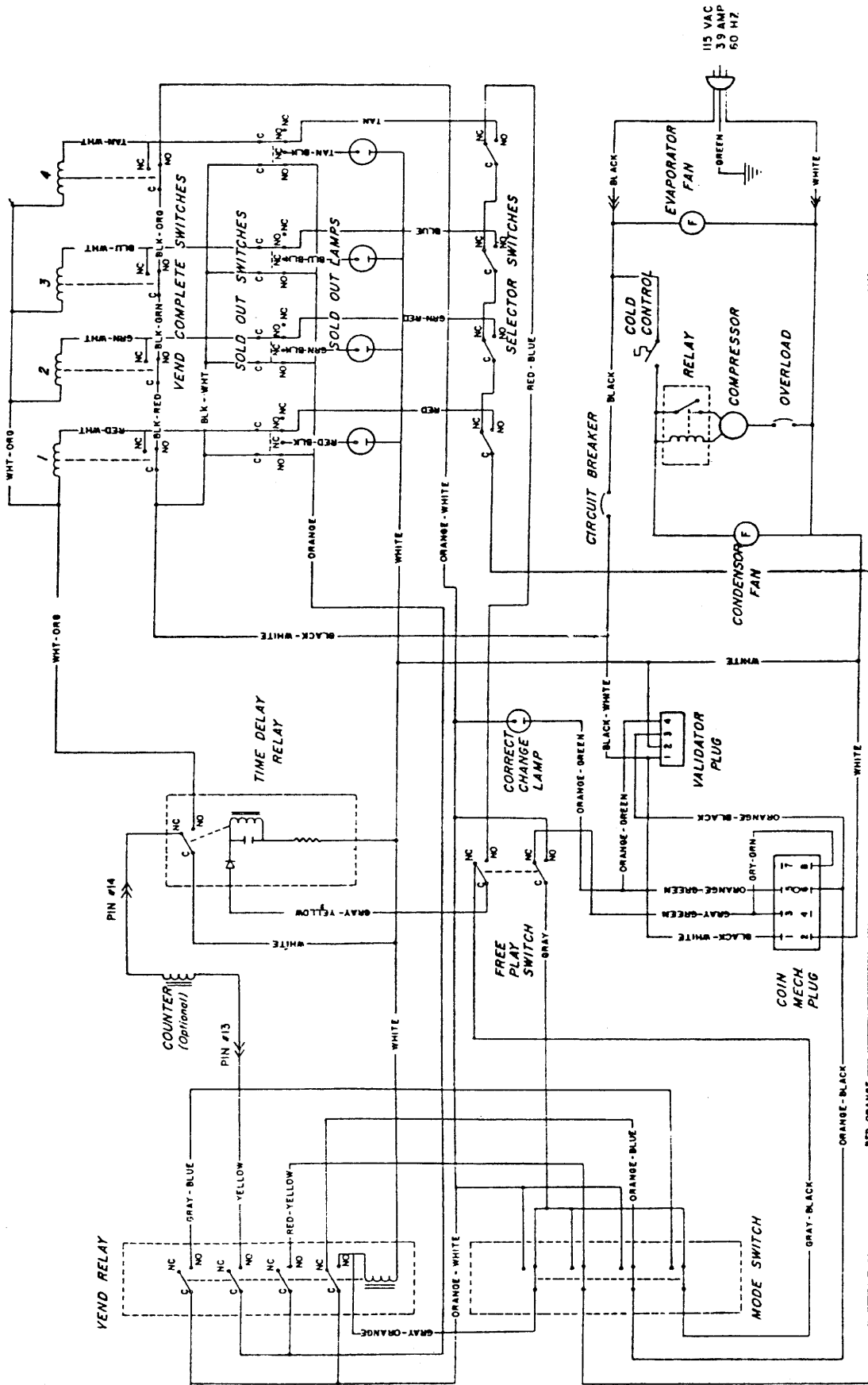
The function of the overload protector is to sense the external temperature of the compressor. If the compressor gets to hot the overload protector will interrupt the electric circuit to the compressor.

6. Starting Relay

The starting relay function is to switch the electrical circuit in the compressor from the start-up winding to the main run winding in unit.

STORAGE AREA

The area in the lower cabinet below the bottom portion of refrigeration system may be used as a storage space provided you do not block the air flow thru the door, past the refrigeration system.



ESCROW TO
 SELECT
 UP
 DOWN
 ESCROW TO
 VEND PRICE
 OR
 NO ESCROW

WIRING DIAGRAM
 Mini-Bank Can Drink
 Mod. No. 3000
 P/N 20863

