

MEI® AE 2800 BILL VALIDATOR



Fewer hassles, more transactions

Ultra low jam rates and easy acceptance make MEI's AE 2800 a user friendly product – one your customers can count on. The unit handles \$1, \$2, \$5, \$10, \$20, \$50 and \$100 bills for more transactions, less customer frustration, and higher profits for operators.

Easy acceptance – up or down, old or new

Due to easy four-way acceptance, AE 2800 is available as an Up- or Down Stacker, customers needn't flip or turn bills prior to inserting them. Plus, Series 2000 models take torn, wrinkled, faded, and even dirty bills. It's easier for people to spend money in MEI bill validators – and that means higher revenues at your retail, vending and amusement operations.

The “In Service” bill validator

Designed for low maintenance, the model's smooth, streamlined bill path has no magnetic pinch rollers to cause debris build-up. Service calls for bill jams and vandalism are rare, and the validator signals users that it's operating correctly.

Time saving setup & compatibility

Series 2000 bill validators feature convenient access to switches and easy-to-read labels. You can customize operation with a single switch configuration coupon.

Retail validator of choice

MEI's EBDS serial interface has revolutionized the bill validator offering to the retail market. With specialized integration tools exclusive to MEI and the ability to remotely download new billsets to the unit, this is the ideal, cost-effective cash choice for your self-service kiosk, automated retail solution or other unattended point of sale terminal.

MEI FLASHPORT® for future flexibility

The AE 2800's re-programmable flash memory enables quick, easy updates of software files such as new currency designs or value coupons.

High-end security & value

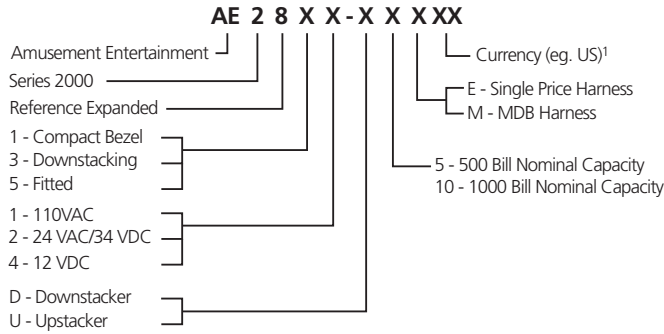
Multi-wavelength optics and sophisticated data processing combine for exceptional security and value. Fully-encased, optical sensors ensure consistent, high-quality recognition – long an MEI hallmark.

MEI's revolutionary application programming interface

Available exclusively to retail customers.

AE 2800 MODEL CONFIGURATION & OPTIONS

AE 2800 Model Configuration Sample



AE 2800 Options/Accessories

Part Number	Description
250066027	Series 2000 Locking Hasp Kit (two per box)
91-16-159-4	Mounting Kit (Metal Door)
01-12-139	Gaming Interface Kit
250072034	RS 232 External Interface Box

AE 2800 Magazine Options

Part Number	Description
250069017	500 Bill Magazine
250068021	700 Bill Magazine
250060086	1000 Bill Magazine (pack 4)

AE 2800 BILL VALIDATOR SPECIFICATIONS

Acceptance Rate

95% or greater for \$1, \$2, \$5, \$10, \$20, \$50 and \$100 U.S. bills²

Bill Insertion

Lengthwise, four way (face up / down, either direction)

Transaction Speed

Approximately 4 seconds (from bill insertion to completed bill-stacking)

Interfaces

MEI Serial Protocol, EADS, MDB and NISR
 Multiple Pulse – Gaming

Power Sources

90 to 135 VAC, 60 Hz or 18 to 28 VAC, 60 Hz,
 22 VDC to 45 VDC or 12 VDC

Power Consumption

Standby: 5 Watts, **Acceptance:** 10 Watts, **Full Stack Max:** 50 Watts

Escrow

One Bill

Shipping Weight

4 pounds

Environment

Operating temperature: -15° C to 60° C

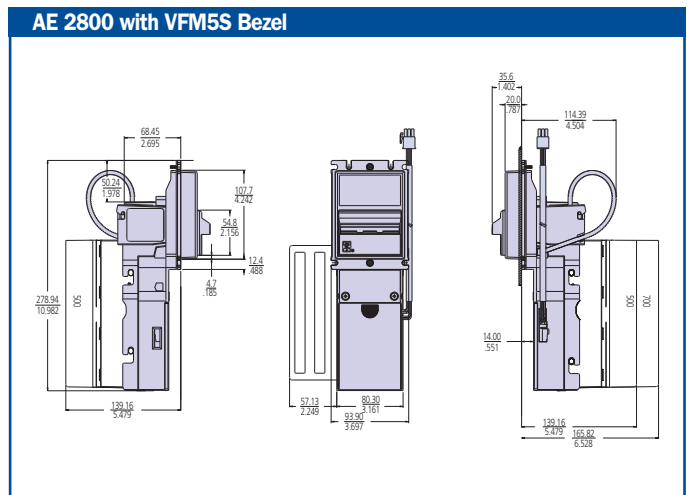
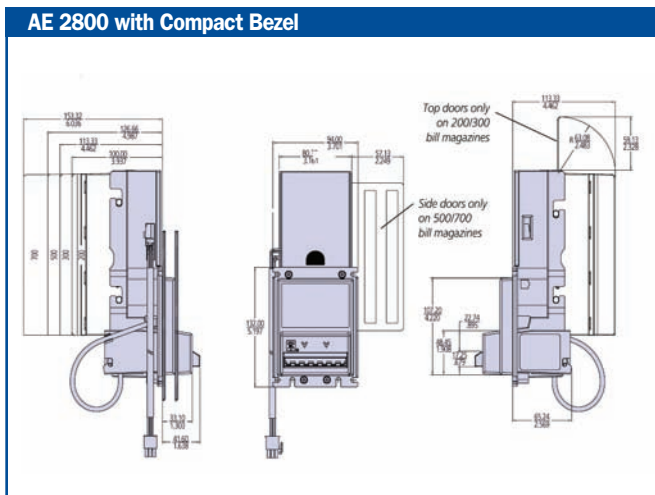
Storage temperature: -40° C to 70° C

Humidity: 5% to 95% Relative Humidity (non-condensing)³

Warranty

2 years

¹ Call MEI for other currency options ² Acceptance at nominal conditions ³ Maximum Relative Humidity of 50% at extreme temperatures



MEI Corporate Headquarters
 1301 Wilson Drive
 West Chester, Pennsylvania 19380
 1-610-430-2700
 1-800-345-8215



The MEI Device and MEI CASHFLOW are trademarks of MEI. Information is subject to change without notice. MEI has made every effort to ensure that the information in this document is accurate. However, we cannot be held responsible for any errors or omissions.

© 2009 MEI. All rights reserved. 4/09



MEI is ISO 9001:2000 Certified