

Hamilton Manufacturing Corporation

1026 Hamilton Dr. Holland, OH 43528 • Phone: 419-867-4858/800-837-5561 • Fax: 419-867-4867 • www.hamiltonmfg.com

Hamilton "PTV" (Programmable Token Vendor) Operational Manual

TABLE OF CONTENTS

I. INTRODUCTION	4
II. OPERATION	5
Parts	6
Wiring & Connections	7
PAYOUT SWITCH ADJUSTMENT	8
LIMITED WARRANTY AGREEMENT	
OF HAMILTON MANUFACTURING CORP.	9

ABOUT THIS MANUAL

This manual will provide the operator with important information about installing and maintaining the Programmable Token Vendor (PTV). General information is provided for the hopper and controller. However, if additional information is needed for these components, please refer to the appropriate manual. To obtain assistance from the manufacturer, please call (800) 837-5561 or (419) 867-4858.

When calling for assistance, it is very important to have serial numbers readily available. Please record these numbers in the spaces provided. It is important to account the serial numbers for each hopper.

PTV Serial # _____

Hopper Serial # _____

Controller Serial # _____

Key/Lock # _____

Please complete the warranty card, which was included with your changer, and return it to the manufacturer.

I. INTRODUCTION

The Hamilton PTV token vendor is a manually operated token dispenser. Tokens are dispensed by an operator using the programmable keypad supplied or through an available software interface.

To dispense the required number of tokens, the operator presses any combination of numbers on the keypad until the desired total is displayed. The tokens are then dispensed by pressing the “vend” key. If a mistake is made, the operator can press the “reset” key to erase the incorrect total and reenter the proper amount.

Models Offered:

PTV	Programmable Token Vendor
PTV - POS	For use with POS systems C-2000 SI v2.10 Controller
PTV III	With resettable internal counter
PTV Foreign PTV III - Foreign	Includes 220/50Hz Transformer 220/50Hz w/resettable internal counter

Key Combinations:

Standard	1 – 4 – 20 – 40 – V – R
Option 1	1 – 5 – 10 – 25 – V – R
Option 2	1 – 10 – 25 – 50 – V – R

Approximate Capacities*:

Size	Capacity
.800	10,000
.882	9,000
.900	9,000
.984	7,500
1.000	7,500
1.125	6,000

*All specifications are subject to change without notice.

II. OPERATION

Operating Procedures

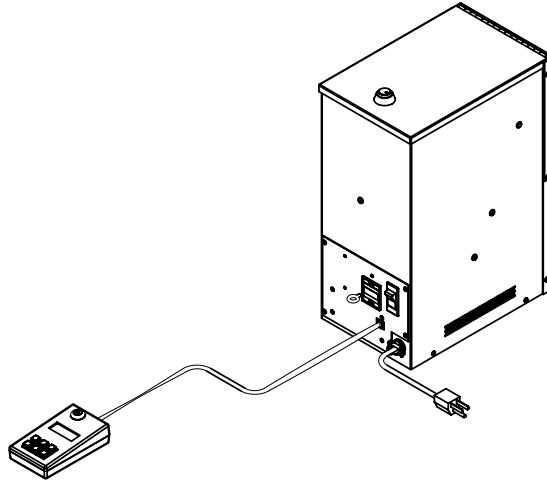
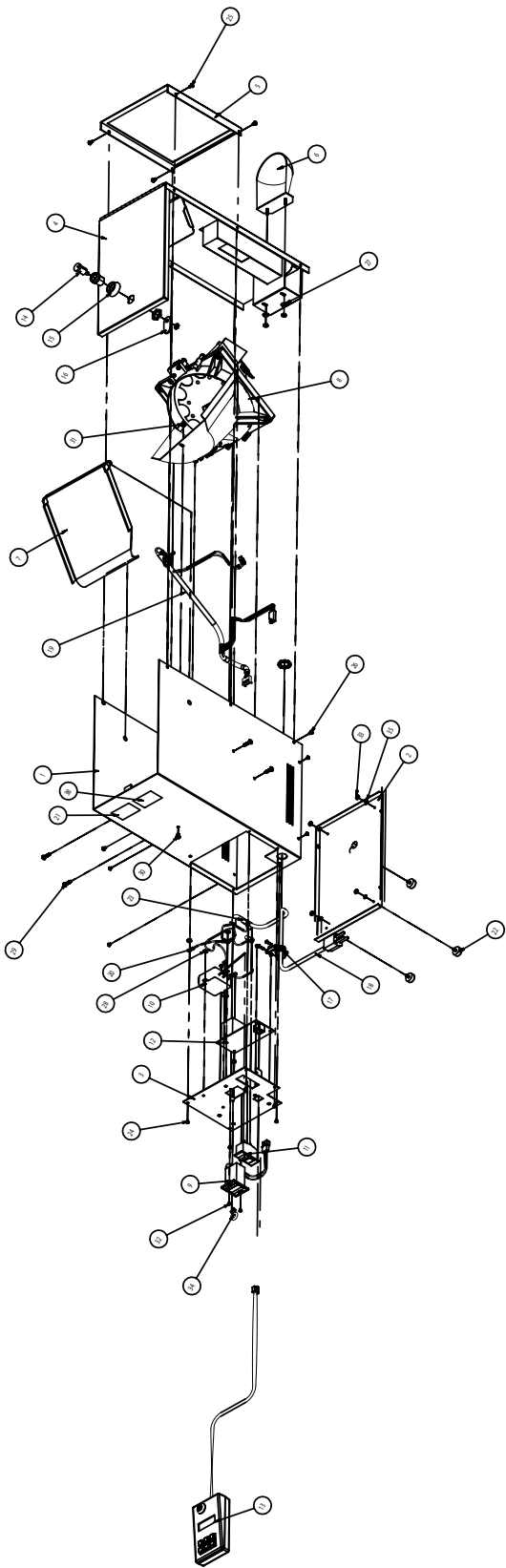
There are four number keys on the remote control unit. Pressing a key will add the labeled number of tokens to the total. For example, pressing the “1” key and the “25” key will allow a total of “26” tokens to be dispensed. You may press any number combination repeatedly to add to the total, such as pressing the “4” key four times to allow a total of “16” tokens to be dispensed.

If a mistake is made in the total of coins you wish to dispense, pressing the “R” (reset) key will bring the total back to zero.

When the total is correct, pressing the “V” (vend) key will dispense the tokens.

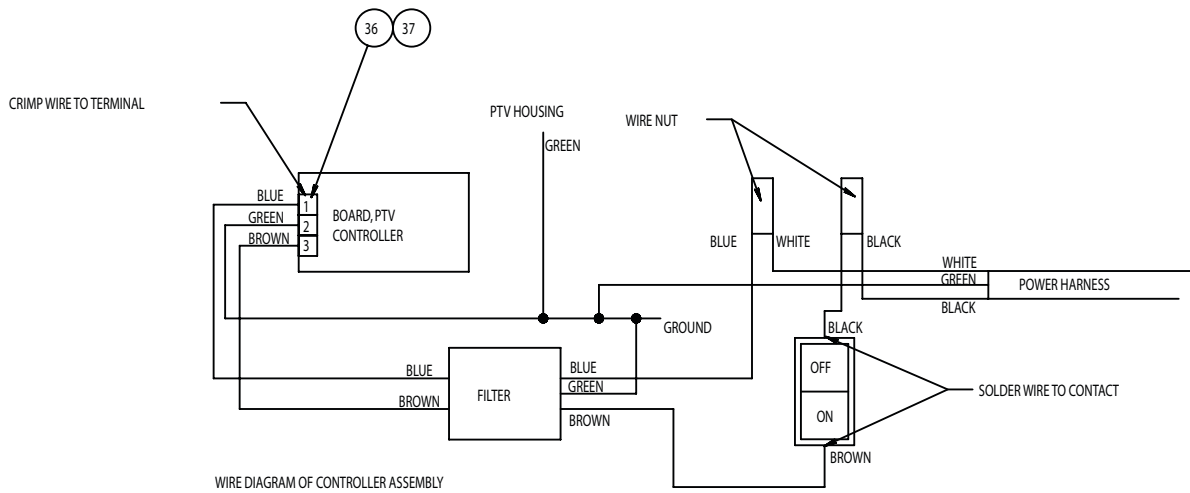
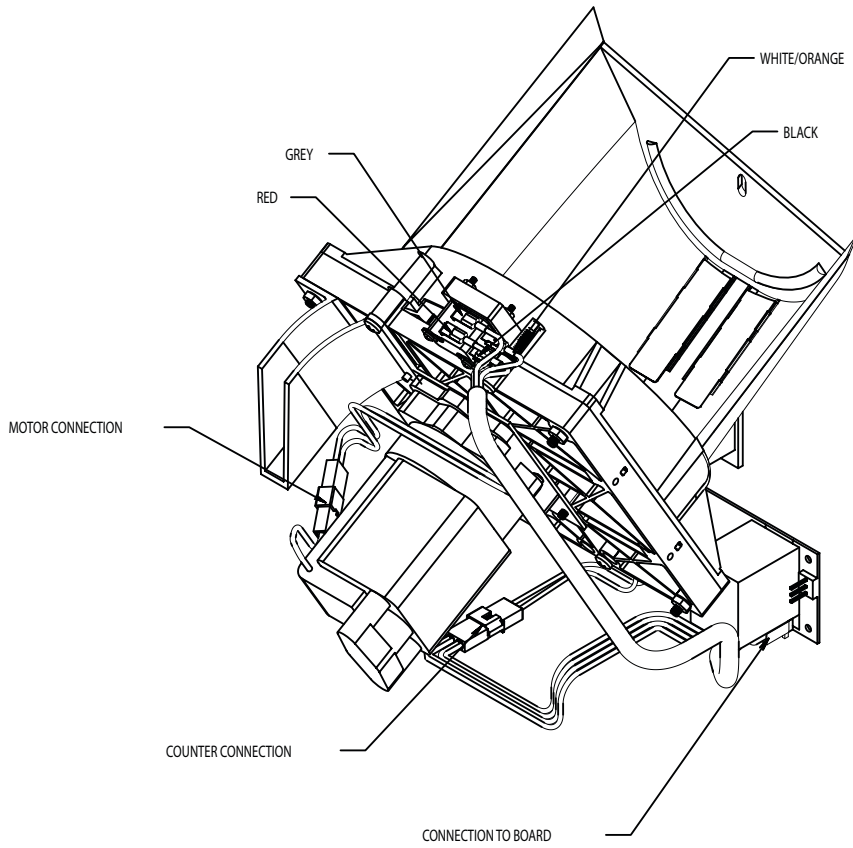
All models of the PTV have a locking cover and a non-resettable counter. The PTV III has an internal resettable counter for management use.

Parts



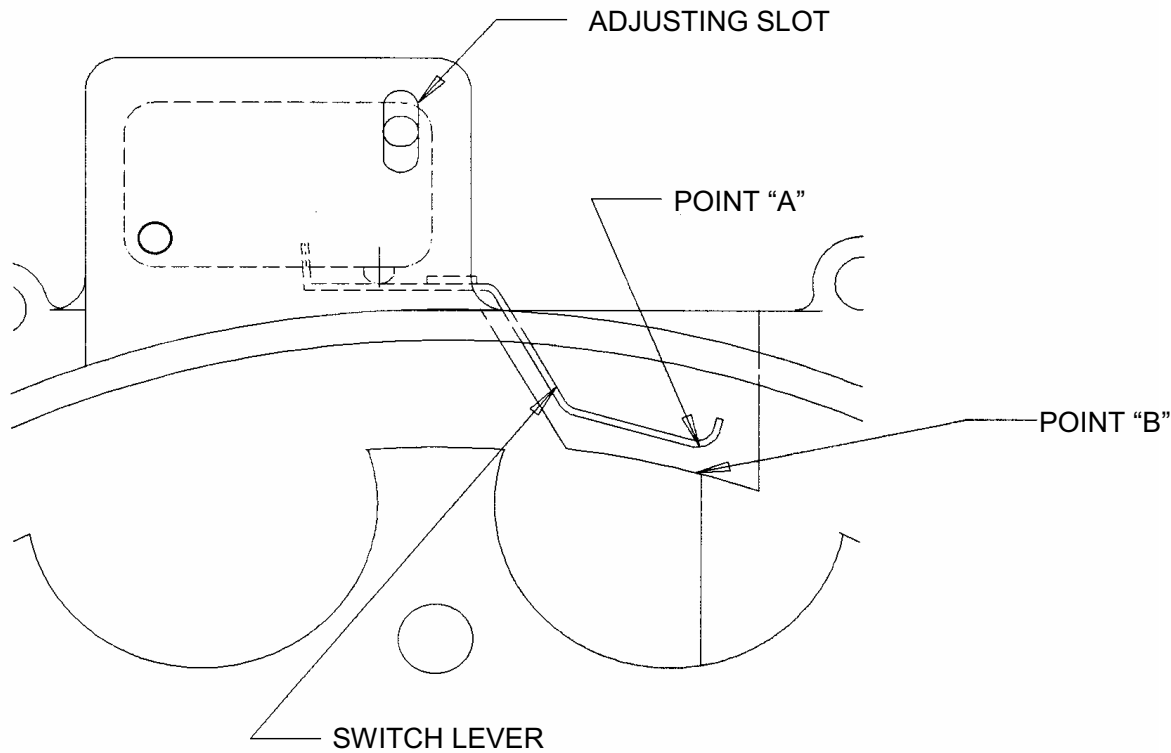
38	96-2054	DECAL, GENERAL INFO STANDARD	
37	46-1095	TERMINAL, 3.98mm (1.561 Pitch Crimp Terminal) 2478MOLEX# 08-52-0106	
36	25-8503	CONNECTOR, FEMALE, 3 PIN (GATEWAY#09-50-8033)	
35	90-0411	WASHER, #8 LOCK - INTERNAL TOOTH, CLEAR ZINC PLATE	
34	90-0613	SCREW, #10-24 X 1.15/16 LG. I-BOLT, CLEAR ZINC PLATE	
33	90-0316	NUT, #8-32 REGULAR HEX, CLEAR ZINC PLATE	
32	90-0221	SCREW, #6-32 X 3/16 LG. COUNTER SINK, CLEAR ZINC PLATE	
31	90-0340	NUT, #10-32 ACORN, NICKEL PLATE	
30	90-0154	SCREW, #10-32 X 3/16 LG. PAN HEAD PHILIPS, CLEAR ZINC PLATE	
29	90-0511	SCREW, #10-16 X 3/4 LG. HI-LOW, CLEAR ZINC PLATE	
28	90-0301	NUT, #10-24 REGULAR HEX, CLEAR ZINC PLATE	1
27	90-0428	WASHER, #10 REGULAR FLAT, CLEAR ZINC PLATE	3
26	90-0142	SCREW, #8-32 X 1/4 LG. PAN HEAD PHILIPS, CLEAR ZINC PLATE	1
25	90-0143	SCREW, #8-32 X 5/16 LG. PAN HEAD PHILIPS, CLEAR ZINC PLATE	1
24	90-0131	SCREW, #6-32 X 3/16 LG. PAN HEAD PHILIPS, CLEAR ZINC PLATE	6
23	47-0200	WIRE NUT, YELLOW	2
22	25-0008	MOUNTING FOOT	1
21	96-2072	DECAL, WARNING KEEP HANDS OUT OF UNIT	1
20	48-0051B	HARNISS, GROUND WIRE	4
19	25-0010	HARNISS, INTERNAL PTV	5
18	47-0217	HARNISS, POWER CORD	2
17	47-0029	CLAMP, CONDUIT	2
16	63-5011	LOCK CAM	4
15	63-5008	LOCK COLLAR	1
14	63-5007	LOCK ASSEMBLY	1
13	25-0002A	KEYPAD, HANDHELD	1
12	25-1202A	BOARD, PTV CONTROLLER	1
11	47-0069	SWITCH, ON/OFF - RED	1
10	47-0067	EMI FILTER	1
9	11-0026B	ASSEMBLY COUNTER SWITCH	1
8	11-0017B	ASSEMBLY COIN BOWL, PTV - QUARTER	1
7	11-0005	BAFFLE, HAMILTON HOPPER	1
6	60-0039	COIN CUP	1
5	61-2457	WINDOW PLATE, PTV COIN DISPENSER	1
4	61-2456	COVER, PTV COIN DISPENSER	1
3	61-2455	CONTROLLER PLATE, PTV DISPENSER	1
2	61-2454	BOTTOM PAN, PTV COIN DISPENSER	1
1	61-2453	WRAPPER, PTV COIN DISPENSER	1
ITEM#	PART#	DESCRIPTION	QTY.
ASSEMBLY, PTV - QUARTER			

Wiring & Connections



PAYOUT SWITCH ADJUSTMENT

PART # 11-0008



1. Remove the Hopper cover and handle.
2. Remove the plastic baffle.
3. Push the switch lever up and down slowly. Notice that the switch clicks twice in each direction (usually very close together).
4. Lift the switch lever up and let it down slowly. When the switch clicks a second time (as the switch moves downward), STOP!
5. Between point "A" and Point "B" there should be 1/16" space for dime Hoppers and 1/8" space for all other Hoppers.* When the actuator is let go and comes to a rest, Point "A" must contact Point "B". No other part of the switch actuator may contact the plastic.** If the switch is out of adjustment, continue to steps 6 and 7 and then readjust the switch by following steps 3 through 5. After the switch is readjusted, continue with steps 8 and 9†.
6. Loosen the switch mounting screws.
7. Push the payout switch upward into the adjusting slot.
8. Tighten the switch and recheck the adjustment.
9. Reassemble the Hopper.

*2-20-98: The procedure formerly stated that 1/16" spacing was to be used for ALL Hoppers.

**3-5-98: Added section about rest position.

†12-15-98: Added section for checking adjustment before adjusting the switch.

LIMITED WARRANTY AGREEMENT OF HAMILTON MANUFACTURING CORP.

Hamilton Manufacturing Corp., an Ohio Corporation, (“Seller”) warrants to Purchaser that all new equipment shall be free from defects in material and factory workmanship for a period of one (1) year from the original shipping date. Hamilton Manufacturing Corp. further warrants if any part of said new equipment in Seller’s sole opinion, requires replacement or repair due to a defect in material or factory workmanship during said period, Seller will repair or replace said new equipment. Purchaser’s remedies and the liabilities and obligations of Seller herein shall be limited to repair or replacement of the equipment as Seller may choose, and Seller’s obligation to remedy such defects shall not exceed the Purchaser’s original cost for the equipment. Purchaser EXPRESSLY AGREES this is the EXCLUSIVE REMEDY under this warranty. There are no other express or implied warranties which extend beyond the face hereof. All warranty repair service must be performed by either a Factory Trained Service Representative or **HAMILTON MANUFACTURING CORP., 1026 Hamilton Drive, Holland, Ohio 43528 PHONE (419) 867-4858 or (800) 837-5561, FAX (419) 867-4867.**

The limited warranty for new equipment is conditioned upon the following:

1. The subject equipment has not, in the Seller’s sole opinion, been subjected to: accident, abuse, misuse, vandalism, civil disobedience, riots, acts of God, natural disaster, acts of war or terrorism.
2. The Seller shall not be liable for any expense incurred by Purchaser incidental to the repair or replacement of equipment and Purchaser shall assume full responsibility for any freight or shipping charges.
3. The coverage of this warranty shall not extend to expendable parts.
4. Purchaser shall have a warranty registration card on file with Seller prior to any claim in order for warranty protection to apply.
5. No warranty coverage is applicable to any equipment used for currency other than that specified at the time of the purchase.
6. Seller expressly disclaims any warranty that counterfeit currency will not activate said equipment.
7. Seller expressly disclaims any warranty for any losses due to bill manipulation or theft or loss of cash under any circumstances.
8. Use of the equipment for anything other than its intended and designed use will void the Limited Warranty Agreement. Use of equipment for anything other than its intended and designed use includes, but is not limited to, downloading software/applications not certified by Seller such as e-mail, spyware, screen savers, viruses, worms, third party software, web search engines, cookies, spam, desktop applications, games, web surfing, etc.

Seller further warrants all repair or service work performed by a factory trained representative or Hamilton Manufacturing Corp. for a period of ninety (90) days from the date the repair or service work was performed. Purchaser’s remedies and the liabilities and obligations of Seller herein shall be limited to repair or replacement of equipment as Seller may choose, and Seller’s obligation to remedy such defects shall not exceed the Purchaser’s depreciated value of the equipment. Purchaser EXPRESSLY AGREES this is an EXCLUSIVE REMEDY under this warranty. There are no other express or implied warranties on repair or service work performed by a factory trained representative or Hamilton Manufacturing Corp. which extend beyond the face hereof.

The limited warranty for repair and service work is conditioned upon the following:

1. The subject equipment has not, in the Seller's sole opinion, been subjected to: accident, abuse, misuse, vandalism, civil disobedience, riots, acts of God, natural disaster, acts of war or terrorism.
2. The Seller shall not be liable for any expense incurred by Purchaser incidental to the repair or replacement of equipment and Purchaser shall assume full responsibility for any freight or shipping charges.
3. The coverage of this warranty shall not extend to expendable parts.
4. Purchaser shall have a warranty registration card on file with Seller prior to any claim in order for warranty protection to apply.
5. No warranty coverage is applicable to any equipment used for currency other than that specified at the time of the purchase.
6. Seller expressly disclaims any warranty that counterfeit currency will not activate said equipment.
7. Seller expressly disclaims any warranty for any losses due to bill manipulation or theft or loss of cash under any circumstances.
8. No person or entity other than a factory trained representative or Hamilton Manufacturing Corp. has performed or attempted to perform the subject repair or service.
9. Using equipment which has been serviced or repaired for anything other than its intended or designed use such as downloading software applications not certified by Seller will void the Limited Warranty Agreement. This includes software/applications such as e-mail, spyware, screen savers, viruses, worms, third party software, web search engines, cookies, spam, desktop applications, games, web surfing, etc.

THIS AGREEMENT IS MADE WITH THE EXPRESS UNDERSTANDING THAT THERE ARE NO IMPLIED WARRANTIES THAT THE EQUIPMENT SHALL BE MERCHANTABLE, OR THAT THE GOODS SHALL BE FIT FOR ANY PARTICULAR PURPOSE. PURCHASER HEREBY ACKNOWLEDGES THAT IT IS NOT RELYING ON THE SELLER'S SKILL OR JUDGMENT TO SELECT OR FURNISH EQUIPMENT SUITABLE FOR ANY PARTICULAR PURPOSE AND THAT THERE ARE NO WARRANTIES WHICH EXTEND BEYOND THAT WHICH IS DESCRIBED HEREIN.

The Purchaser agrees that in no event will the Seller be liable for direct, indirect, or consequential damages or for injury resulting from any defective or non-conforming new, repaired or serviced equipment, or for any loss, damage or expense of any kind, including loss of profits, business interruption, loss of business information or other pecuniary loss arising in connection with this Limited Warranty Agreement, or with the use of, or inability to use the subject equipment regardless of Sellers knowledge of the possibility of the same.

Hamilton Manufacturing Corporation

1026 Hamilton Drive
Holland, OH 43528

Sales Phone: (888) 723-4858 **Sales Fax:** (419) 867-4850
Customer Service Phone: (800) 837-5561 **Customer Service Fax:** (419) 867-4857
Parts Phone: (866) 835-1721 **Parts Fax:** (419) 867-4867

Website: <http://www.hamiltonmfg.com>

Email Addresses:

service@hamiltonmfg.com
sales@hamiltonmfg.com
parts@hamiltonmfg.com
info@hamiltonmfg.com