

Hamilton Manufacturing Corp.

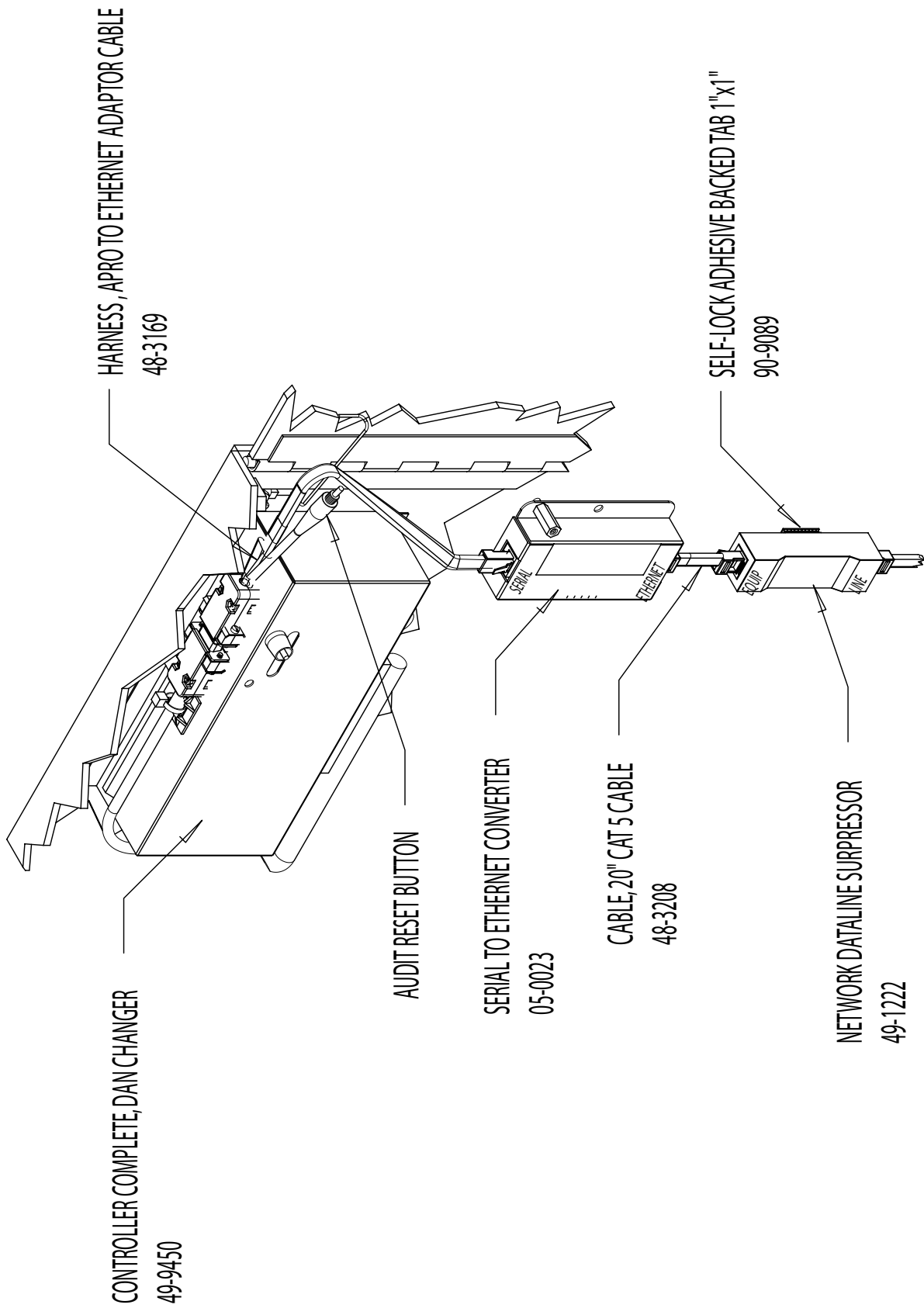
1026 Hamilton Dr., Holland, OH 43528 • Phone: 419-867-4858 / 800-837-5561 • Fax: 419-867-4857 • www.hamiltonmfg.com

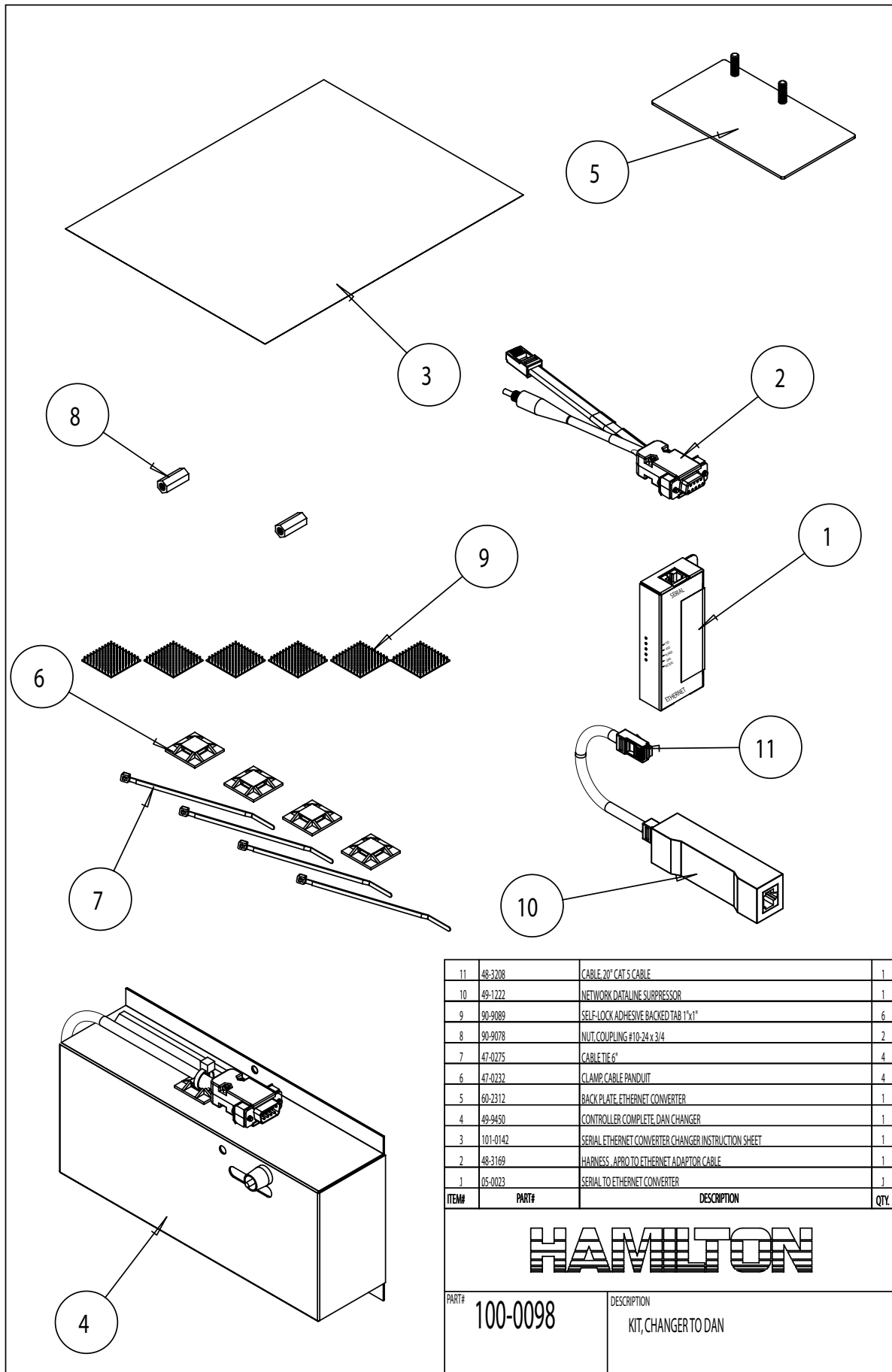
DATA ACCESS NETWORK SITE CONTROLLER CHANGER KIT

KIT #100-0098

1. Turn off power to machine at source and unplug machine.
2. Have Ethernet cable run into the machine. (For this installation you may have to drill hole into the cabinet depending on configuration and mounting)
3. Unplug main harness from Controller.
4. Remove Controller Stud (90-9078) holding Controller.
5. Remove Controller.
6. Replace with D.A.N. Changer Controller (DCCvX.XX 49-9450).
7. Replace Controller Stud (90-9078).
8. Reconnect main harness.
9. Mount Serial to Ethernet Converter (05-0023).
 - If an available stud is close enough that the D.A.N. Changer Controller (49-9450) to use the Apro to Ethernet Adaptor Harness (48-3169), the Led holes are visible and it will not interfere with Changer operation. This is recommended. Mount using Coupling Nut (90-9078) or correct size nut.
 - If there are no convenient studs.
 - A. Mount Serial to Ethernet Converter (05-0023) to Ethernet Converter Back Plate (60-2312) using two Coupling Nuts (90-9078).
 - B. Attach one of the Self-Locking Adhesive Backed Tabs to the Right and left sides of the Ethernet Converter Back Plate (60-2312).
 - C. Attach the two remaining Self-Locking Adhesive Backed Tabs to the two that are stuck to the Ethernet Converter Back Plate (60-2312) Decide on a convenient position and remove masking and stick assembly in place.
10. Connect the DB-9 harness extension from the D.A.N. Changer Controller (49-9450) to the DB-9 of the Apro to Ethernet Adaptor Harness (48-3169). Connect the RJ-45 connector into the SERIAL port of the Ethernet Converter (05-0023).
11. Using Cable Panduit (47-0232) and Cable Ties (47-0275) position the Apro to Ethernet Adaptor Harness (48-3169) so that the button is in a convenient location.
12. Attach the Network Dataline Suppressor (49-1222) to the cabinet close to the Serial to Ethernet Converter (05-0023) using the two Self-Locking Adhesive Backed Tabs (90-9089).
13. Attach the ground wire to any convenient cabinet stud.
14. Connect the Ethernet port of the Serial to Ethernet Converter (05-0023) to the Network Dataline Suppressor (49-1222) by connecting the supplied Ethernet cable into the EQUIP side of the Dataline Suppressor (49-1222).
15. Connect the Network Dataline Suppressor (49-1222) to the network by connecting the Ethernet cable (Cat 5) into the LINE side of the Dataline Suppressor (49-1222).

13. Disconnect Apro to Ethernet Adaptor Harness (48-3169) from the D.A.N. Changer Controller (49-9450) and plug in Handheld.
14. Restore power to machine.
15. Program controller (Refer to DAN Access network Installation and Setup Instructions (document # 101-0129) Pages 31-34)
16. Turn off power to machine.
17. Disconnect Handheld and connect the Apro to Ethernet Adaptor Harness (48-3169) to the D.A.N. Changer Controller (49-9450) and tighten studs.
18. Restore power to machine.





11	48-3208	CABLE, 20' CAT 5 CABLE	1
10	49-1222	NETWORK DATA LINE SUPPRESSOR	1
9	90-9089	SELF-LOCK ADHESIVE BACKED TAB 1"x1"	6
8	90-9078	NUT, COUPLING #10-24 x 3/4	2
7	47-0275	CABLE TIE 6"	4
6	47-0232	CLAMP, CABLE PANDUIT	4
5	60-2312	BACK PLATE, ETHERNET CONVERTER	1
4	49-9450	CONTROLLER COMPLETE, DAN CHANGER	1
3	101-0142	SERIAL ETHERNET CONVERTER CHANGER INSTRUCTION SHEET	1
2	48-3169	HARNES, APRO TO ETHERNET ADAPTOR CABLE	1
1	05-0023	SERIAL TO ETHERNET CONVERTER	1
ITEM#	PART#	DESCRIPTION	QTY.

HAMILTON

PART#
100-0098

DESCRIPTION
KIT, CHANGER TO DAN