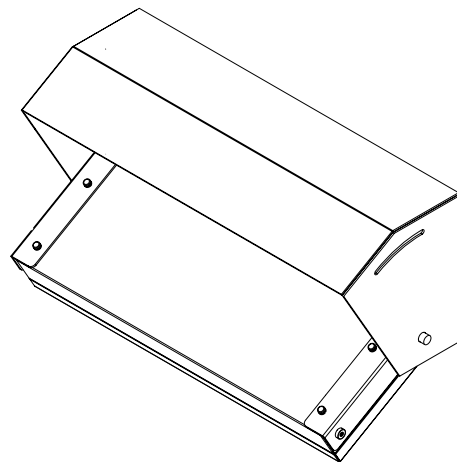
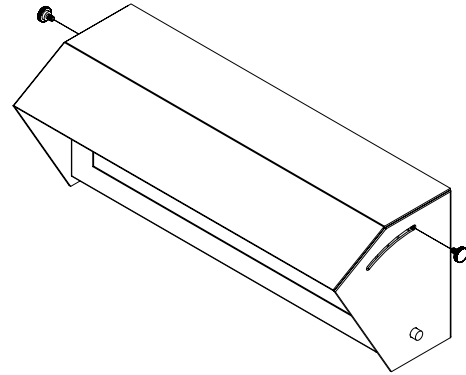
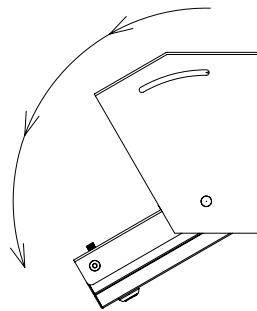


Hamilton Manufacturing Corporation

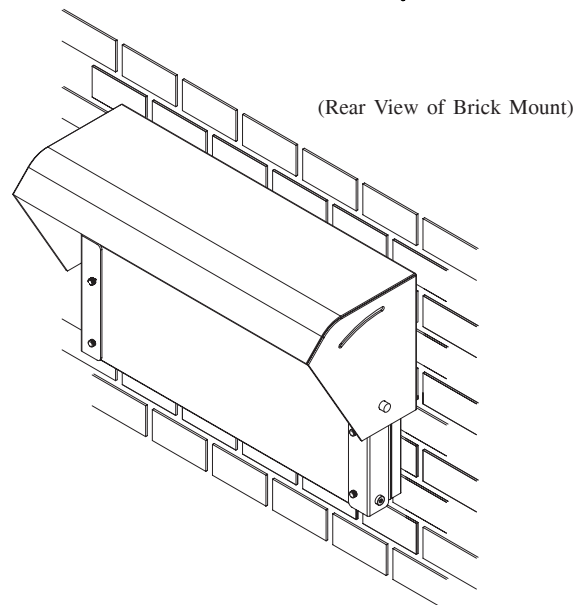
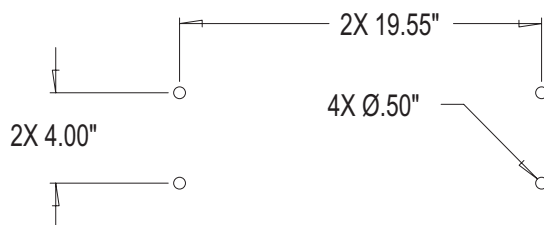
1026 Hamilton Dr. Holland, OH 43528 • Phone: 419-867-4858/800-837-5561 • Fax: 419-867-4857 • www.hamiltonmfg.com

BRICK MOUNT DISPLAY WITH HOOD PART #61-0594E INSTALLATION INSTRUCTIONS

1. Remove thumbscrews and rotate display 180 degrees. Punch out knockouts for mounting and the larger knockouts for the communication harness where desired.

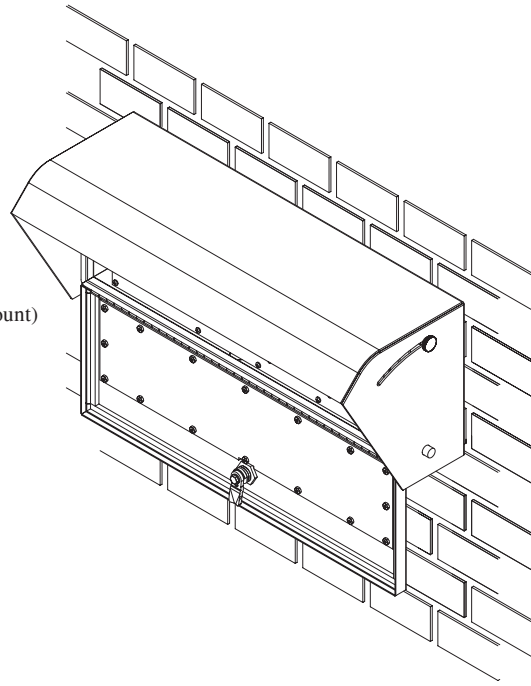


2. Mount the hood and display securely to the wall with the desired hardware and at the same time feed the harness through one of the larger knockouts previously punched out.

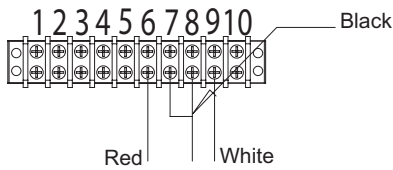


3. Rotate the display back to its original position and remount thumbscrews.

(Rotated & Opened View of Brick Mount)



4. Connect communication harness to the terminal strip as shown below.



5. Lay a bead of silicon around the back edge where the hood meets the wall so that moisture will not be able to protrude behind the hood, as shown all the way around.

Silicon

