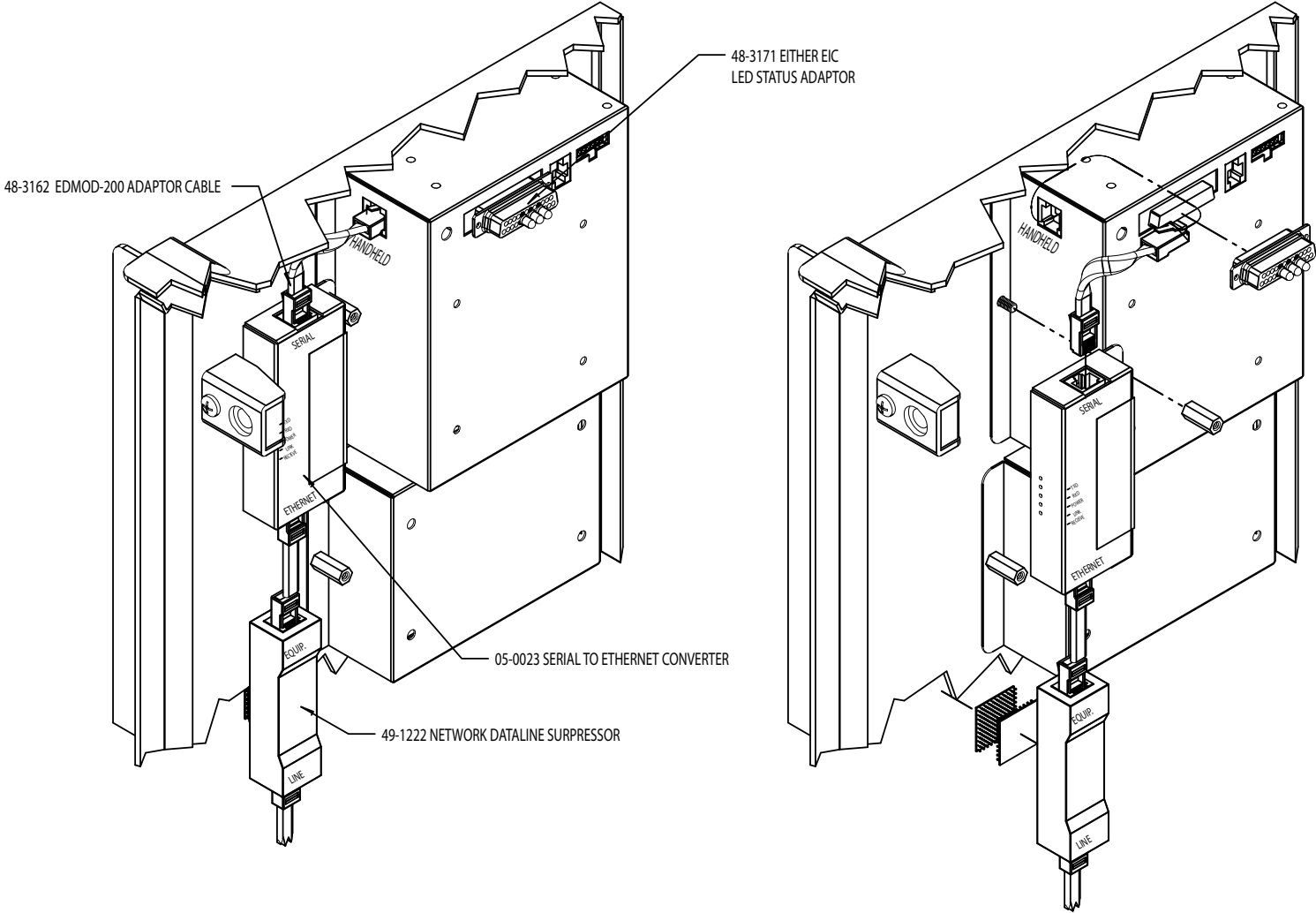


# Hamilton Manufacturing Corp.

1026 Hamilton Dr., Holland, OH 43528 • Phone: 419-867-4858/800-837-5561 • Fax: 419-867-4857 • www.hamiltonmfg.com

## SERIAL ETHERNET CONVERTER INSTRUCTIONS (PART #100-0088)

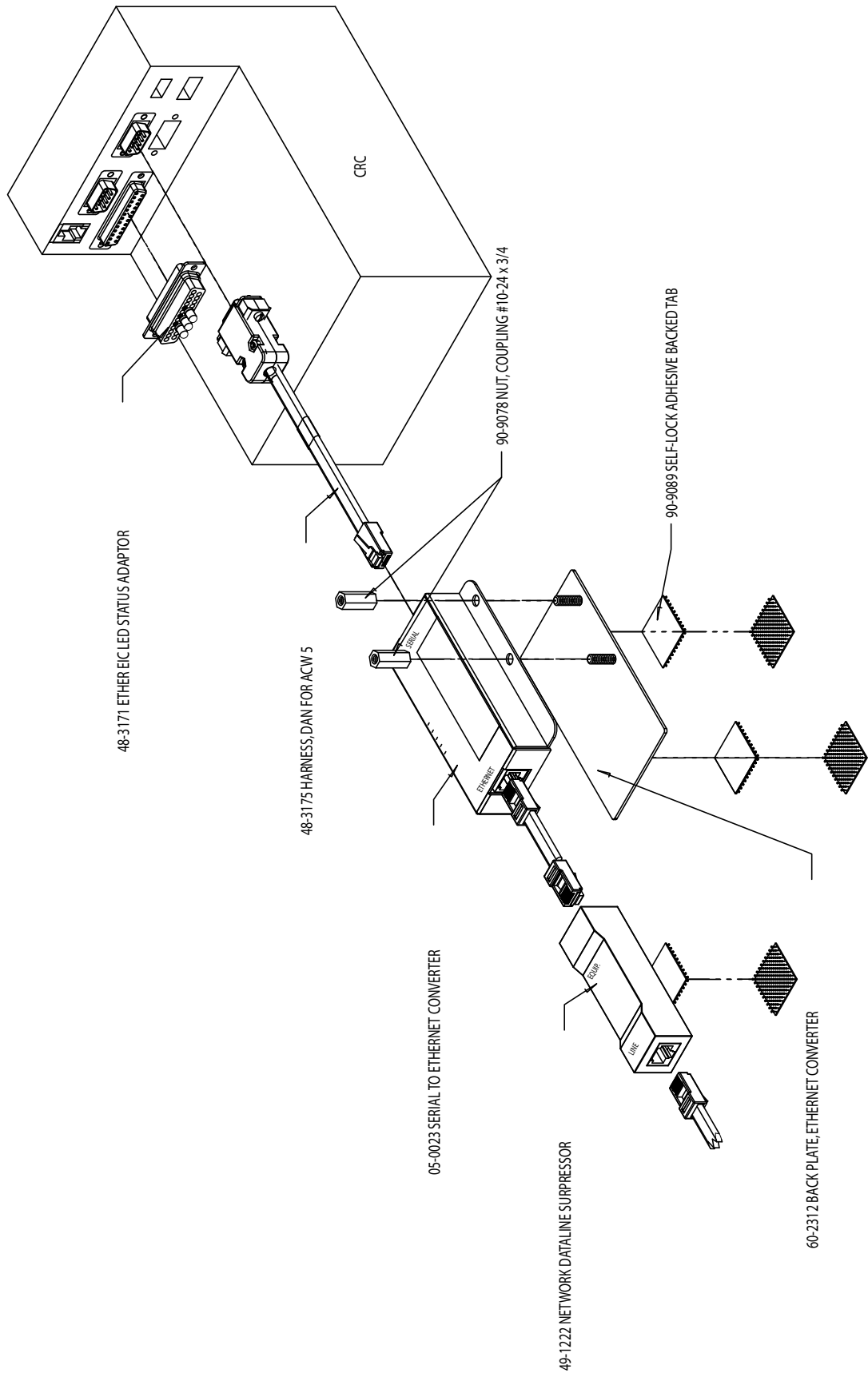


## For Gold Line® Autocashiers

1. **Before removing phone line, call Hamilton technical support at (800.837.5561) to have the EIC software updated to work with the Data Access Network.**

**Before removing the phone line make sure all pending transactions have been posted.**

2. Have an Ethernet cable run into the machine.
3. Turn off power to the Gold Line®.
4. Plug in hand-held cable (48-3053 Not shown) into the Handheld port on the EIC. Then plug in hand-held (49-2010 Not shown).
5. Restore power to Gold Line®.
6. Program EIC (Refer to Data Access Network Installation and Setup Instructions (document #101-1029, pages 31-32 for switching to the Ethernet program and pages 35-38 for programming).
7. Turn off power to the Gold Line®.
8. Disconnect hand-held and hand-held cable from the EIC.
9. Remove the Coupling Nut(90-9078) mounting the EIC.
10. Place the Serial to Ethernet Converter (05-0023) box over stud (Serial text up) and tighten using the Coupling Nut (90-9078).
11. Connect the Serial port to the Handheld port on the EIC using the EDMOD-200 cable (48-3162).
12. Attach the Network Dataline Suppressor (49-1222) to the cabinet (below) the Serial to Ethernet Converter (05-0023) using the two Self-Locking Adhesive Backed Tabs (90-9089).
13. Attach the ground wire using the Power Supply Coupling Nut (90-9078).
14. Connect the Ethernet port of the Serial to Ethernet Converter (05-0023) to the Network Dataline Suppressor (49-1222)by connecting the supplied ethernet cable into the EQUIP side of the Dataline Suppressor (49-1222).
15. Connect the Network Dataline Suppressor (49-1222) to the network by connecting the Ethernet cable (CAT 5) into the LINE side of the Dataline Suppressor (49-1222).
16. Plug in Ether Led Status Adaptor (48-3171) to the 25 pin connector on the EIC.
17. Restore power to the Gold Line®.
18. The 3 lights on the Ether Led Status Adaptor (48-3171) should come on and stay on, this indicates that the machine is connected to the D.A.N.

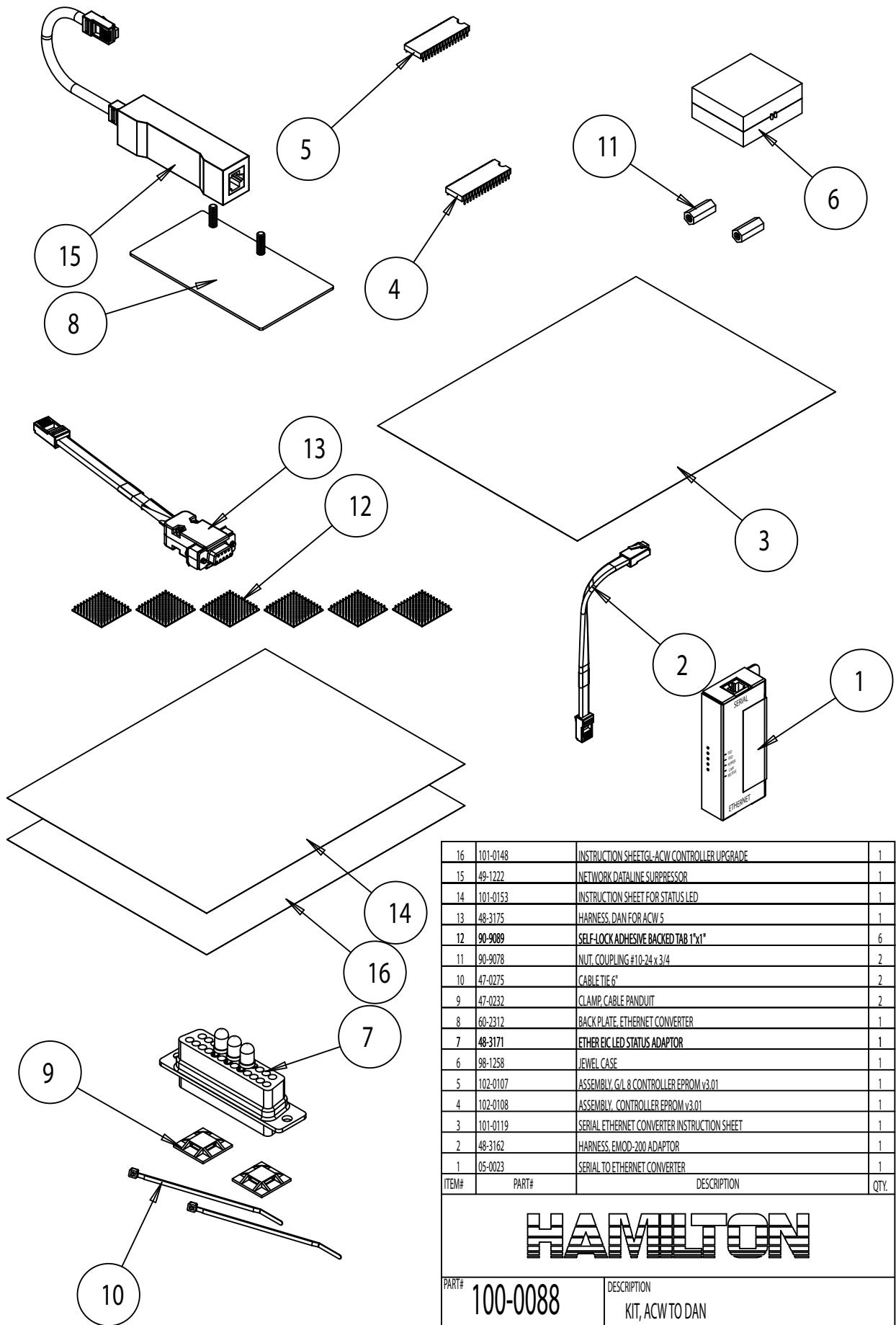


## For ACW 4 and 5 Model Autocashiers

1. **Before removing phone line, call Hamilton technical support at (800.837.5561) to have the CRC software updated to work with the Data Access Network**

**Before removing the phone line make sure all pending transactions have been posted.**

2. Have an Ethernet cable run into machine. (Note: You may have to drill a hole in the cabinet depending on configuration and mounting)
3. Turn off power to machine at the source and unplug CRC power supply from outlet.
4. Plug in the hand-held cable (48-2111A (Not shown) into the connector on the CRC box and then plug in hand-held (49-2010 (Not shown)).
5. Restore power to machine and plug power supply for CRC back into outlet.
6. Program CRC (Refer to Data Access Network Installation and Setup Instructions (document #101-1029, pages 33-34 for switching to the Ethernet program and pages 39-42 for programming)
7. Unplug CRC power supply from outlet.
8. Disconnect hand-held and hand-held cable from the CRC box
9. Plug in the ACW harness(48-3175) for the D.A.N into the Hand-held connector on the CRC box.
10. Plug in the other end of the ACW harness (48-3175) for the D.A.N. into the Serial to Ethernet Converter (05-0023) Serial side.
11. Mount Serial to Ethernet Converter (05-0023)
  - A. Mount Serial to Ethernet Converter (05-0023) to the Ethernet Converter Back Plate (60-2312) using the two Coupling Nuts (90-9078).
  - B. Attach one of the Self-Locking Adhesive Backed Tabs (90-9089) to the right and left sides of the Ethernet Converter Back Plate (60-2312).
  - C. Attach the two remaining Self-Locking Backed Tabs to the two that are stuck to the Ethernet Converter Back Plate (60-2312). Decide on a convenient position and remove masking and stick assembly in place.
12. Attach Network Dataline Suppressor (49-1222) to cabinet using the two Self-Locking Adhesive Backed Tabs (90-9089).
13. Attach ground wire in a convenient location.
14. Connect the Ethernet port of the Serial to Ethernet Converter (05-0023) to the Network Dataline Suppressor (49-1222) by connecting the supplied ethernet cable into the EQUIP side of the Dataline Suppressor (49-1222).
15. Connect the Network Dataline Suppressor (49-1222) to the network by connecting the Ethernet cable (CAT 5) into the LINE side of the Dataline Suppressor (49-1222).
16. Plug in Ether Led Status Adaptor (48-3171) to the 25 pin printer connector on the CRC box.
17. Restore power to machine and plug CRC power supply back into outlet.
18. The 3 lights on the Ether Led Status Adaptor (48-3171) should come on and stay on, this indicates that the machine is connected to the D.A.N.



16	101-0148	INSTRUCTION SHEET(G)-ACW CONTROLLER UPGRADE	1
15	49-1222	NETWORK DATALINE SUPPRESSOR	1
14	101-0153	INSTRUCTION SHEET FOR STATUS LED	1
13	48-3175	HARNESS, DAN FOR ACW 5	1
12	90-9089	SELF-LOCK ADHESIVE BACKED TAB 1"x1"	6
11	90-9078	NUT, COUPLING #10-24,x3/4	2
10	47-0275	CABLE TIE 6"	2
9	47-0232	CLAMP, CABLE PANDUIT	2
8	60-2312	BACK PLATE, ETHERNET CONVERTER	1
7	48-3171	ETHER EIC LED STATUS ADAPTOR	1
6	98-1258	JEWEL CASE	1
5	102-0107	ASSEMBLY, GIL 8 CONTROLLER EPROM v3.01	1
4	102-0108	ASSEMBLY, CONTROLLER EPROM v3.01	1
3	101-0119	SERIAL ETHERNET CONVERTER INSTRUCTION SHEET	1
2	48-3162	HARNESS, EMOD-200 ADAPTOR	1
1	05-0023	SERIAL TO ETHERNET CONVERTER	1
ITEM#	PART#	DESCRIPTION	QTY.

# HAMILTON

PART#	100-0088	DESCRIPTION	KIT, ACW TO DAN
-------	----------	-------------	-----------------