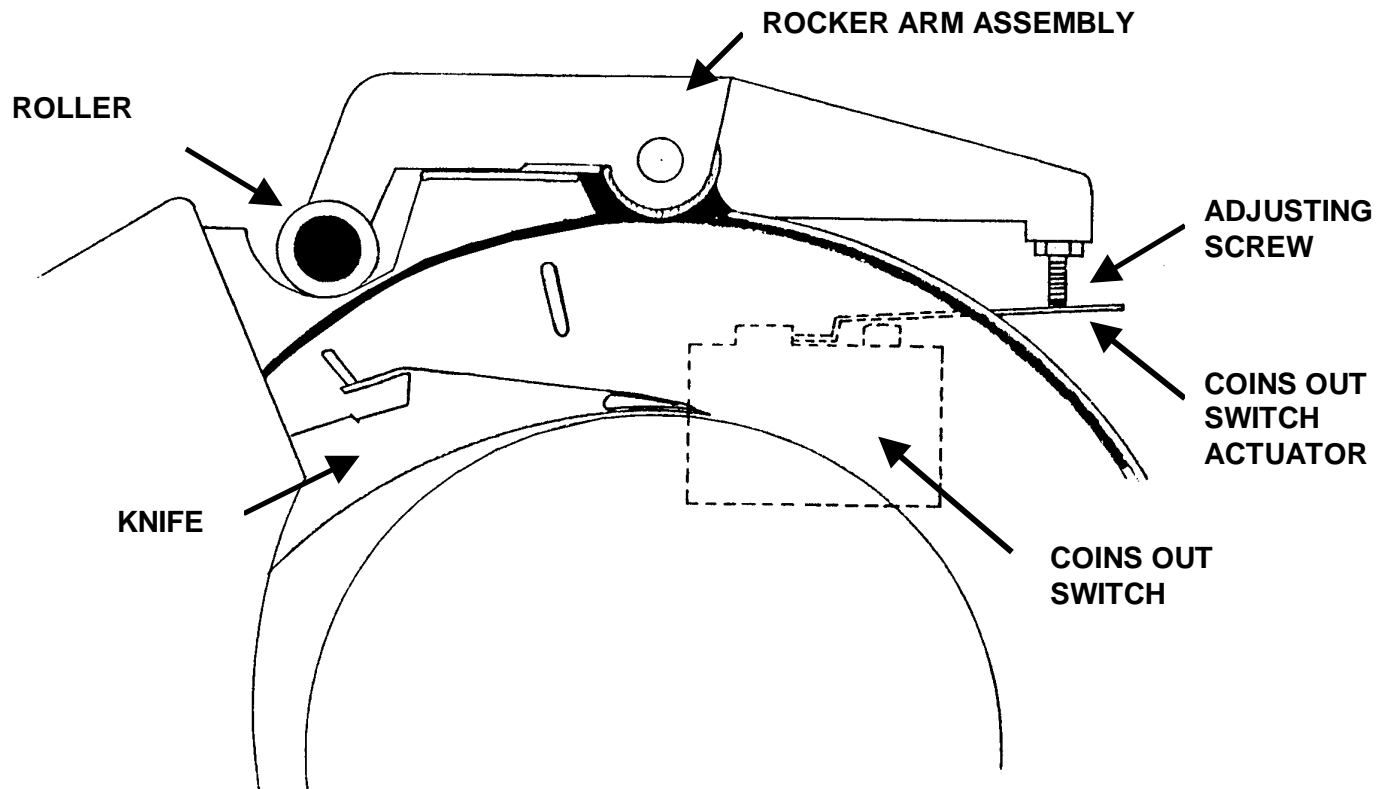


Hamilton Manufacturing Corporation

1026 Hamilton Dr. Holland, OH 43528 • Phone: 419-867-4858/800-837-5561 • Fax: 419-867-4867 • www.hamiltonmfg.com

HGP PAYOUT SWITCH ADJUSTMENT

PART # 10-0003



1. Without placing a coin under the **ROLLER** of the **ROCKER ARM ASSEMBLY**, move the **COINS OUT SWITCH ACTUATOR** downward. You will hear two clicks.
2. After the second click, move the **COINS OUT SWITCH ACTUATOR** upward. Again, you will hear two clicks. After the second click, **STOP**.
3. There should be $1/16$ of an inch between the top surface of the **COINS OUT SWITCH ACTUATOR** and the bottom of the **ADJUSTING SCREW**. If not, you will need to make an adjustment.
4. To adjust the **PAYOUT SWITCH**, use a screwdriver to turn the **ADJUSTING SCREW** to achieve a measurement of $1/16$ ". Once the screw is in position, use a wrench to tighten the nut on the bottom side of the screw head.