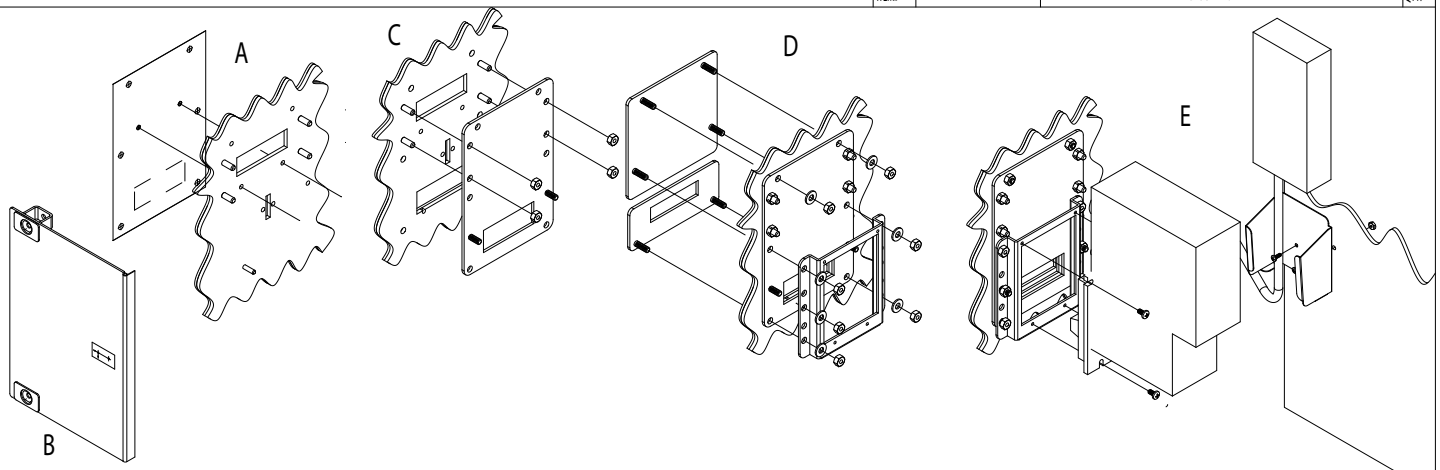


NOTE--
1.0 IF THE CONTROLLER IS NOT A C2000
MODEL IT WILL HAVE TO BE REPLACED
WITH PRT# 49-2000A

ITEM#	PART#	DESCRIPTION	QTY.
19	90-0321	NUT, #8 NYLON	6
18	90-0517	BALL STUD, #8-32 x 5/8	6
17	63-5102-01	LEXAN GRAPHICS ASSEMBLY, ER-60 RETROFIT	1
16	103-0003	EPROM, PROGRAM C2000 v2.0	1
15	90-0129	SCREW, #6-32 x 3/8	2
14	60-2057	POWER PACK HOLDER	1
13	90-0308	NUT, #6-32	2
12	48-3011	HARNNESS, IN-LINE COINCO ADAPTOR	1
11	90-0144	SCREW, #8-32 x 5/8	4
10	46-0168	VALIDATOR, COINCO (120V)	
9	90-0331	NUT, #1/4-20	12
8	90-0403	WASHER, #1/4 INTERNAL LOCK	12
7	60-2051	U-CHANNEL	1
6	60-0383	RETROFIT, BACK PLATE	1
5	96-2050	TEMPLATE, RETROFIT, ER-60	1
4	101-0056	INTRUCTIONS, RETROFIT, ER-60 COINCO & PANEL	1
3	60-2200	FACE PLATE, RETROFIT, ER-60	1
2	96-0173	RETROFIT DOLLAR DECAL SET	1
1	60-2201	COVER PLATE, RETROFIT, ER-60	1

WILL WORK ONLY WITH
COINCO
MODEL # MAG50BAB
(NOT PROVIDED)



1. Turn off power to the machine at the source.
2. Remove validator, controller, stacker, stacker brackets, power box and harness from the machine. Be sure to then plug in the stacker bypass plug.
3. Remove ball studs, lexan panel, and validator face plate.
4. Align template with the bottom two face plate mounting holes on the face of the machine.(A)
5. Mark and drill the six mounting holes (marked "A") through the face of the cabinet, using a 3/8" bit.
6. Mark and cut validator opening in the cabinet.
7. Position door template as specified, mark and drill 2 holes using a 3/16" bit.(B)
8. Attach new lexan panel using ball studs, and nylon nuts. Mount back plate using the top 4 validator mounting studs. (C)
9. Mount the face plate, cover plate and u-channel through the lexan, cabinet face, and the back plate and tighten. (D)
10. Mount the power pack holder on the back door of the cabinet.
11. Attach the validator to the U-channel using #8-32 x 1/2 screws. (E)
12. Confirm C2000 controller eprom is v2.0 or later, if not replace with enclosed eprom. Replace components in machine.
13. Add validator harness adaptor to the validator harness and plug into the validator power pack.
14. Attach the wanted dollar decal to the front of the face plate.
15. Turn on the power to the machine.

ER-60 COINCO & PANEL RETROFIT KIT #100-0055