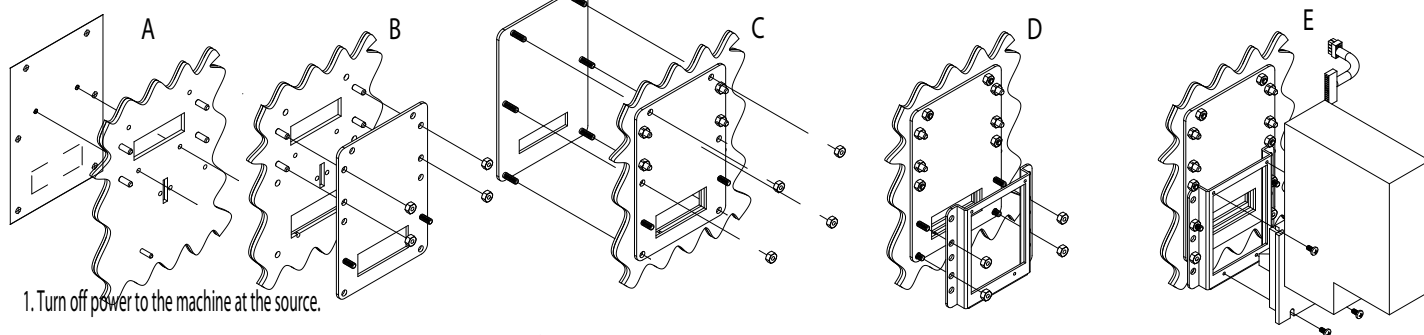


NOTE--
1.0 IF THE CONTROLLER IS NOT A C2000
MODEL THE CONTROLLER WILL NEED
TO BE REPLACED WITH PRT# 49-2000A.

BILL OF MATERIALS			
DET.#	PART#	DESCRIPTION	QTY
1	96-0173	RETROFIT DOLLAR DECAL SET	2
2	60-0382	RETROFIT FACEPLATE	2
3	47-0080	OUT OF SERVICE LIGHT	2
4	47-0080A	TINNERMAN NUT	2
5	48-0091	MED- EMPTY LIGHT HARNESS	2
6	60-0383	RETROFIT BACK PLATE	2
7	90-0331	NUT, # 1/4-20	24
8	48-3012	HARNESS, M-LINE MARS ADAPTOR	2
9	46-0200	MARS VALIDATOR (120V)	2
10	90-0144	#8-32 x 1/2	8
11	60-2051	U- CHANNEL	2
12	96-0175	TEMPLATE, DRS RETROFIT	1
13	101-0025	RETROFIT INSTRU. MARS, DRS	1
14	60-2056A	ASSM, MARS INHIBIT RELAY BOX	2
15	90-0302	NUT, #10-24 NYLON LOCK	2
16	103-0003	EPROM, PROGRAMMED C2000 v2.0	2
17	90-0130	SCREW, #6-32 1/8 PH	2

WILL WORK ONLY WITH
MARS
MODEL # AE 2116 U7
(NOT PROVIDED)



1. Turn off power to the machine at the source.
2. Remove validator, controller, stacker, stacker brackets, power box and harness from the machine. Be sure to then plug in the stacker bypass plug.
3. Remove ball studs and validator face plate.
4. Remove out of service lights.
5. Align template with bottom four face plate mounting holes. (A)
6. Mark and drill the 12 mounting holes (marked "A") through the face of the cabinet and the lexan, using a 3/8" bit.
6. Mark and drill the 2 out of service holes (marked "b") through the face of the cabinet and the lexan, using a 1/2" bit.
6. Mark and cut validator opening in both the cabinet and lexan.
7. Mount back plate using the top 4 validator mounting studs. (B).
8. Mount the face plate through the lexan, cabinet face, and the back plate tighten on the top 4 studs. (C)
9. Mount the U-channel on the 4 lower studs. (D)
10. Attach the validator to the U-channel using #8-32 x 1/2 screws. (E)
11. Attach Mars Inhibit Relay Assembly to the face of machine using #10 nut.
12. Repeat steps 7-11 with the second validator.
13. Mount out of service lights in new position and reconnect.
14. Confirm C2000 controller eprom is v2.0 or later, if not replace with enclosed eprom. Replace components in machine.
15. Connect Mars adaptor harness between validator and inhibit relay, then connect validator harness to inhibit relay.
16. Attach the wanted dollar decal to the front of the face plate.
17. Turn on the power to the machine.

DRS MARS RETROFIT KIT #100-0001-02