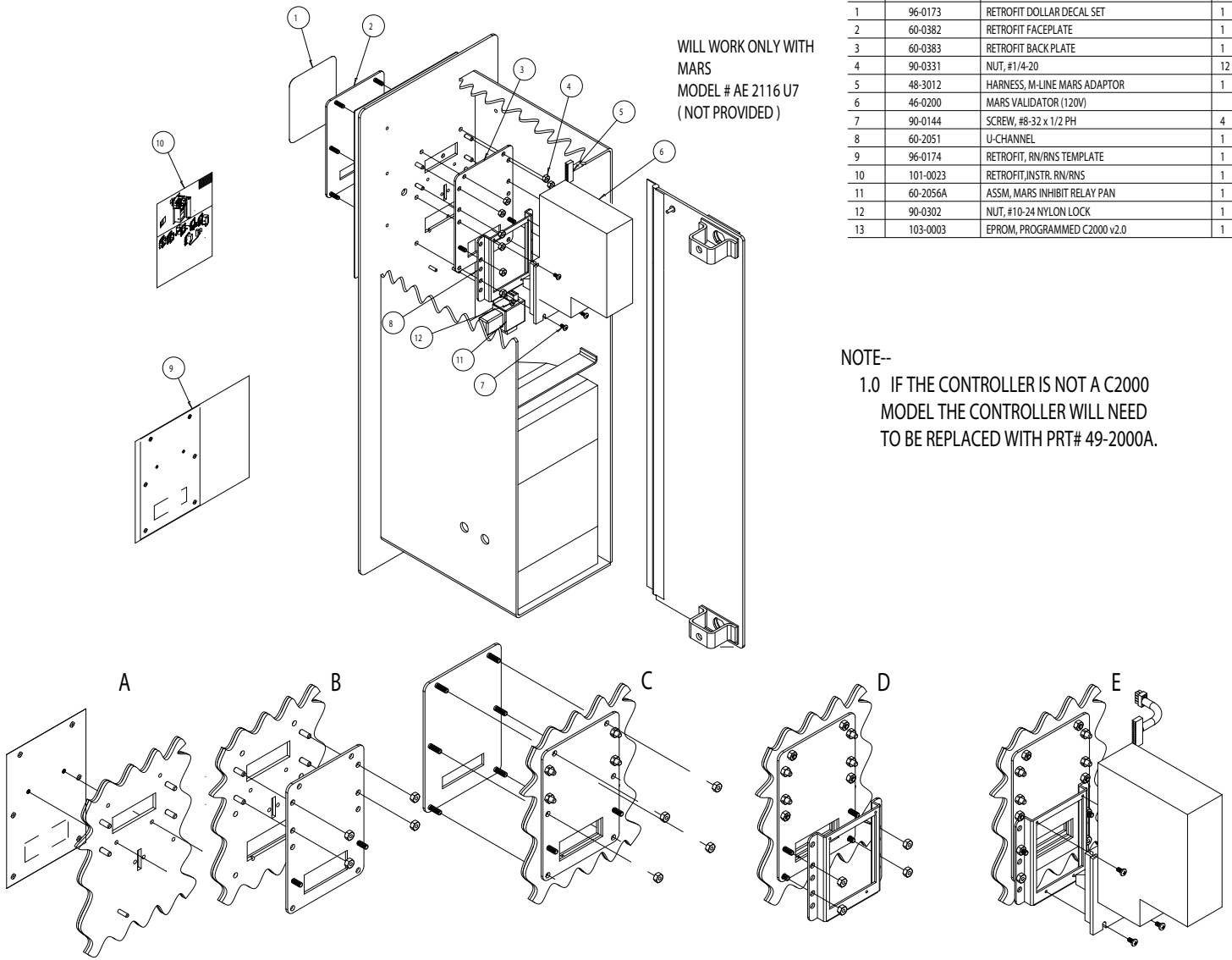


BILL OF MATERIALS

DET. #	PART #	DESCRIPTION	QTY.
1	96-0173	RETROFIT DOLLAR DECAL SET	1
2	60-0382	RETROFIT FACEPLATE	1
3	60-0383	RETROFIT BACK PLATE	1
4	90-0331	NUT, #1/4-20	12
5	48-3012	HARNESS, M-LINE MARS ADAPTOR	1
6	46-0200	MARS VALIDATOR (120V)	1
7	90-0144	SCREW, #8-32 x 1/2 PH	4
8	60-2051	U-CHANNEL	1
9	96-0174	RETROFIT, RN/RNS TEMPLATE	1
10	101-0023	RETROFIT, INSTR. RN/RNS	1
11	60-2056A	ASSM, MARS INHIBIT RELAY PAN	1
12	90-0302	NUT, #10-24 NYLON LOCK	1
13	103-0003	EPROM, PROGRAMMED C2000 v2.0	1

WILL WORK ONLY WITH  
MARS  
MODEL # AE 2116 U7  
(NOT PROVIDED)



NOTE--

1.0 IF THE CONTROLLER IS NOT A C2000  
MODEL THE CONTROLLER WILL NEED  
TO BE REPLACED WITH PRT# 49-2000A.

1. Turn off power to the machine at the source.
2. Remove validator, controller, stacker, stacker brackets, power box and harness from the machine. Be sure to then plug in the stacker bypass plug.
3. Remove ball studs and validator face plate.
4. Align template with bottom two face plate mounting holes on the face of the machine. (A)
5. Mark and drill the six mounting holes (marked "A") through the face of the cabinet and the lexan, using a 3/8" bit.
6. Mark and cut validator opening in both the cabinet and lexan.
7. Mount back plate using the top 4 validator mounting studs. (B).
8. Mount the face plate through the lexan, cabinet face, and the back plate tighten on the top 4 studs. (C)
9. Mount the U-channel on the 4 lower studs. (D)
10. Attach the validator to the U-channel using #8-32 x 1/2 screws. (E)
11. Attach Mars Inhibit Relay Assembly to face of the cabinet using #10 lock nut.
12. Confirm C2000 controller eprom is v2.0 or later, if not replace with enclosed eprom. Replace components in machine.
13. Connect Mars adaptor harness between validator and inhibit relay, then connect validator harness to inhibit relay.
14. Attach the wanted dollar decal to the front of the face plate.
15. Turn on the power to the machine.

# RN/RNS MARS RETROFIT KIT #100-0000-02