

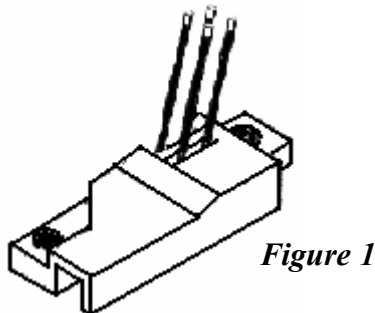
# Hamilton Manufacturing Corporation

1026 Hamilton Dr. Holland, OH 43528 • Phone: 419-867-4858/800-837-5561 • Fax: 419-867-4867 • www.hamiltonmfg.com

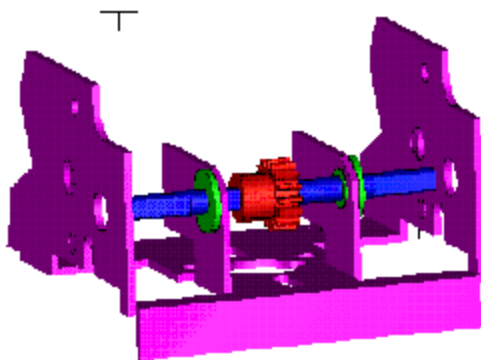
## REVISED REAR SENSOR HOLDER AND BRASS GEAR INSTALLATION PART # 46-1022

The Rear Sensor Holder, Part No. 46-1022, has been revised.

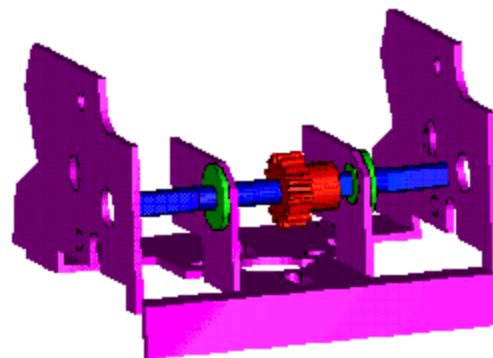
The pocket where the Sensor, Part No. 46-1055, is secured has been deepened. To accomplish this, the overall height of the Holder had to be increased. FIGURE 1 depicts the new Rear Sensor Holder.



Since the new, taller Rear Sensor Holder would interfere with the Brass Gear, Part No. 46-1050, the Gear Installation is modified. The Gear and Shaft will be installed in reverse to its current position. FIGURE 2 depicts the former installation, and FIGURE 3 depicts the new position. The Gear will be centered to the Steel Gear as it always has been.



*Figure 2*



*Figure 3*