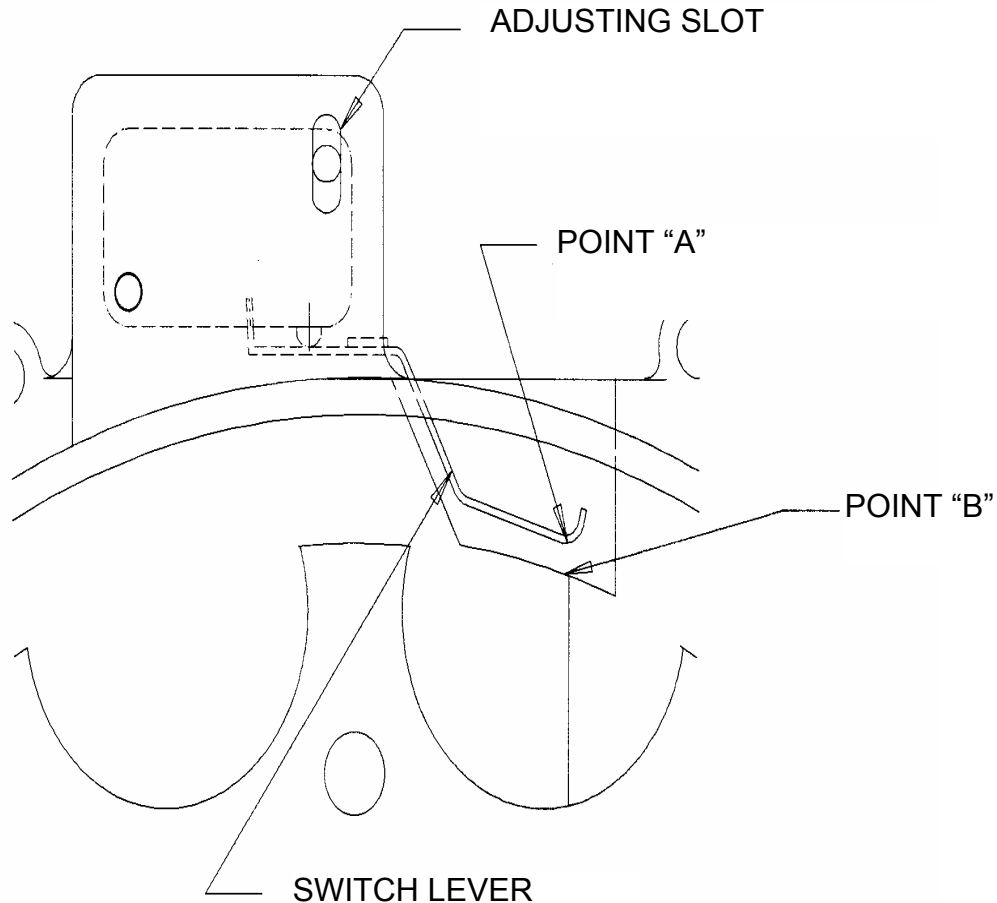


# Hamilton Manufacturing Corporation

1026 Hamilton Dr. Holland, OH 43528 • Phone: 419-867-4858/800-837-5561 • Fax: 419-867-4857 • www.hamiltonmfg.com

## PAYOUT SWITCH ADJUSTMENT

PART # 11-0008



1. Remove the Hopper cover and handle.
2. Remove the plastic baffle.
3. Push the switch lever up and down slowly. Notice that the switch clicks twice in each direction (usually very close together).
4. Lift the switch lever up and let it down slowly. When the switch clicks a second time (as the switch moves downward), STOP!
5. Between point "A" and Point "B" there should be 1/16" space for dime Hoppers and 1/8" space for all other Hoppers.\* When the actuator is let go and comes to a rest, Point "A" must contact Point "B". No other part of the switch actuator may contact the plastic.\*\* If the switch is out of adjustment, continue to steps 6 and 7 and then readjust the switch by following steps 3 through 5. After the switch is readjusted, continue with steps 8 and 9†.
6. Loosen the switch mounting screws.
7. Push the payout switch upward into the adjusting slot.
8. Tighten the switch and recheck the adjustment.
9. Reassemble the Hopper.

\*2-20-98: The procedure formerly stated that 1/16" spacing was to be used for ALL Hoppers.

\*\*3-5-98: Added section about rest position.

†12-15-98: Added section for checking adjustment before adjusting the switch.