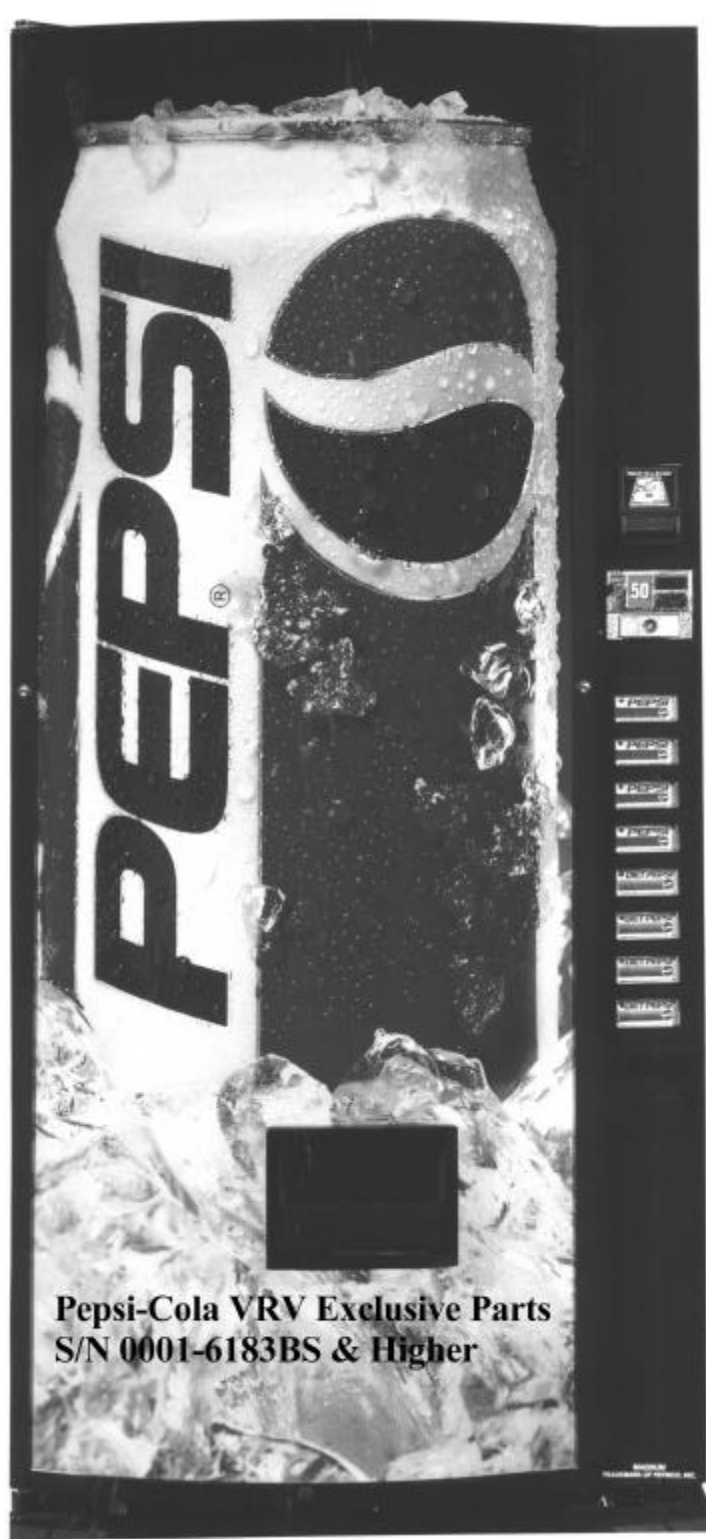


PEPSI-COLA VRV EXCLUSIVE PARTS LIST



©1992 PepsiCo, Inc., "Pepsi", "Pepsi-Cola", "diet Pepsi", "diet Pepsi-Cola", "caffeine free Pepsi", and "Pepsi Light" are trademarks of PepsiCo, Inc.

PEPSI-COLA - VRV DESIGN

This exclusive parts list pertains to Dixie-Narco Pepsi-Cola VRV Venders. The main door and its parts are the only thing different between VRV and Non-VRV Machines. Please note, when ordering all parts, it is very important to be specific on the part number, model number and serial number of the vender. All of this information can be found on the serial plate. Please refer to the Pepsi-Cola Non-VRV Parts Manual for parts inside or on the cabinet. Also note, we have a specific lettering system at the end of the serial number which indicates the quarter and the year in which the vender was manufactured.

The lettering system started in the year 1976 with the letter A. Quarters are dated on a calendar basis and indicated by the first letter:

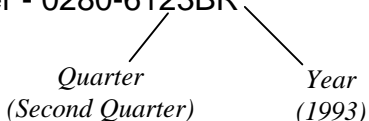
A = First Quarter C = Third Quarter
B = Second Quarter D = Fourth Quarter

Years are dated and indicated by the second letter:

S = Year 1994 V = Year 1997
T = Year 1995 W = Year 1998
U = Year 1996 X = Year 1999

For Example:

Part Number - 593,050,400.03
Model Number - DNCB440MC/252-7 VRV
Serial Number - 0280-6123BR

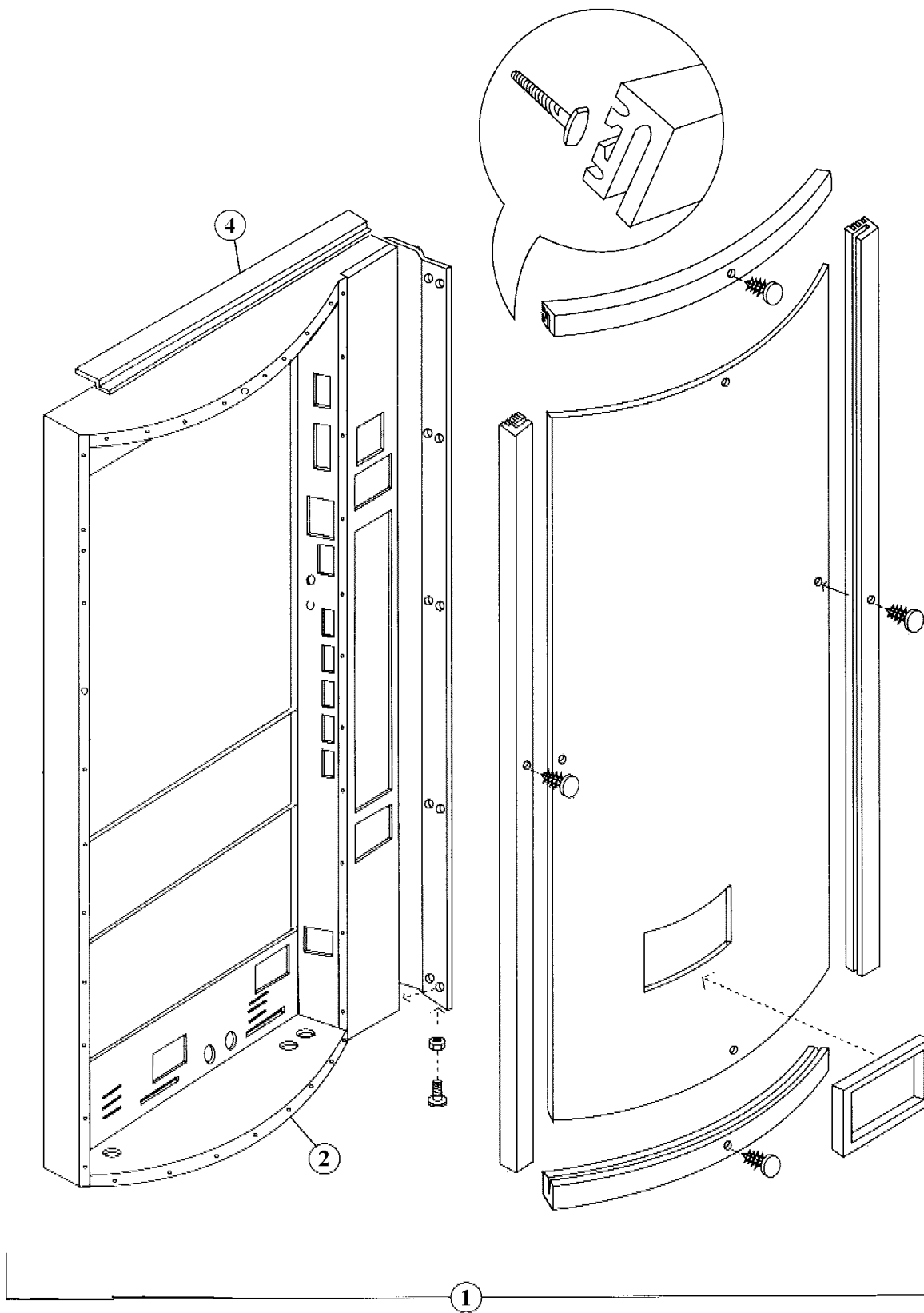


**Williston Built Venders Beginning
0001-6183BS
First Produced May, 1994**



Dixie-Narco Boulevard, Drawer 719, Williston, SC 29853
1-800-688-9090 or (803) 266-5000; FAX: (803) 266-5150

MAIN DOOR - EXTERIOR - PEPSI-COLA (Magnum Circular) VRV

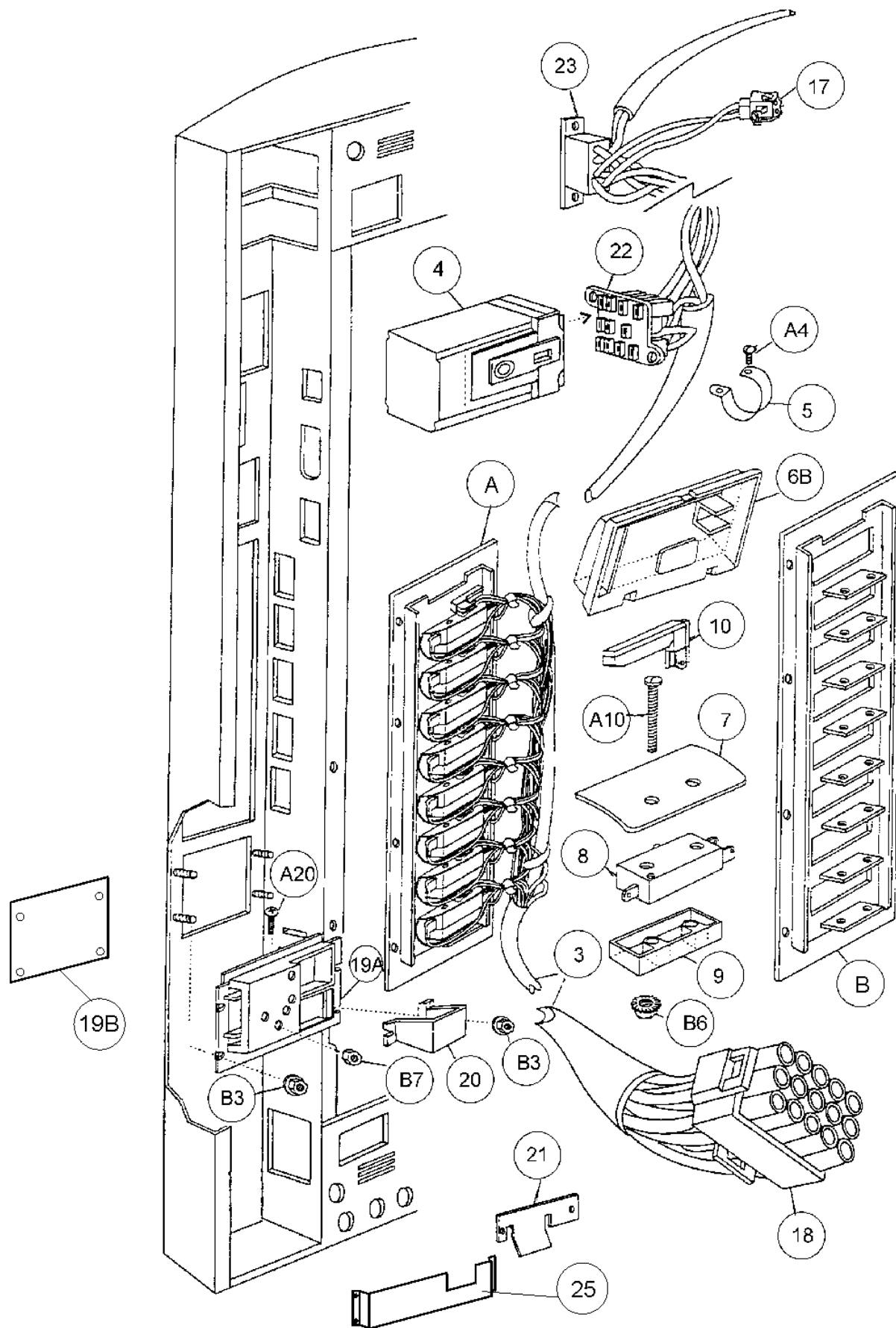


1 MAIN DOOR ASSEMBLIES
(Are Backward Compatible)

	SINGLE PRICE	SII	SIID
168-6 VRV	591,050,000.13	591,050,300.03	591,050,500.03
276-6 VRV	592,050,000.23	592,050,300.03	not available at print
348-10 VRV	592,050,700.23	592,051,500.03	592,052,400.03
360/522-6 VRV	592,050,900.23	592,051,000.03	592,052,500.03
368/501-8 VRV	592,050,400.23	592,050,500.03	592,052,600.03
414-10 VRV	593,050,600.23	593,050,700.03	593,051,300.03
432-6 VRV	533,150,200.23	Not Applicable	533,150,300.03
440/600-8 VRV	593,050,000.23	593,050,100.03	593,051,400.03
600E	610,051,200.03	Not Applicable	610,011,100.03
501E	609,053,300.03	Not Applicable	609,081,100.03
276E	615,050,300.13	Not Applicable	615,050,400.13

2 MAIN DOOR WELD ASSEMBLIES
(Are not backward compatible)

	SINGLE PRICE	SII	SIID
168-6 VRV	591,050,200.03	591,050,200.03	591,050,200.03
276-6 VRV	592,050,100.03	592,050,100.03	592,050,100.03
348-10 VRV	592,050,800.03	592,050,800.03	592,050,800.03
360/522-6 VRV	592,050,600.03	592,050,600.03	592,050,600.03
368/501-8 VRV	592,050,600.03	592,050,600.03	592,050,600.03
414-10 VRV	593,050,500.03	593,050,500.03	593,050,500.03
432-6 VRV	593,050,400.03	Not Applicable	593,050,400.03
440/600-8 VRV	593,050,400.03	593,050,400.03	593,050,400.03
600E	593,050,500.03	Not Applicable	593,050,500.03
501E	592,050,800.03	Not Applicable	592,050,800.03
276E	592,050,100.03	Not Applicable	592,050,100.03



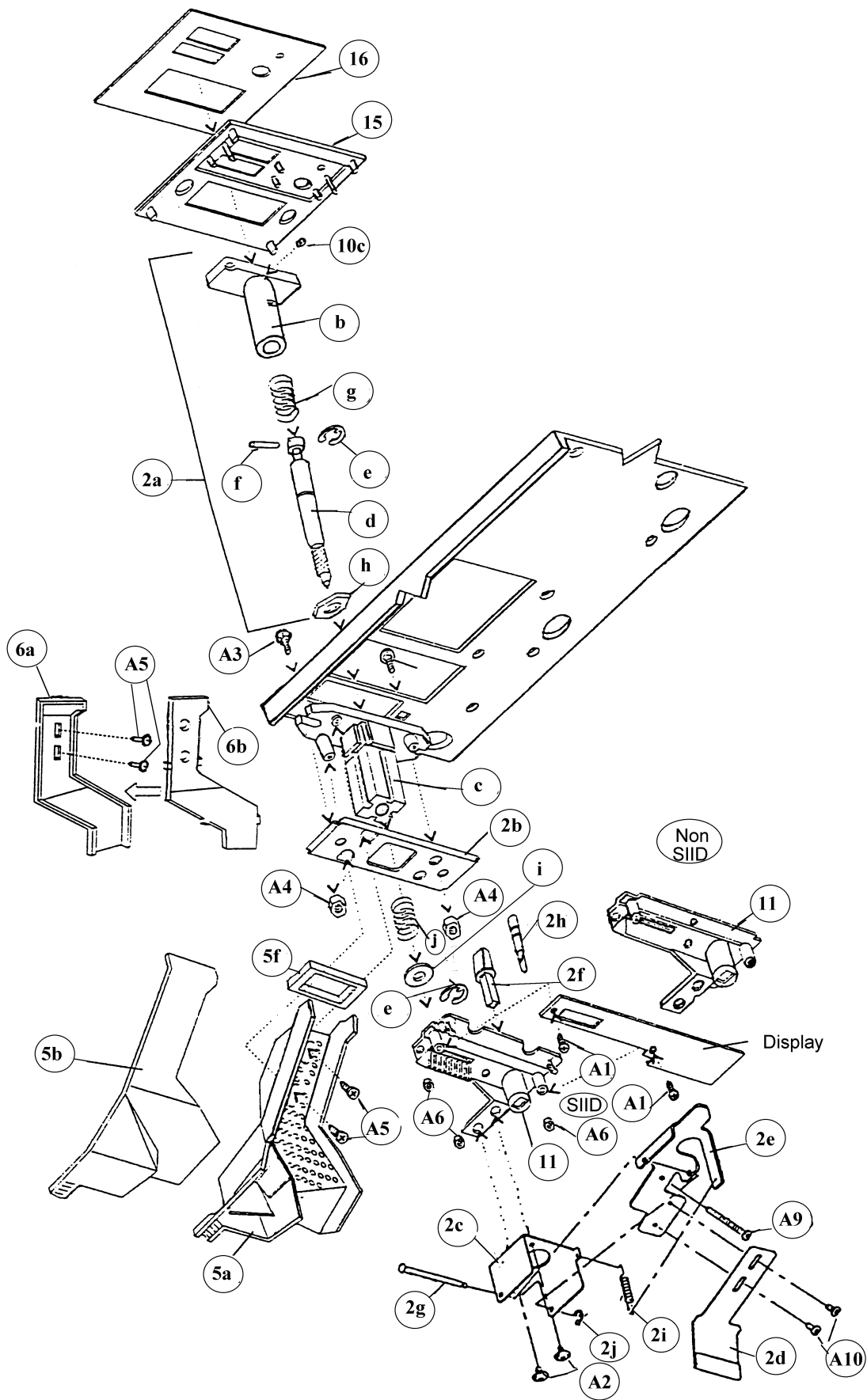
A SELECT PANEL ASSEMBLY

(Includes: w/a front control panel, buttons, switches, button stop, switch spring and insulator mylar, and sold-out lamps for non-SII and SII)

	SINGLE PRICE	SII	SIID
168/276/360/432/ 522-6 VRV	488,050,300.03	565,151,200.03	565,156,100.03
348/414-10 VRV	479,050,600.03	572,052,300.03	572,053,800.03
368/501 440/600-8 VRV	480,050,300.03	572,052,400.03	572,053,900.03
600E	596,052,300.03	Not Applicable	596,052,100.03
501E	596,052,300.03	Not Applicable	596,052,100.03
276E	615,050,200.03	Not Applicable	615,050,000.03

B FRONT CONTROL PANEL WELD ASSEMBLY

	SINGLE PRICE	SII	SIID
168/276/360/432/ 522-6 VRV	488,050,200.23	488,050,200.23	488,050,200.23
348/414-10 VRV	479,050,500.03	479,050,500.03	479,050,500.03
368/501 440/600-8 VRV	480,050,200.33	480,050,200.33	480,050,200.33
600E	596,052,000.03	Not Applicable	596,052,000.03
501E	596,052,000.03	Not Applicable	596,052,000.03
276E	615,050,100.03	Not Applicable	615,050,100.03



EXCLUSIVE PARTS LIST

	DESCRIPTION	SINGLE PRICE	SII	SIID
1	Coin Insert Assembly Kit VRV Pepsi (Domestic) Includes: mounting geometry, label, coin return sub assembly, coin insert plate and stud assembly)	591,010,000.04	591,010,100.04	591,010,100.04
2	Assy., Sub Coin Return VRV SII (Includes T-handle Assy., coin return bracket, plunger, and rocker)	572,050,600.83	572,052,100.43	572,052,100.43
2a	Assy., Flush Mount T-Handle	801,508,200.21	801,508,200.21	801,508,200.21
b	T-Handle, Flush Mount	801,508,150.21	801,508,150.21	801,508,150.21
c	Body, Flush Mount Lock	801,508,160.31	801,508,160.31	801,508,160.31
d	Stud, Flush Mount Lock	801,508,190.11	801,508,190.11	801,508,190.11
e	External Retaining Ring	801,507,340.11	801,507,340.11	801,507,340.11
f	Cross Pin	901,503,090.11	901,503,090.11	901,503,090.11
g	Spring	901,503,050.01	901,503,050.01	901,503,050.01
h	Hex Washer	901,503,080.11	901,503,080.11	901,503,080.11
i	Flat Washer	901,503,060.01	901,503,060.01	901,503,060.01
j	Spring, Flush Mount T-Handle	901,508,180.01	901,508,180.01	901,508,180.01
2b	Retainer, High Security (Back-Up Plate)	572,000,010.13	572,000,010.13	572,000,010.13
2c	Coin Return Bracket VRV	572,050,240.13	572,050,240.13	572,050,240.13
2d	Coin Return Plunger VRV	572,050,230.23	572,050,230.23	572,050,230.23
2e	Coin Return Rocker	572,050,220.33	572,050,220.33	572,050,220.33
2f	Coin Return Push Button	801,807,250.41	801,807,250.41	801,807,250.41
2g	Coin Return Rocker Pin (Service)	900,502,810.01	900,502,810.01	900,502,810.01
2h	Use Correct Change Lamp 125 VAC, VRV (Sold-Out)	804,700,540.21	Not Applicable	Not Applicable
2i	Extension Spring	901,700,630.31	901,700,630.31	901,700,630.31
2j	Coin Return Pin Retainer Ring (Service)	900,902,310.01	900,902,310.01	900,902,310.01
3	Use Correct Change Light (2 VAC)	Not Applicable	804,700,550.21	Not Applicable
4				
a	Validator Filler Plate Assy., VRV	360,050,720.73	360,050,720.73	360,050,720.73
b	Validator Gasket, Black	902,001,020.11	902,001,020.11	902,001,020.11
5	Vender Defender, Kit	491,540,700.33	491,540,700.33	491,540,700.33
a	Vender Defender, Bottom and Screen	801,808,460.01	801,808,460.01	801,808,460.01
b	Vender Defender, Top Cover	801,808,470.01	801,808,470.01	801,808,470.01
c	Vender Defender, Clip	801,807,490.01	801,807,490.01	801,807,490.01
d	Vender Defender, Drain Hose	801,807,500.01	801,807,500.01	801,807,500.01
e	Vender Defender, Instruction Package	801,807,510.01	801,807,510.01	801,807,510.01
f	Vender Defender, Gasket	801,808,110.11	801,808,110.11	801,808,110.11
6a	Coin Chute	801,805,791.31	801,805,791.31	801,805,791.31
6b	Coin Chute Cover	801,805,800.61	801,805,800.61	801,805,800.61
7	Mounting Bracket, Changer Socket VRV	572,050,090.43	524,050,140.23	524,050,140.23
8	Reinforcement Plate, Top Hinge	801,303,890.41	801,303,890.41	801,303,890.41
9	Liquid Guard VRV (metal - covers relay/changer socket)	572,050,160.23	Not Applicable	Not Applicable
10	Assy., Lock Security Parts & Instruction Bag	572,052,500.04	572,052,500.04	572,052,500.04
a	Envelope - Parts/Instruction	905,406,890.11	905,406,890.11	905,406,890.11
b	Allen Key, Hex 1/16"	800,101,150.01	800,101,150.01	800,101,150.01
c	Set Screw	901,508,170.11	901,508,170.11	901,508,170.11
11	Coin Insert Mounting Geometry Domestic (red)	801,807,690.31	801,807,710.31	801,807,710.31
12	6 Select Door Harness	804,903,710.11	804,907,940.11	804,909,180.31
13	8 Select Door Harness	804,903,690.11	804,907,950.11	804,909,190.31
14	10 Select Door Harness	804,903,700.11	804,907,960.11	804,909,200.51
15	Coin Insert Plate & Stud Assembly (does not include decal)	461,151,100.13	461,150,800.23	461,150,800.23
16	Coin Insert Decal	803,837,670.01	803,837,660.01	803,837,660.01
17	Rain Diverter Shelf, USA	801,902,710.01	801,902,710.01	801,902,710.01

EXCLUSIVE PARTS LIST

	DESCRIPTION	SINGLE PRICE	SII	SIID
18	Pepsi VRV Lockcover Kit	480,011,200.14	480,011,200.14	480,011,200.14
a	Pepsi VRV Lockcover	592,051,800.23	592,051,800.23	592,051,800.23
b	Carriage Bolt, ¼-20x3/8" (1)	900,201,230.11	900,201,230.11	900,201,230.11
c	Coin Insert Decal for use with lockcover	803,841,790.01	803,841,780.01	803,841,780.01
19	Bill Validator Door VRV	572,050,170.53	572,050,170.53	572,050,170.53
20	Coin Return Cup Retainer	572,050,080.23	572,050,080.23	572,050,080.23
21	Select Button, Small Rectangle	801,805,110.01	801,805,110.01	801,805,110.01
22	Select Switch	804,100,510.21	804,100,760.11	804,100,760.11
23	Select Button Stop	801,804,540.41	801,804,540.41	801,804,540.41
24	Select Button Spring & Shield, Mylar	801,804,620.31	801,804,620.31	801,804,620.31
25	Pepsi Display Board Assembly VRV	Not Applicable	804,907,010.91	804,909,450.61
26	Control Box Assembly (Domestic)	Not Applicable	804,909,690.01	804,910,980.01
27	Vend Motor Switch	804,100,690.01	804,100,730.01	804,100,730.01
28	Vend Motor Assembly Brown Cam			
a	T Narrow	497,070,900.03	565,070,100.13	565,070,100.13
b	Std. Narrow	491,070,400.03	572,070,000.13	572,070,000.13
29	Vend Motor Assembly			
a	Green Cam T Wide	497,070,800.13	565,070,200.23	565,070,200.23
b	20 oz. Cam T Wide	497,270,100.13	565,070,400.23	565,070,400.23
c	Blue Cam Std. Wide	491,070,300.13	572,070,100.23	572,070,100.23
30	Door Switch	Not Applicable	804,100,770.21	804,100,770.21
31	Sold-Out Switch	804,100,680.71	804,100,750.61	804,100,750.61
32	Program Label	Not Applicable	903,835,120.31	803,842,850.21
33	Coin Mech Label	903,901,290.21	903,901,300.51	903,901,300.51
34	Fuses			
a	1.6 Amp Fuse (Slow Blow)	Not Applicable	804,800,710.01	804,800,710.01
b	1 Amp Fuse (Slow Blow)	Not Applicable	804,800,720.01	804,800,720.01
c	2.5 Amp Fuse (Slow Blow)	Not Applicable	804,800,730.01	804,800,730.01
d	4 Amp Fuse (Rapid Blow)	Not Applicable	804,908,080.01	804,908,080.01
e	6 Amp Fuse (Fast Acting)	Not Applicable	Not Applicable	804,910,930.01
35	Price Label	Not Applicable	903,828,820.11	903,828,820.11
36	Motor Cover Guard	Not Applicable	801,807,730.01	801,807,730.01
37	Transformer	Not Applicable	Not Applicable	804,909,800.51
38	Trim, Vend Motor Cover	Not Applicable	801,807,850.01	801,807,850.01
A1	Screw, Phil Pan without washer #8-18x½"	900,301,500.01	900,301,500.01	900,301,500.01
A2	Screw, Phil Pan Swage Form with washer #8-18x½"	900,301,640.21	900,301,640.21	900,301,640.21
A3	Carriage Bolt ¼-20x¾"	900,201,560.11	900,201,560.11	900,201,560.11
A4	Keps Nut, ¼-20	900,800,670.01	900,800,670.01	900,800,670.01
A5	Screw, Phil Pan Swage Form #6-32x3/8"	900,301,700.11	900,301,700.11	900,301,700.11
A6	Keps Nut #8-32	900,800,500.01	900,800,500.01	900,800,500.01
A7	T-Bolt #8-32x¾"	900,400,350.41	900,400,350.41	900,400,350.41
A8	Pop Rivet, 1/8"	901,100,530.01	901,100,530.01	901,100,530.01
A9	Screw, Phil Pan Type F #10-32x1-¼"	900,301,810.01	900,301,810.01	900,301,810.01
A10	Screw, Phil Pan Swage Form #8-32x3/8"	900,301,560.21	900,301,560.21	900,301,560.21

WIRING HARNESSES

SII and SIID Only

Door Harness (From Select Panel to Control Board)

{Non-SII Not Applicable}

	Description	SII	SIID
1	6 Select VRV	804,907,940.11	804,909,180.31
2	8 Select VRV 368/440/501/600	804,907,950.11	804,909,190.31
3	10 Select VRV 348/414	804,907,960.11	804,909,200.51
4	9 Select VRV 501E/600E	Not Applicable	804,912,540.01
5	7 Select VRV 276E	Not Applicable	804,912,750.01

Cabinet Harness (From Sold-Out Switches & Vend Motor Switches)

{Non-SII Not Applicable}

	Description	SII	SIID
1	Cabinet Harness 501/600	804,906,370.31	804,909,410.11
2	Cabinet Harness 368/440	804,906,380.31	804,909,390.11
3	Cabinet Harness 348/414	804,906,390.21	804,909,370.21
4	Cabinet Harness 360/432	804,907,100.31	804,909,420.31
5	Cabinet Harness 300/180	804,907,030.21	804,909,330.21
6	Cabinet Harness 276/168	804,906,410.31	804,909,350.11
7	Cabinet Harness 501E/600E	Not Applicable	804,912,570.11
8	Cabinet Harness 276E	Not Applicable	804,912,730.01

Motor Harness (From Coils of Vend Motors)

{Non-SII Not Applicable}

	Description	SII	SIID
1	Motor Harness 501/600	804,906,500.21	804,909,400.01
2	Motor Harness 368/440	804,906,490.31	804,909,380.01
3	Motor Harness 348/414	804,906,480.11	804,909,360.01
4	Motor Harness 360/432	804,907,090.31	804,909,430.11
5	Motor Harness 300/180	804,907,170.01	804,909,320.01
6	Motor Harness 276	804,906,510.21	804,909,340.01
7	Motor Harness 501E/600E	Not Applicable	804,912,560.01
8	Motor Harness 276E	Not Applicable	804,912,720.01

Miscellaneous Harnesses

{Non-SII Not Applicable}

	Description	SII	SIID
1	Price Display Harness		
a	All	804,906,650.61	804,909,770.21
b	Extended	804,908,130.21	804,909,500.21
2	Motor Extension Harness (from board to door hinge area)		
a	62"	804,907,880.21	804,909,310.01
b	90"	804,906,340.11	804,909,290.01
3	Cabinet Extension Harness (from board to door hinge area)		
a	All 62"	804,906,470.31	804,909,300.11
b	90"	Not Applicable	804,909,280.21
4	Coin Mech Harness (Micro Mech)		
a	MC 5000	804,906,620.31	804,909,710.41
b	Extended MC 5000	804,908,110.01	804,909,510.11
5	Coin Mech Harness (Mdb)		
a	Multidrop	804,906,660.31	804,909,780.01
b	Extended Multidrop	Not Applicable	804,909,530.01
6	Low Level Note Acceptor Harness		
a	USA & Mars	804,906,640.41	804,909,720.11
b	Extended (Dr. Pepper & 7Up) USA & Mars	804,908,120.01	804,909,540.11
c	Mars 110V (VFM1 or VFM3 & VN2001)	Not Applicable	804,912,590.01
7	SA Executive Coin Mech Harness	804,907,760.11	Not Applicable
8	High Level Note Acceptor Harness		
a	Mars	804,907,800.11	804,909,740.01
b	Extended (Dr. Pepper & 7Up) Mars	Not Applicable	804,909,520.01
c	Maka	804,907,710.31	804,909,760.01
d	CBA-2 & UBA-2	804,907,790.31	804,909,750.01
e	BA-30	Not Applicable	804,909,790.01
9	Coin Mech Harness to Interface Maka	804,907,820.01	804,909,730.01
10	BDV Coin Mech Harness (2x5928)	804,907,890.21	Not Applicable
11	ACD Interface Cable (Greenwich Box)	Not Applicable	804,910,610.31
12	External DEX Harness (Service Only)	804,907,830.61	804,907,830.61
13	DEX Interface Harness		
a	(9 Pin)	804,910,080.01	804,910,080.01
b	(25 Pin)	804,910,090.01	804,910,090.01
14	Coinco BA30 Note Acceptor Harness Mdb (#407420)	Not Applicable	804,909,610.01