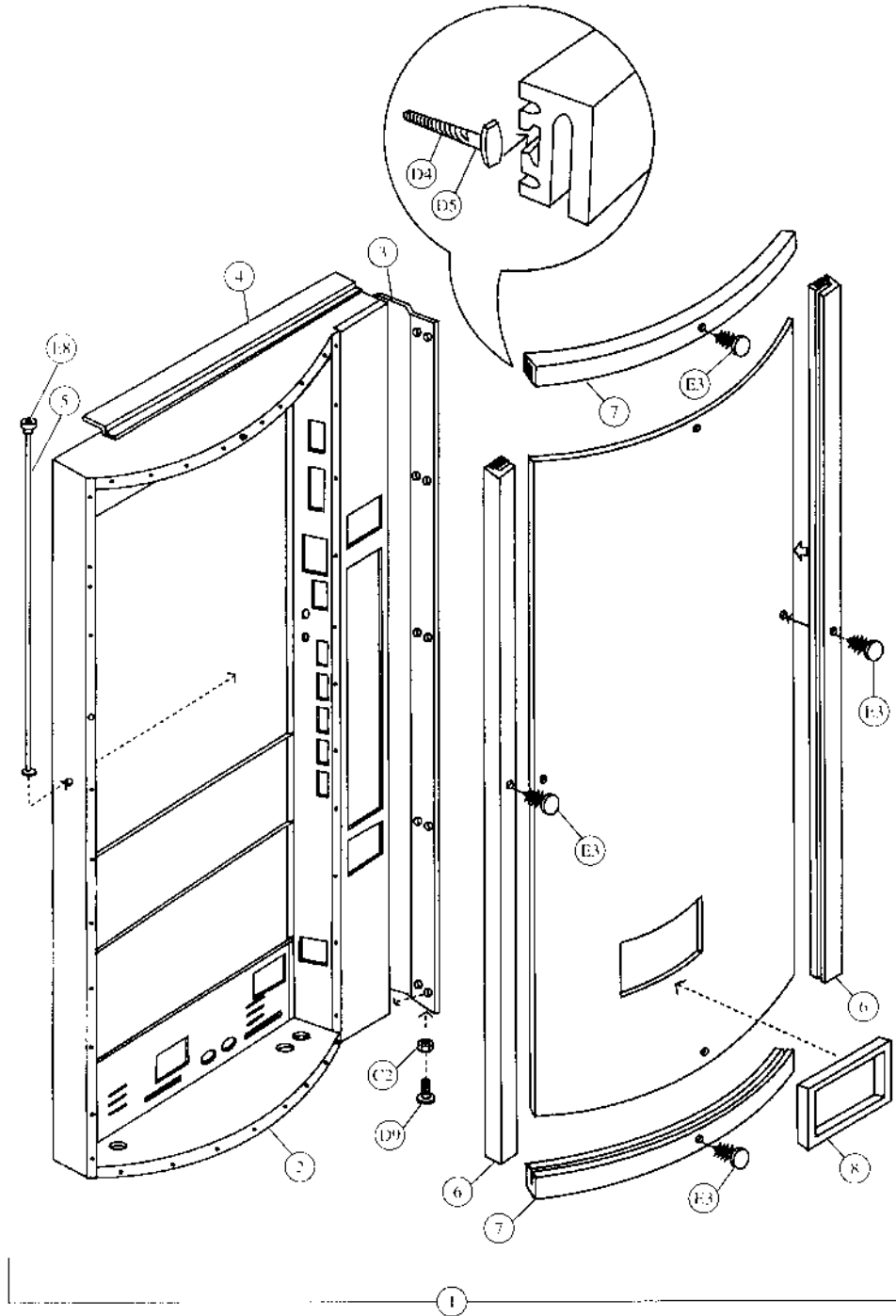


## **Pepsi (Magnum Cir.) DNCB 348MC**

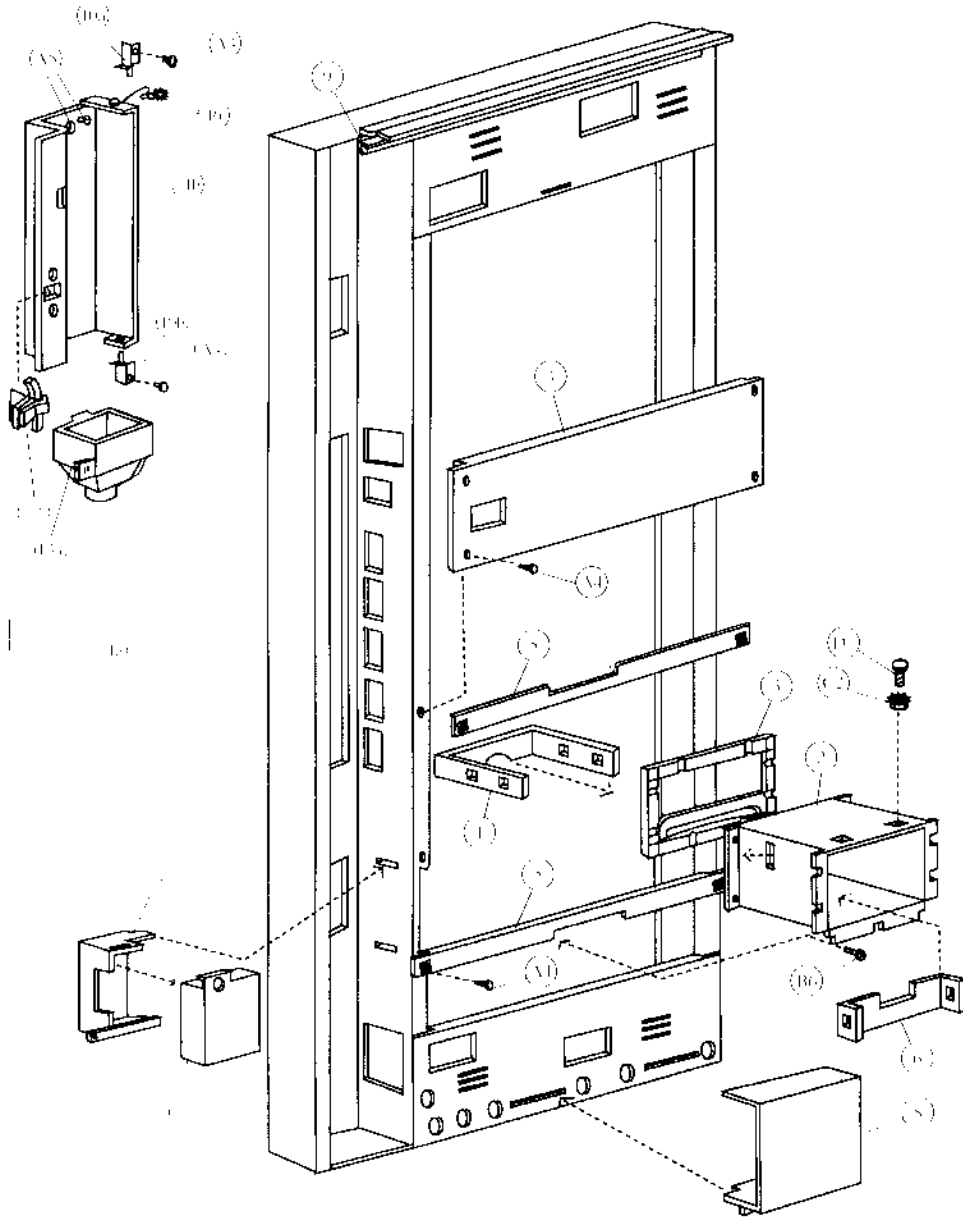
Dimensions	72" H x 37 1/16" W x 30 1/2" D (1829mm H x 940mm W x 775mm D)
Dimensions Less Door	72" H x 37 1/16" W x 27 1/8" D (1829mm H x 940mm W x 698mm D)
Approximate Weight	728 lbs. (330kg)
Selections/Columns	10/10
Total 12 oz. (330ml) Cans Capacity/Vend	350/330
Column Capacity 12 oz. (330ml) Cans	9 Single Columns - 32 Each 1 Double Column - 62 Each

# Main Door - Exterior - Pepsi (Magnum Circular)





# Main Door - Interior - Pepsi (Magnum Circular)

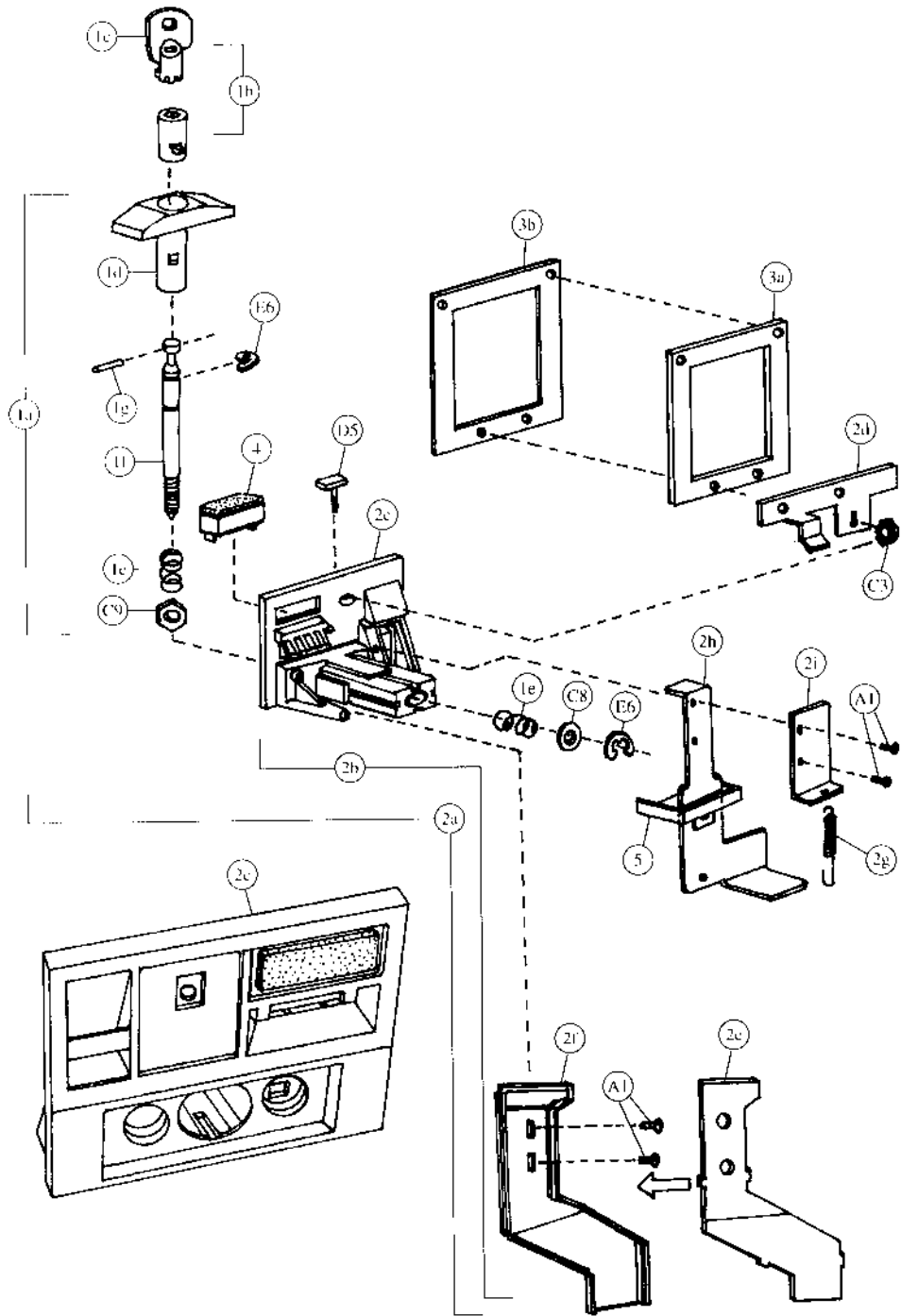


**Main Door - Interior - Pepsi (Magnum Circular)**

Item	Part Number	Part Name And Description
1	399,050,240.03	Discharge Member
2	801,806,030.61	Delivery Port (black frame)
3	801,805,500.21	Port Spacer
4	453,150,010.23	Center Door Stiffener
5	480,050,060.03	Delivery Port Stiffener
6	432,010,510.13	Closure Strip
7	901,901,890.01	1" Clamp (not shown)
8	432,050,660.03	Cover Wire Plug
9	903,600,530.01	L-Profile Gasket
10a	432,051,000.03	Access Door Top Hinge, w/a
10b	432,051,101.63	Access Door Bottom Hinge, w/a
11a	499,150,100.03	Access Door Assembly
11b	432,050,141.13	Access Door
12	901,902,130.11	Access Door Latch
13a	801,806,950.21	Coin Hopper
13b	500,050,000.13	Hopper Extension, w/a (not shown)
13c	479,050,040.23	Front, Coin Chute (not shown)
13d	479,050,030.13	Back, Coin Chute (not shown)
14	432,051,800.03	Cash Box, w/a
15	479,050,060.03	Cash Box Shelf
16	804,902,610.01	4" Ground Wire (102mm)

B6	900,301,650.01	Screw, Phil Pan (with washer) #8 - 18 x 1/2 (3)
C3	900,800,500.01	Keps Nut #8 - 32
A4	900,301,500.01	Screw, Phil Pan (without washer) #8 - 18 x 1/2 (9)
D7	900,201,170.01	Carriage Bolt 1/4 - 20 x 1 (6)
C2	900,800,670.01	Keps Nut 1/4 x 20 (6)
A9	900,301,560.01	Sems Screw #8 - 32 x 3/8
A5	900,301,970.01	Screw, Phil Pan #8 - 32 x 1/4 (3)
B4	900,201,140.01	Screw, Machine Truss #10 - 32 x 1/2 (2)
B9	900,800,650.01	Keps Nut #10 - 32 (not shown) (2)

# Pull-Out Handle & Coin Insert - Pepsi (Magnum Circular)









## Select Panel - Pepsi (Magnum Circular)

Item	Part Number	Part Name And Description
1	479,050,600.03	Select Panel Assembly (specify harness)
2	479,050,500.03	Select Panel, w/a
3	See list below	Door Harness (10 select)
	804,903,700.11	Single Price & Single Price - IEC Standard
	804,904,160.11	Two Price & Two Price - IEC Standard
	804,903,990.11	Four Price & Four Price - IEC Standard
4	904,600,830.01	15-Way Plug
5a	904,600,620.01	Socket, Relay
5b	904,600,600.01	Socket, Coin Changer
6	804,200,170.01	Vend Relay (single price only)
7	901,901,890.01	1" Clamp
8	801,805,110.01	Button (small rectangle)
9a	801,804,540.21	Button Stop
9b	801,804,620.11	Switch Shield & Spring, Mylar
9c	804,100,510.01	Select Switch (Unimax A401)
10	804,700,210.01	Sold Out Lamp
11	Indicate Flavor	Flavor Cards (not shown)
12	904,600,700.01	2-Way Cap
13	453,050,140.03	Door Strap
14a	801,805,610.11	Change Cup & Opener Bezel
14b	801,805,530.21	Change Cup
14c	399,050,270.13	Opener Housing Reinforcement Plate
15	901,000,190.01	Crown Puller (not shown)
16	432,050,400.03	Crown Catcher (not shown)
17	432,050,280.33	Crown Chute (not shown)

DD	900,800,490.01	Keps Nut #6 - 32 (12)
CC	900,201,220.11	Machine Screw #8 - 32 x 3/4
E8	900,800,510.01	Elastic Stop Nut #8 - 32
A4	900,301,500.01	Screw, Phil Pan #8 - 18 x 1/2 (2)
A9	900,301,560.01	Sems Screw #8 - 32 x 3/8 (7)
D3	900,400,430.01	T-Bolt #8 - 32 x 1 (4)
C3	900,800,500.01	Keps Nut #8 - 32 (14)
AA	900,201,310.01	Screw #6 - 32 x 1 1/4 (20)



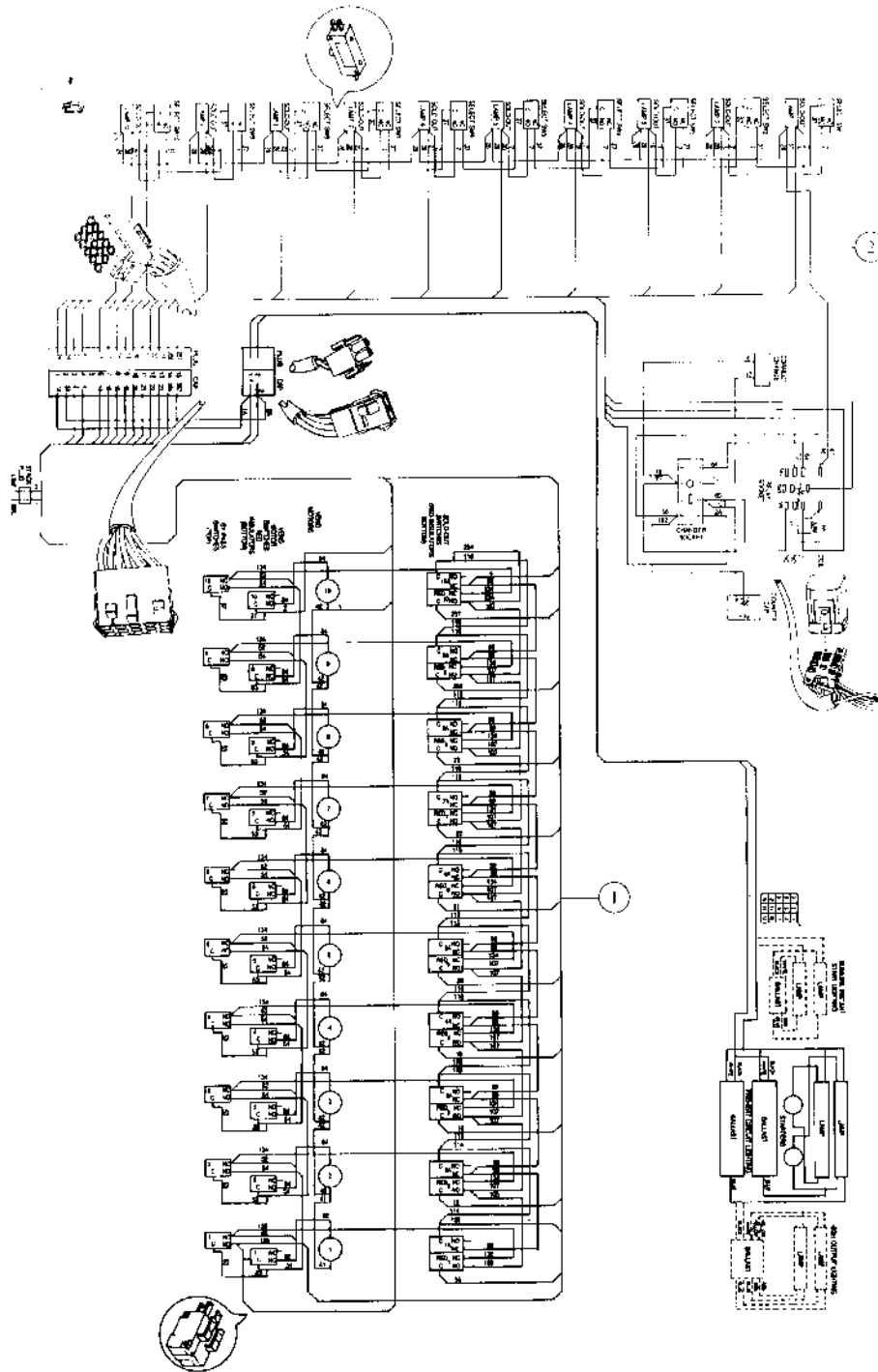
**Lighting - Pepsi (Magnum Circular)**

Item	Part Number	Part Name And Description
High-Output Lighting		
1	804,700,370.01	Fluorescent Bulb - F64T12/D/HO
2a	432,050,380.63	Door Bracket Lamp Socket
2b	804,901,990.01	Top Lamp Holders - 523
2c	804,902,000.01	Bottom Lamp Holders - 524
3	804,400,380.01	Plug-In Ballast, Advance #VSM/HO
4	904,800,520.01	Connector, Electrical (scotchlock 557)(not shown)
5	904,600,710.01	2-Way Plug
6	904,600,670.01	9-Way Plug
7	904,600,660.01	9-Way Cap
8	804,904,510.21	Plug-In Ballast Harness, High Output
9	804,904,920.21	Lamp Fixture Jumper, High Output

Slimline Lighting		
1	804,700,300.01	Fluorescent Bulb - F64T12/DAYLT
2a	432,050,380.63	Door Bracket Lamp Socket
2b	804,902,020.01	Top Lamp Holders - 516
2c	804,902,030.01	Bottom Lamp Holders - 517
3	804,400,370.11	Plug-In Ballast, Slimline
4	904,800,520.01	Connector, Electrical (scotchlock 557)(not shown)
5	904,600,710.01	2-Way Plug
6	904,600,670.01	9-Way Plug
7	904,600,660.01	9-Way Cap
8	804,904,600.51	Plug-In Ballast Harness, Slimline

A1	900,301,700.01	Sheet Metal Screw #6 - 32 x 3/8 (4)
----	----------------	-------------------------------------

# Wiring Harness - Pepsi (Magnum Circular)



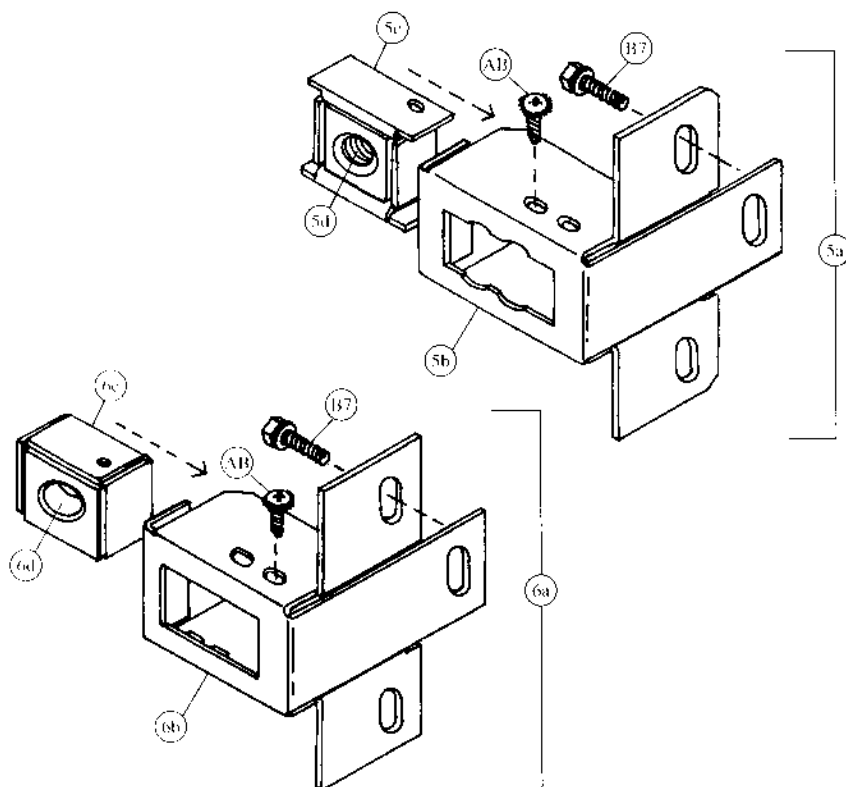
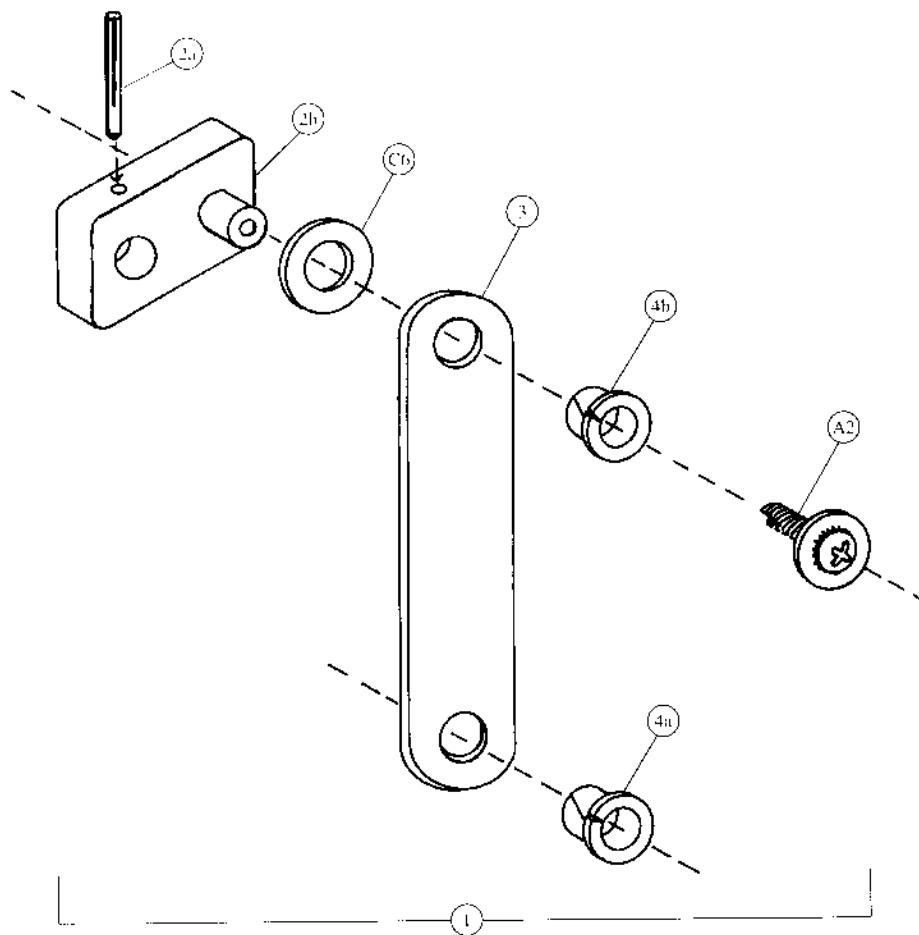
Sample Diagram  
10 Column Dual Adaptable, Single Price







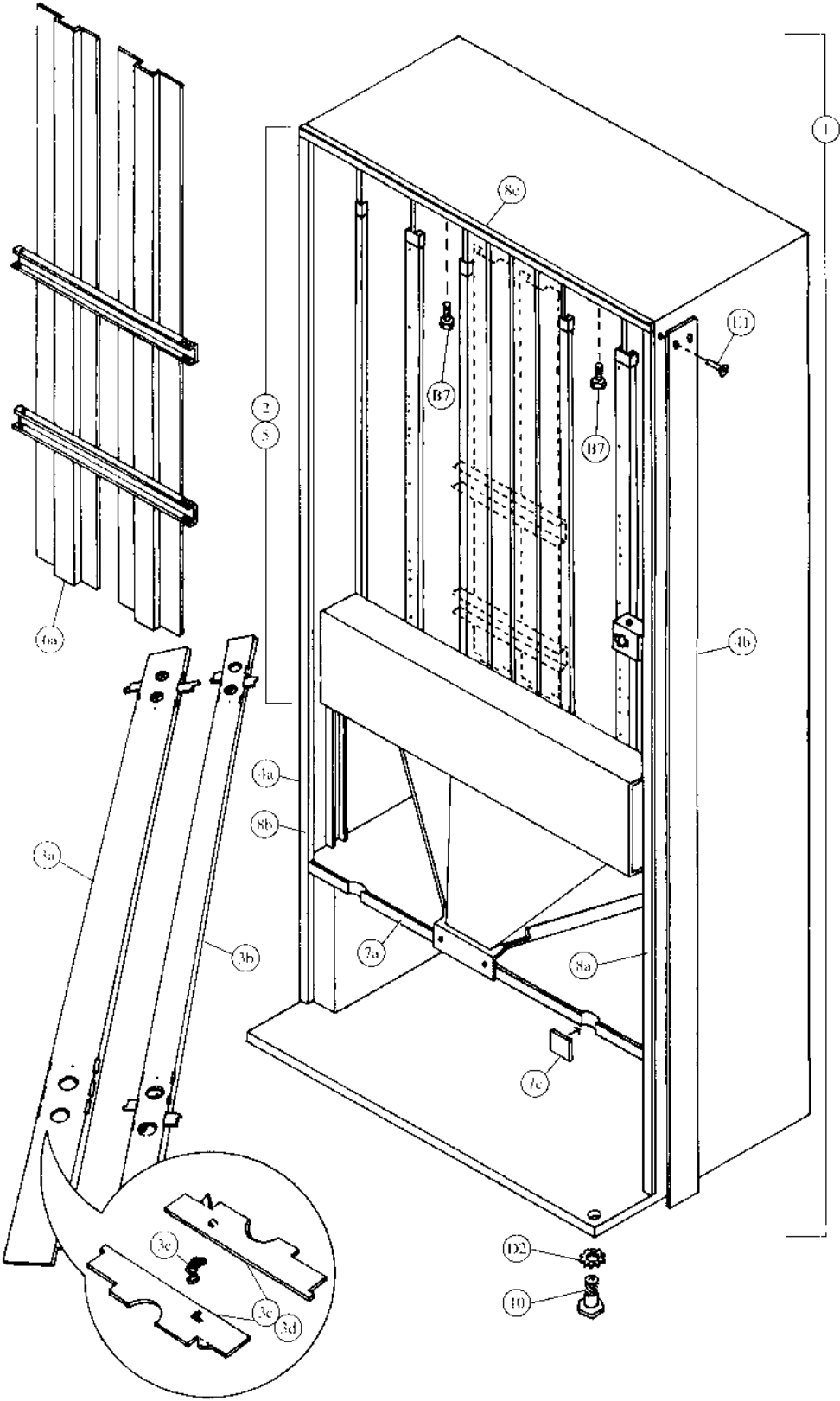
# Two-Bar Linkage & Nut Retainer Housing - Pepsi (Magnum Cir.)





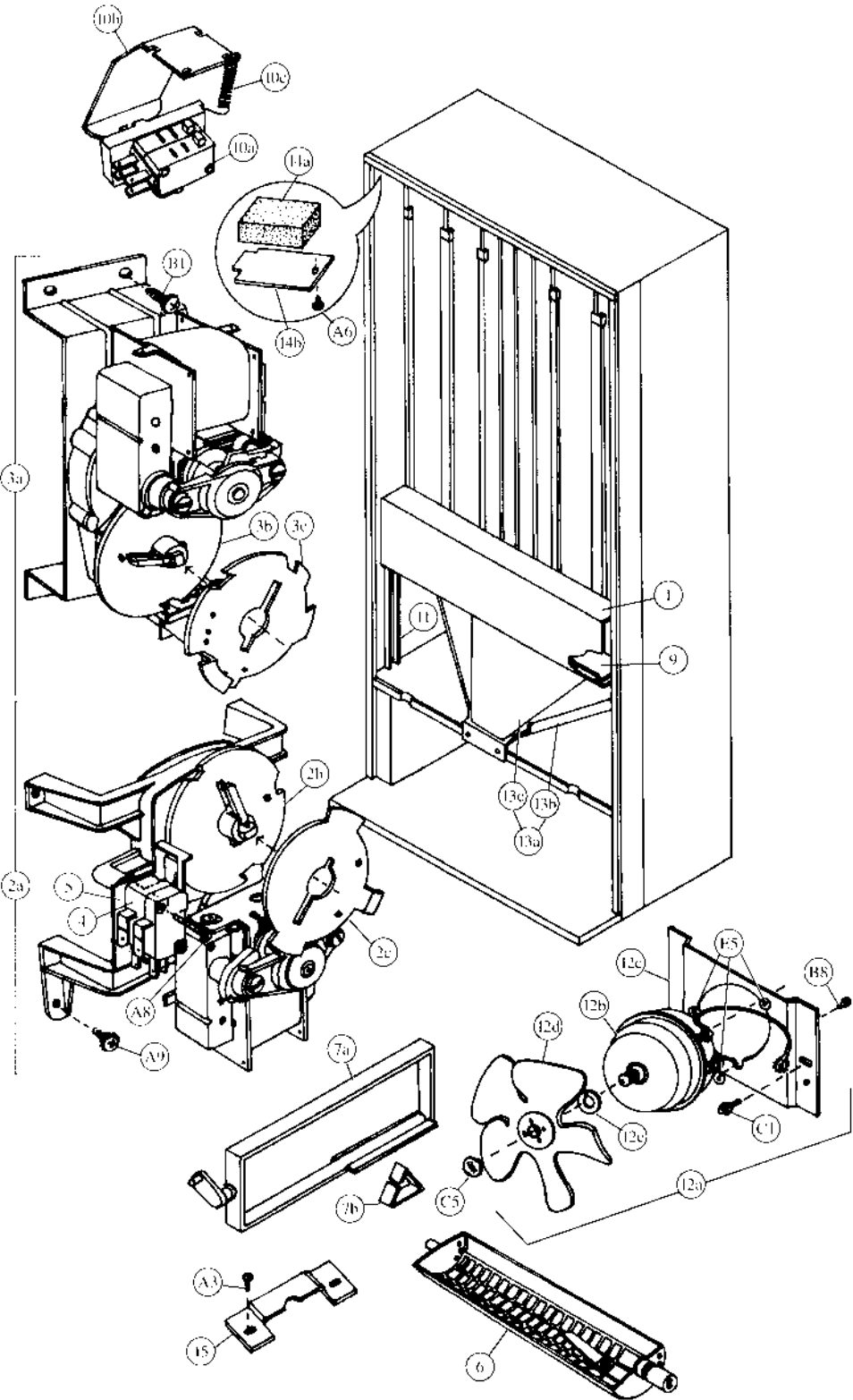


# Cabinet Interior - Pepsi (Magnum Circular)





# Cabinet & Vend Mechanism - Pepsi (Magnum Circular)

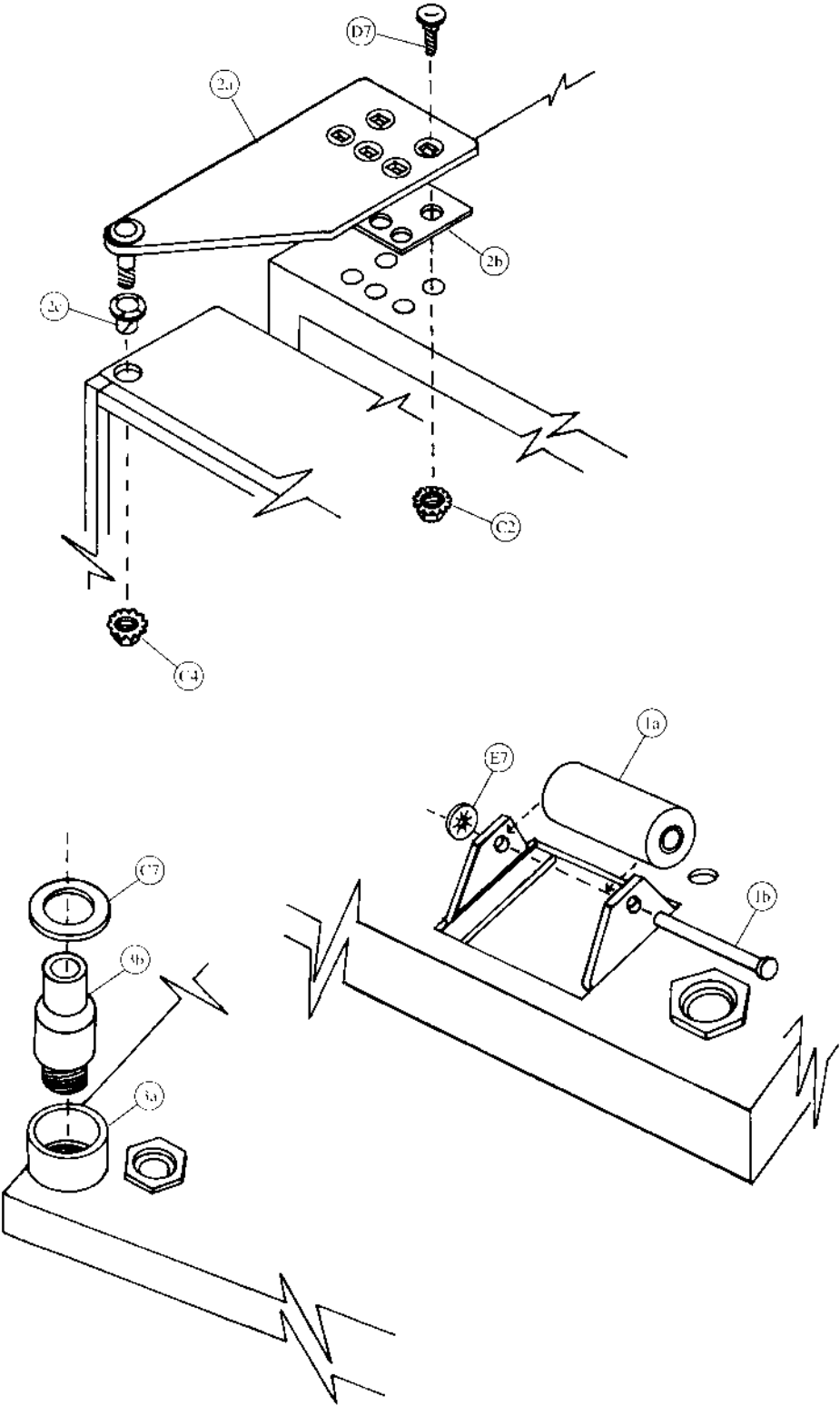


## Cabinet &amp; Vend Mechanism - Pepsi (Magnum Circular)

Item	Part Number	Part Name And Description
1	491,070,050.33	Vend Motor Cover, Wide
	491,071,200.23	Vend Motor Cover, Wide - IEC Standard
2a	See list below	Vend Motor Assembly, Wide
	491,070,300.03	Single Price
	491,170,100.03	Two/Four Price
2b	801,806,390.21	Vend Cam, Blue
2c	801,806,400.11	Adjustable Cam, Gold
3a	See list below	Vend Motor Assembly, Narrow
	491,070,400.03	Single Price (Double Switch)
	804,100,690.01	Single Price - IEC Standard (Double Switch)
	491,170,200.03	Two/Four Price (Triple Switch)
3b	804,100,700.01	Two/Four Price - IEC Standard (Triple Switch)
	801,806,180.21	Vend Cam, Brown
3c	801,806,610.21	Adjustable Cam, Brown
4	See list below	Vend Motor Switch
	804,100,600.01	Single Price (Double Switch)
	804,100,500.01	Two/Four Price (Triple Switch)
5	905,800,330.11	Vend Motor Switch Insulator
6	801,201,211.61	Vend Rotor - Narrow Column
7a	801,201,010.41	Vend Oscillator - Wide Column
7b	901,700,650.31	Can Retainer Oscillator
8a	801,803,170.01	Nyliner, Rear (not shown)
8b	901,804,230.01	Nyliner, Front - Wide Column only (not shown)
9	267,070,370.43	Wire Shield
10a	804,100,610.01	Sold Out Switch Assembly
	804,100,680.01	Sold Out Switch Assembly - IEC Standard
10b	432,070,190.13	Sold Out Paddle
10c	901,700,740.01	Sold Out Paddle Spring
11	491,020,070.33	Mechanism Support
12a	See list below	Evaporator Fan Motor Assembly
	491,000,200.03	115v
	491,140,400.03	220 - 240v
12b	See list below	Evaporator Fan Motor
	804,500,590.01	115v
	804,500,520.01	220 - 240v
12c	164,040,080.73	Evaporator Fan Motor Bracket
12d	801,303,270.11	Evaporator Fan Blade
12e	902,100,290.01	Silencer
13a	480,070,100.03	Can Chute Assembly (includes 13b & 13c)
13b	211,170,010.43	Can Chute
13c	211,070,020.43	Chute Liner (Kydex)
14a	903,300,770.01	Foam Block
14b	169,000,130.83	Hinge Pocket Cover
15	176,072,110.13	Journal

C1	900,901,510.02	Screw, Phil Pan Tapping
A3	900,301,830.01	Sems Screw #10 - 32 x 3/16 (8)
A6	900,600,230.02	Sheet Metal Screw, Type "A"
B8	900,301,690.01	Hex Tap Screw #8 - 32 x 3/8 (3)
A8	900,301,820.01	Vend Motor Screw #4 x 1 1/16 - Double Switch (16)
	900,301,610.01	Vend Motor Screw #4 x 1 1/2 - Triple Switch
A9	900,301,560.01	Sems Screw #8 - 32 x 3/8 (28)
E5	900,401,090.01	Grommet, Black Rubber #97 (3)
C5	900,800,850.01	Speed Nut
B1	900,301,850.01	Sems Screw #8 - 32 x 3/8

# Hinges and Rollers - Pepsi (Magnum Circular)









## Refrigeration - Pepsi (Magnum Circular)

Item	Part Number	Part Name And Description
1	Provide information listed	Complete Refrigeration System: Indicate unit model number from serial plate on unit base plate, refrigerant, voltage/hertz and country.
2a	Provide information listed	Compressor 1/3 HP: Indicate compressor manufacturer, voltage/hertz, refrigerant and complete manufacturer's model number.
2b	See list below	Compressor Lead Harness (not shown)
	904,900,611.01	All, except IEC Standard
	804,905,320.01	220-240v/50hz, IEC Standard
2c	902,000,570.01	Compressor Mounting Grommet
2d	900,901,880.01	Compressor Mounting Retainer Clip
2e	901,803,910.01	Compressor Grommet Plug, Plastic
3a	491,040,040.43	Condenser Base Plate
3b	See list below	Condenser Fan Motor Assembly
	491,040,200.03	115v
	491,140,300.03	220-240v
3c	See list below	Condenser Fan Motor
	804,500,670.01	115v
	804,500,700.01	220-240v
3d	800,103,370.02	Fan Blade (not shown)
4a	491,000,100.23	Drain Pan Assembly (not shown)
4b	801,804,240.51	Drain Pan, Plastic (not shown)
4c	905,800,690.01	Soaker, Fiberglass (14) (not shown)
5a	491,040,050.53	Condenser Baffle, Right Side (not shown)
5b	491,040,060.63	Condenser Baffle, Rear
6a	801,806,050.11	Drain Tube
6b	900,301,790.01	Drain Tube Nut
7a	901,900,500.01	Drain Hose
7b	900,901,030.01	Drain Hose Clamp
8	See listing below	Main Wiring Harness
	804,902,220.01 (a)	United States (shown)
	804,905,480.01 (b)	Australia, IEC 335
	804,905,490.01 (c)	United Kingdom, IEC 335
	804,902,160.21 (d)	Europe
	804,903,160.01 (e)	Mexico
	804,905,450.01 (f)	Italy
	804,905,470.01 (g)	Danish, IEC 335
804,905,360.01 (h)	Germany, with Splashwater Protector	
9	211,040,030.13	Top Fan Housing
10	802,800,410.01	Temperature Control
11	491,040,110.33	Fan Shroud Condenser
12a	Provide information listed	Relay: Indicate compressor manufacturer, model # and voltage/hz
12b	Provide information listed	Overload: Indicate compressor manufacturer, model # and voltage/hz
13	802,401,240.01	Dryer
14	802,600,550.01	Condenser
15	802,600,370.51	Evaporator
16	802,400,460.01	Accumulator
17	802,800,420.01	Knob, Temperature Control

A6	900,600,230.02	Sheet Metal Screw, Type "A" (not shown)	(2)
A9	900,301,560.01	Sems Screw #8 - 32 x 3/8	(8)
B3	900,301,810.01	Screw, #10 - 32 x 1 1/2	
D1	900,700,360.01	Lockwasher, 3/8"	(2)
F4	900,901,890.01	Tinnerman Clip	(2)
D6	900,400,440.01	Refrigeration Bolt 3/8 - 16 x 1	(2)

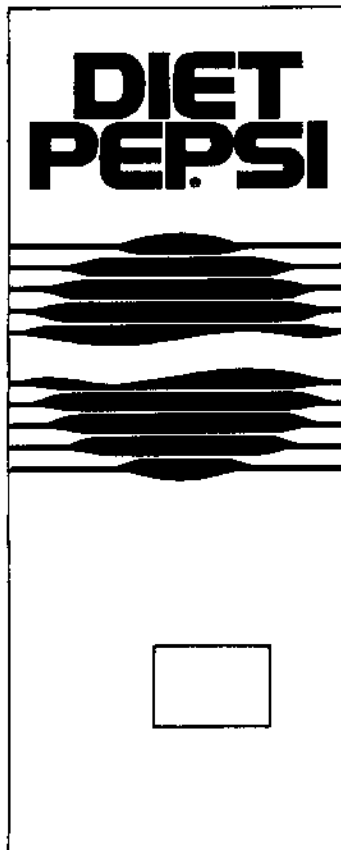
Signs and Decals - Pepsi (Magnum Circular)



①



③



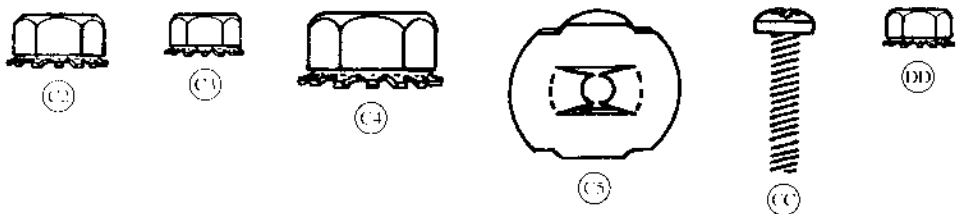
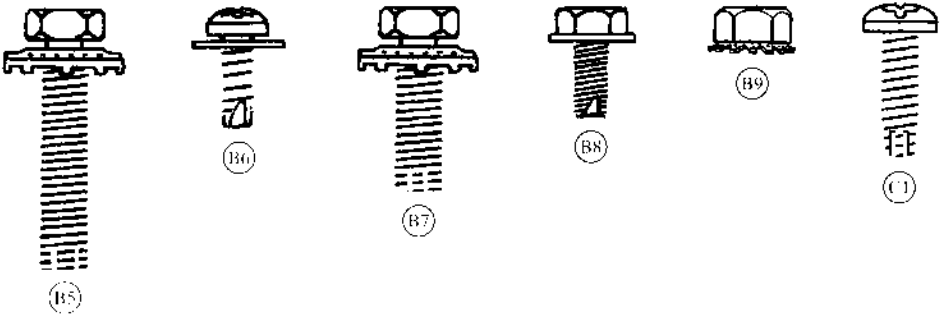
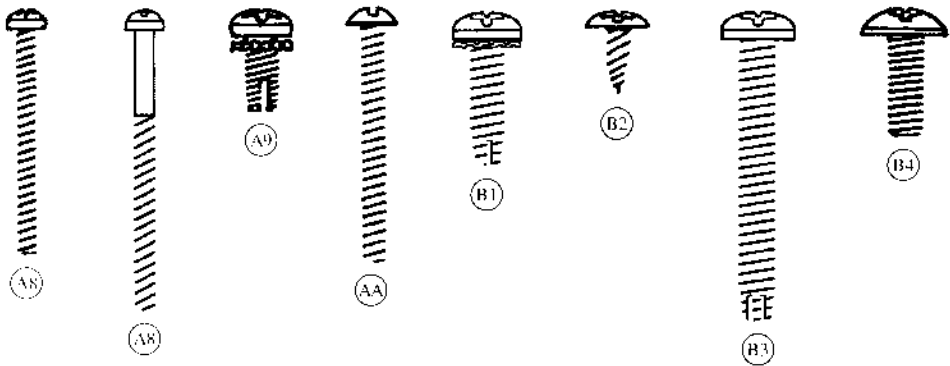
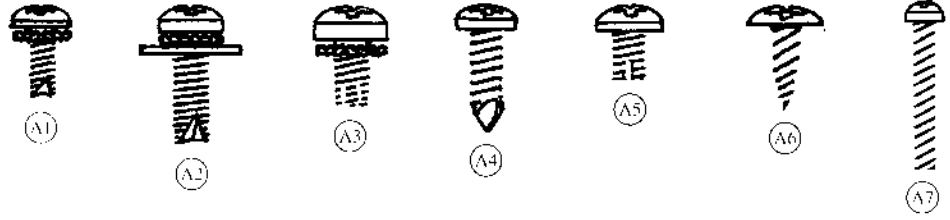
②



④



# Screws & Nuts - Pepsi (Magnum Circular)





# Washers, Bolts & Misc. - Pepsi (Magnum Circular)

